



REFERENCE GUIDE

ROAD EQUIPMENT PARTS CENTER

9
EDITION
CATALOG

an **H T I** company

Foreward

Welcome to our latest catalog, where we proudly present the culmination of over 40 years of dedication and expertise at Road Equipment Parts Center.

At the heart of our success are our core values, which guide every aspect of our operations:

GLAD TO BE HERE: We take pride in our work and are grateful for the opportunity to serve you.

SIMPLIFY: We streamline processes to make your experience as effortless as possible.

PASSION: Our enthusiasm for what we do fuels our commitment to excellence.

HANDS-ON: We believe in a practical, hands-on approach to solving your needs.

CONSISTENCY: You can rely on us for dependable service and quality, time after time.

HUMILITY: We remain grounded and focused on continuous improvement.

WILLPOWER: Our determination drives us to overcome challenges and deliver results.

For over four decades, we have honed our skills in identifying and sourcing the parts that keep your operations running smoothly. Our team is trained and developed to ensure your part needs are met with a focus on building relationships that transcend a simple transaction. We pride ourselves on our personal touch and endeavor to ensure we cover all of your heavy-duty truck and trailer needs.

Thank you for choosing Road Equipment Parts Center. We look forward to continuing to serve you with the same dedication and excellence that have defined our legacy.

Road Equipment Parts Center commitment to you:

Delivering the Hardest Heavy Duty Solutions - Together!



HINTON TRANSPORTATION INVESTMENTS



www.hintoninvestments.com

Copyright © 2025 Hinton Transportation Investments, Inc.

FleetCraft® is a registered trademark of Jomar Qsub, Inc.

All rights reserved.

No part of this catalog may be reproduced or used in any manner without the prior written permission of the copyright owner.

This catalog does not replace the advice of an Original Equipment Manufacturer (OEM). Please consult your OEM representative for application specific inquiries.

HTI.2025.002.1

ROAD EQUIPMENT PARTS CENTER

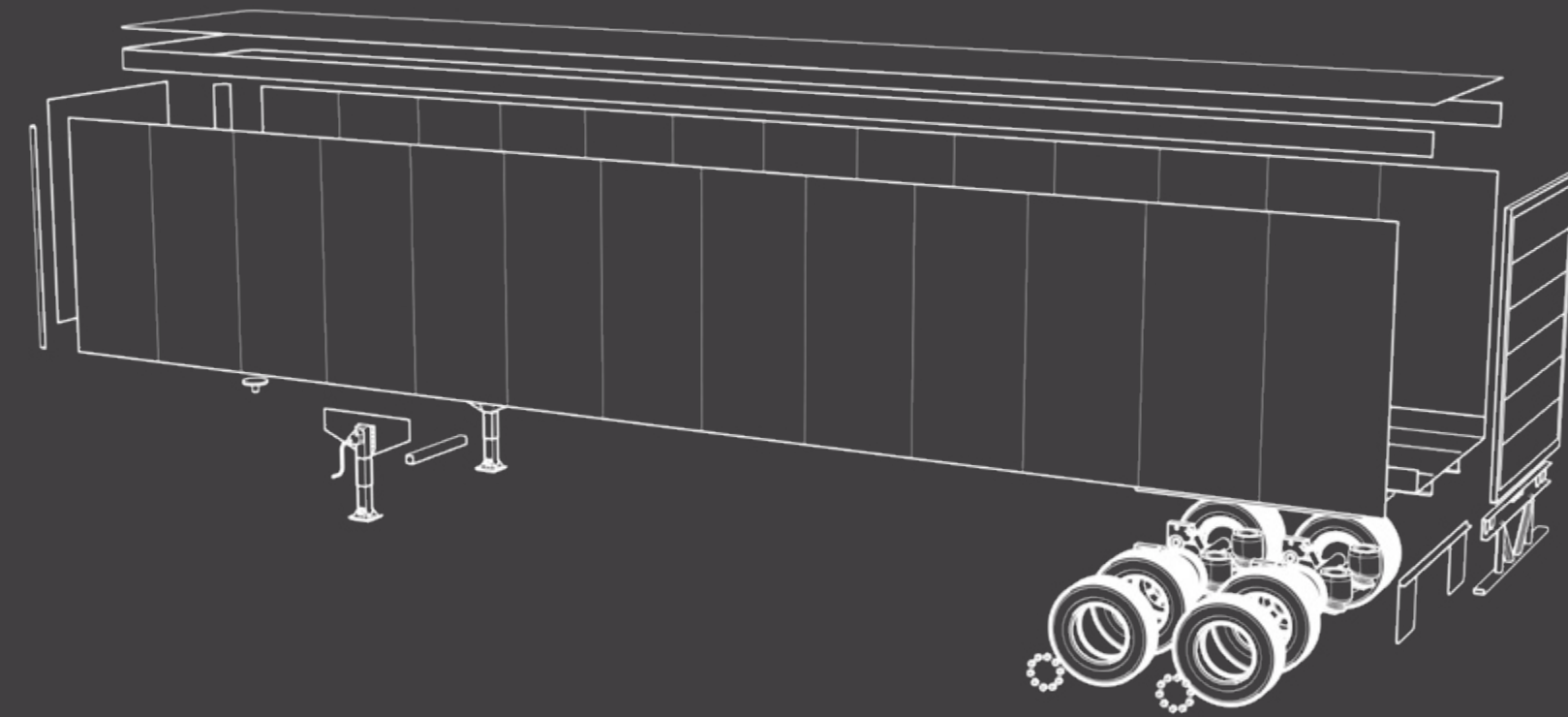


Air Systems	5	Winch Straps	61
Accessories	6	Chemical & Shop Supply	65
Gladhands	6	Additives	66
Air Brake Tubing	27	Air Brake Anti-freeze	66
Slider Hose Assemblies	27	Anti-freeze	66
Type A & B SAE J844 DOT Tubing	27	DEF	66
3-in-1 / Coiled Air	7	Diesel 9-1-1®	66
3-in-1	7	Adhesives & Sealants	67
Air Tanks	8	Adhesive Sealants	67
Bendix	10	Caulk/Sealant	67
Coiled Air Lines	7	INSTA-FOAM	67
Control / Flipper	14	Cleaners/Polish	69
Gladhand Poly Seals	7	Brake Cleaner	69
Hallex	10	CYCLO Cleaners	69
Height Control/Leveling Valves	15	Windshield Washer Fluid	69
Pressure Protection	15	Floor Sealant	70
Quick Release	15	Floor Restore	70
Relay	14	Misc Chemicals	70
Solenoid	15	Smoke Bombs	70
WABCO	11	Misc Chemicals	71
Air Dryers	17	Grease, ATF, and Oil	71
Fittings	18	Lucas Oil Products	71
ABS Valve Mounting Nipples	24	Paint & Coatings	68
Bulkhead Fittings	21	Dynatex® Sealants	68
Drain Valves	24	Spray Paint	68
Hose Barb	18	Tape	72
Nylon Tube Assembly	18	Conspicuity Tape	72
PTC — Phillips QWIK-FIT™	24	Foam Tape	72
Hose	25	Patch Tape	72
Reusable Air Brake Hose Fittings	25	Roof Bow Tape	72
Rubber Air Brake Hose Assemblies	26	Couplers	75
Aerodynamic Products	287	Accessories	90
Skirts & Components	288	Cruciform King Pins	90
Axle Components	31	Drawbars	91
Camshafts & Kits	32	Mushroom King Pins	90
Chambers	33	Pintle Hooks	90
ASA Clevis Kits	34	Slick Discs	91
Automatic Slack Adjusters	34	Turntables	91
Brakes	37	Fontaine	76
Disc Brakes	41	Fontaine Kit	76
Common Disc Brakes	42	Fontaine Plates	76
Disc Brake Table	45	Jost	77
Disc Pads	41	Jost Kits	77
Rotors	43	Jost Plates	77
Drums/Shoes	46	SAF Holland	79
Brake Drums	55	SAF Holland Kits	80
Brake Friction	50	SAF Holland Plates	79
Calipers	46	Doors	143
Cam Brake Kits	56	Door Components	144
Disc Brake Shoe Table	53	Corner Tabs	145
FleetCote System	52	Door Seal	145
Millenium & Fleetcraft Friction	54	Hinge Butts	147
Cargo Control Parts	59	Hinge Pins	148
Beams	63	Hinges	146
Binders	60	Hold Backs	148
Chains	61	Lock Rods	149
E-Tracks	61	Swing Door Blanks	144
Flat Bed	60	Vents	145
Load Bars	63	Fleetcraft	150
Load Bars & Beams	63	GP Door Panel-Wood	150
Ratchet Straps	62	GP Door Panel-Wood	150
Tarp Straps	62	Todco	164
Winches	60	TODCO 1-1/8" Door Assy	169
		TODCO 3/4" Door Assy	167

TODCO Bottom Panels	165	Electrical	93
TODCO Cable Drums	164	Cable & Wire	94
TODCO Fixtures & Hinges	165	2 & 4 Conductor Cable	94
TODCO Intermediate Panels	165	7-Way & 6-Way Cable	94
TODCO Lock & Keeper	164	Primary Wire	94
TODCO Rollers & Bearings	164	Tarp Cable	94
Transglobal	151	Coiled & Straight Elec Assemblies 95	
1" & 2" Roller Door	151	4 & 6 Way Cable Assy	95
1" Roller Door	155	7-Way Cable Assy	95
2" Roller Door	157	Bullet Connectors	96
Transglobal Cable Drums	152	Butt Connectors	96
Transglobal Fixtures & Hinges	152	Slick Discs	96
Transglobal Fixtures & Hinges	153	Turntables	91
Transglobal Lock & Keepers	152	Fontaine	76
Transglobal Lock & Keepers	153	Fontaine Kit	76
Transglobal Rollers	152	Fontaine Plates	76
Transglobal Rollers	153	Jost	77
Whiting	158	Jost Kits	77
TODCO Roll-Up Door Cables	163	Jost Plates	77
Whiting Bottom Panels	162	SAF Holland	79
Whiting Cable Drum & Bearings	159	SAF Holland Kits	80
Whiting Door Operator	162	SAF Holland Plates	79
Whiting Fixtures & Hinges	159	SAF Holland	79
Whiting Intermediate Panels	162	SAF Holland Kits	80
Whiting Lock & Keepers	159	SAF Holland Plates	79
Whiting Pull Straps	159	SAF Holland	79
Whiting Rollers	159	SAF Holland Kits	80
Whiting Roll-Up Door Cables	163	SAF Holland Plates	79
		SAF Holland	79
		SAF Holland Kits	80
		SAF Holland Plates	79
		SAF Holland	79
		SAF Holland Kits	80
		SAF Holland Plates	79
		SAF Holland	79
		SAF Holland Kits	80
		SAF Holland Plates	79
		SAF Holland	79
		SAF Holland Kits	80
		SAF Holland Plates	79
		SAF Holland	79
		SAF Holland Kits	80
		SAF Holland Plates	79
		SAF Holland	79
		SAF Holland Kits	80
		SAF Holland Plates	79
		SAF Holland	79
		SAF Holland Kits	80
		SAF Holland Plates	79
		SAF Holland	79
		SAF Holland Kits	80
		SAF Holland Plates	79
		SAF Holland	79
		SAF Holland Kits	80
		SAF Holland Plates	79
		SAF Holland	79
		SAF Holland Kits	80
		SAF Holland Plates	79
		SAF Holland	79
		SAF Holland Kits	80
		SAF Holland Plates	79
		SAF Holland	79
		SAF Holland Kits	80
		SAF Holland Plates	79
		SAF Holland	79
		SAF Holland Kits	80
		SAF Holland Plates	79
		SAF Holland	79
		SAF Holland Kits	80
		SAF Holland Plates	79
		SAF Holland	79
		SAF Holland Kits	80
		SAF Holland Plates	79
		SAF Holland	79
		SAF Holland Kits	80
		SAF Holland Plates	79
		SAF Holland	79
		SAF Holland Kits	80
		SAF Holland Plates	79
		SAF Holland	79
		SAF Holland Kits	80
		SAF Holland Plates	79
		SAF Holland	79
		SAF Holland Kits	80
		SAF Holland Plates	79
		SAF Holland	79
		SAF Holland Kits	80
		SAF Holland Plates	79
		SAF Holland	79
		SAF Holland Kits	80
		SAF Holland Plates	79
		SAF Holland	79
		SAF Holland Kits	80
		SAF Holland Plates	79
		SAF Holland	79
		SAF Holland Kits	80
		SAF Holland Plates	79
		SAF Holland	79
		SAF Holland Kits	80
		SAF Holland Plates	79
		SAF Holland	79
		SAF Holland Kits	80
		SAF Holland Plates	79
		SAF Holland	79
		SAF Holland Kits	80
		SAF Holland Plates	79
		SAF Holland	79
		SAF Holland Kits	80
		SAF Holland Plates	79
		SAF Holland	79
		SAF Holland Kits	80
		SAF Holland Plates	79
		SAF Holland	79
		SAF Holland Kits	80
		SAF Holland Plates	79
		SAF Holland	79
		SAF Holland Kits	80
		SAF Holland Plates	79
		SAF Holland	79
		SAF Holland Kits	80
		SAF Holland Plates	79
		SAF Holland	79
		SAF Holland Kits	80
		SAF Holland Plates	79
		SAF Holland	79
		SAF Holland Kits	80
		SAF Holland Plates	79
		SAF Holland	79
		SAF Holland Kits	80
		SAF Holland Plates	79
		SAF Holland	79
		SAF Holland Kits	80
		SAF Holland Plates	79
		SAF Holland	79
		SAF Holland Kits	80
		SAF Holland Plates	79
		SAF Holland	79
		SAF Holland Kits	80
		SAF Holland Plates	79
		SAF Holland	79
		SAF Holland Kits	80
		SAF Holland Plates	79
		SAF Holland	79
		SAF Holland Kits	80
		SAF Holland Plates	79
		SAF Holland	79
		SAF Holland Kits	80
		SAF Holland Plates	79
		SAF Holland	79
		SAF Holland Kits	80
		SAF Holland Plates	79
		SAF Holland	79
		SAF Holland Kits	80
		SAF Holland Plates	79
		SAF Holland	79
		SAF Holland Kits	80
		SAF Holland Plates	79
		SAF Holland	79
		SAF Holland Kits	80
		SAF Holland Plates	79
		SAF Holland	79
		SAF Holland Kits	80
		SAF Holland Plates	79
		SAF Holland	79
		SAF Holland Kits	80
		SAF Holland Plates	79
		SAF Holland	79
		SAF Holland Kits	80
		SAF Holland Plates	79
		SAF Holland	79
		SAF Holland Kits	80
		SAF Holland Plates	79
		SAF Holland	79
		SAF Holland Kits	80
		SAF Holland Plates	79
		SAF Holland	79
		SAF Holland Kits	80
		SAF Holland Plates	79
		SAF Holland	79 </



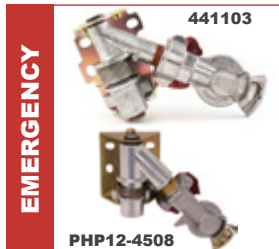
**ROAD EQUIPMENT
PARTS CENTER**



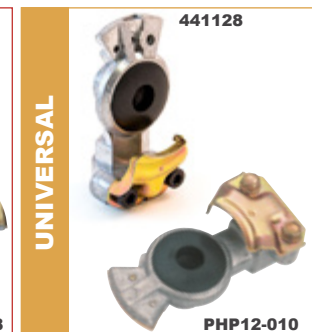
Air Systems



Gladhands



180° Swivel Gladhands — 45° Angle Aluminum Body — 3/8" Open Port				
Part No.	Type	Seal	Bottom Port	Back Port
441102	Service	Black Poly	Plugged	Open
PHP12-4506		Rubber	--	--
441103	Emergency	Black Poly	Plugged	Open
PHP12-4508		Rubber	--	--

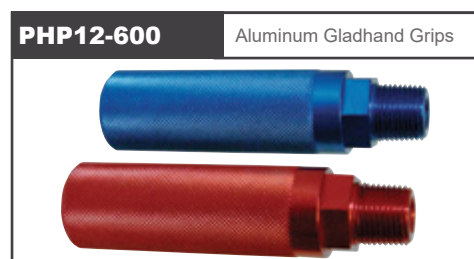


Straight Gladhands—Aluminum Body—1/2" Open Port				
Part No.	Type	Seal	Filter	Plug
441126	Service	Rubber	--	--
PHP12-006			No	--
441127	Emergency		--	--
PHP12-008			No	--
441128	Universal		--	--
PHP12-010		No	--	



37° Gladhands — 3/8" Open Port					
Part No.	Type	Body	Seal	Filter	Plug
F36161	Service	Aluminum	Rubber	Yes	Yes
PHP12-236		Anodized	Blue Poly	Quick-Release	
F36261	Emergency	Aluminum	Rubber	Yes	Yes

Accessories



Gladhand Poly Seals

Part No.	Type	Color	Material	Filter
GT-2601	Emergency	Red	Poly	--
GT-2601WS	Emergency	Red	Poly	Yes
GT-2602	Service	Blue	Poly	--
GT-2602WS	Service	Blue	Poly	Yes
GT-2603	Universal	Black	Poly	--
GT-2604	Universal	Black	Poly	Dustflap



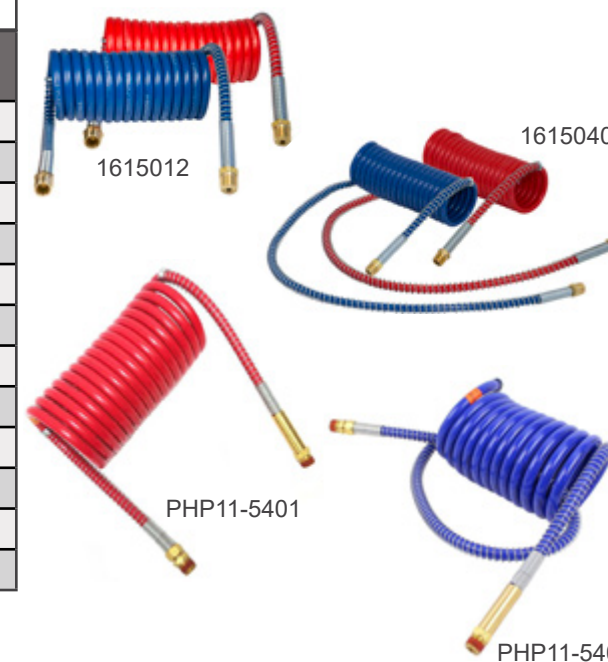
3-in-1

Air-Electric Cables — Plastic		
Part No.	Description	Length
163140	Service, Emergency, and 7-Way Spiral Wrapped Cables	12'
163141		15'



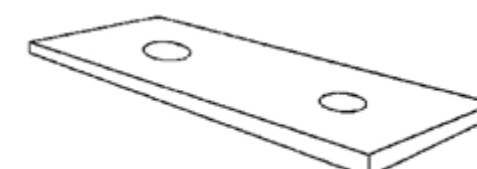
Coiled Air Lines

Nylon Coiled Air — 150 PSI Rating					
Part No.	Type	Working Length	Lead 1	Lead 2	Handle
1615012	Set	15'	12"	12"	No
1615040	Set	15'	12"	40"	No
7100130	Slider	54"	--	--	--
1615012B	Blue	15'	12"	12"	No
1615012R	Red	15'	12"	12"	No
1615040B	Blue	15'	12"	40"	No
1615040R	Red	15'	12"	40"	No
PHP11-340	Set	15'	1/2"	1/2"	Yes
PHP11-3400	Set	15'	12"	40"	Yes
PHP11-5400	Set	15'	40"	12"	Yes
PHP11-5401	Red	15'	40"	12"	Yes
PHP11-5402	Blue	15'	40"	40"	Yes



Air Tank Mounting Pad

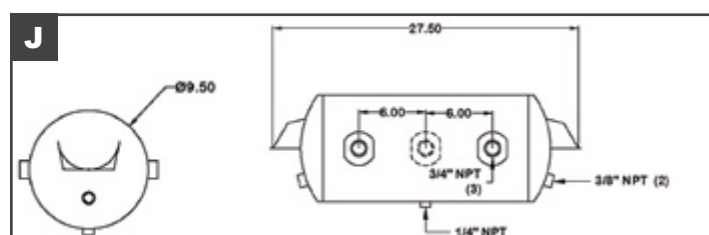
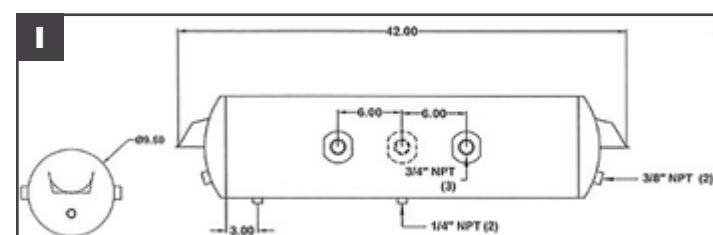
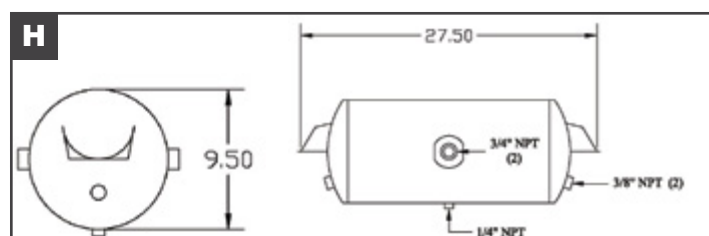
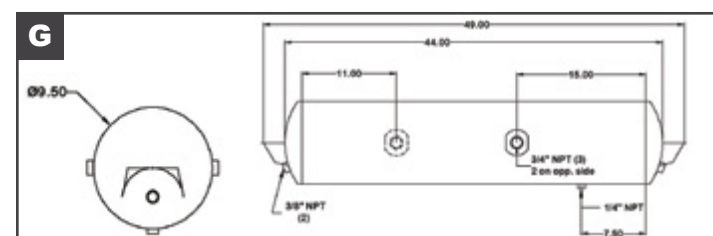
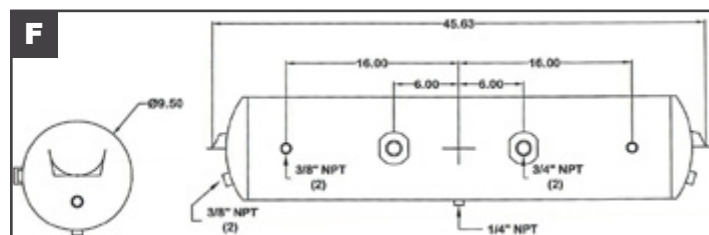
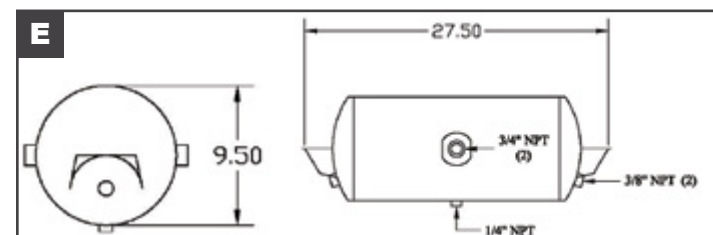
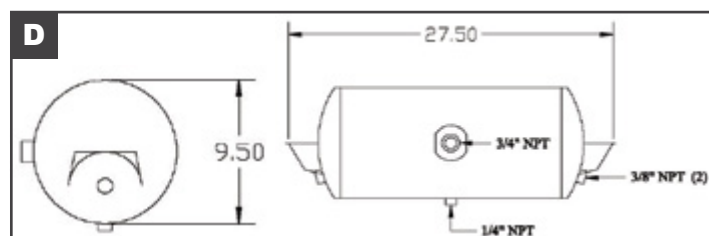
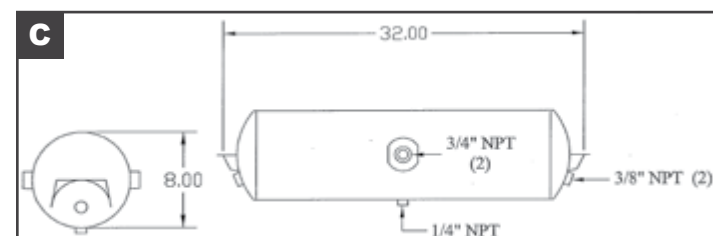
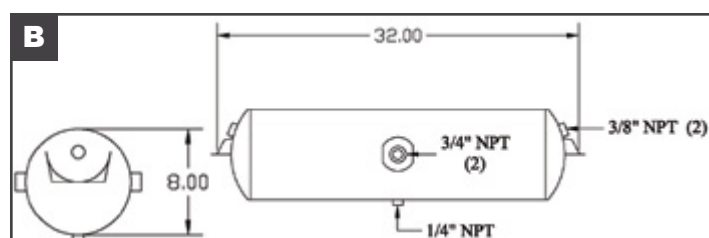
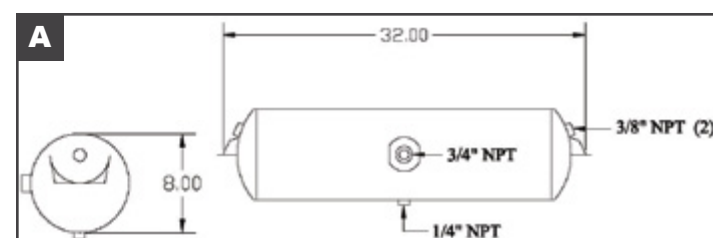
Part No.	Description	Width
HT-1068	Mounting Pad for Air Tanks, Rubber	3/16"



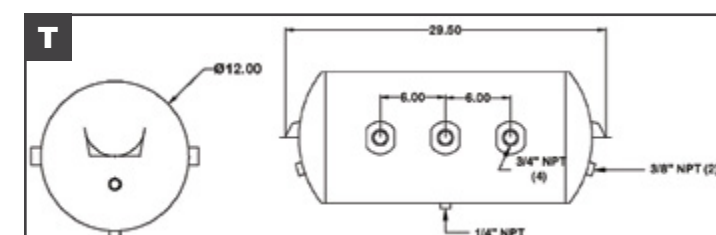
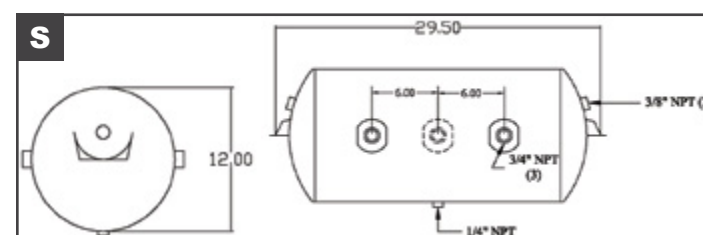
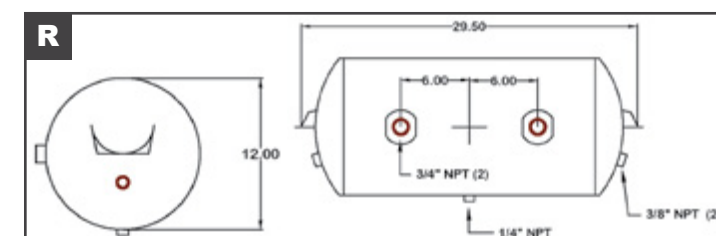
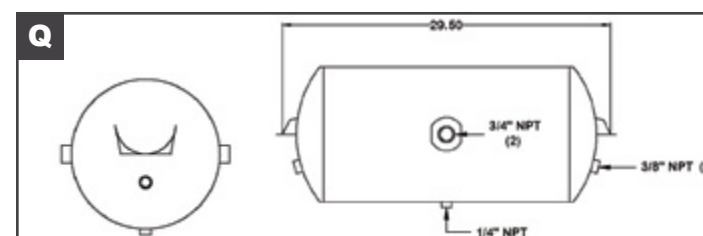
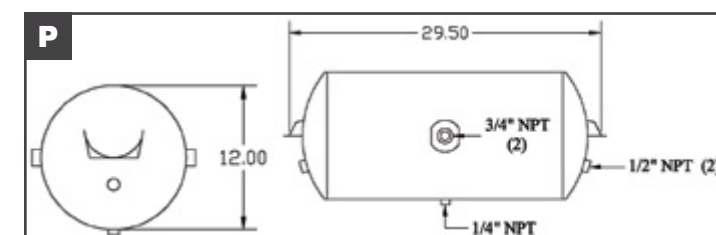
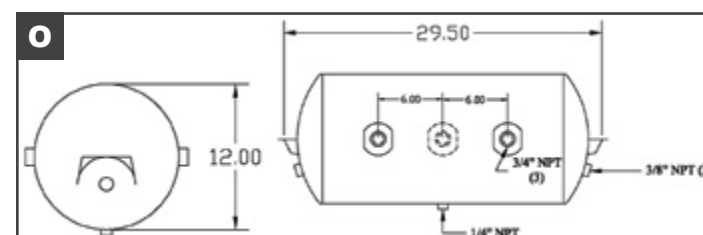
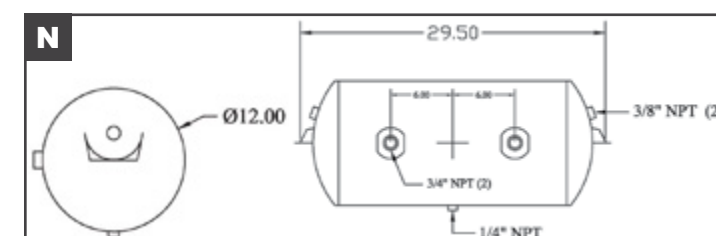
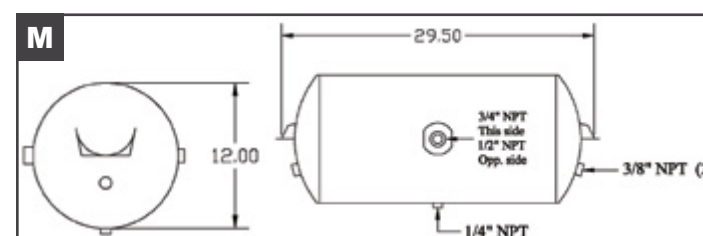
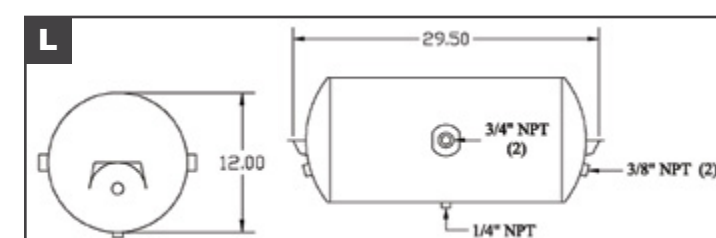
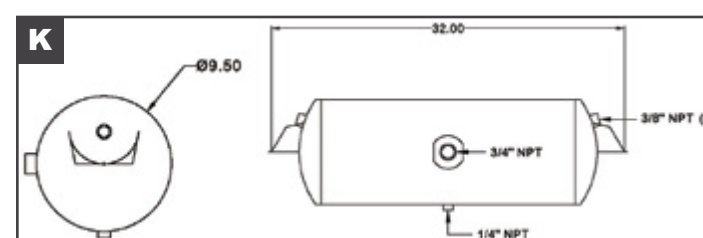


Air Tanks

Part No.	Image	Diameter	Length	Main Ports (NPT)	Drain Port (NPT)	End Port (NPT)
HT-1205	A	12"	29-1/2"	(2) 3/4"	(1) 1/4"	(2) 3/8"
HT-12100	B	12"	29-1/2"	(1) 1/2" (1) 3/4"	(1) 1/4"	(2) 3/8"
HT-1217	C	12"	29-1/2"	(2) 3/4"	(1) 1/4"	(2) 3/8"
HT-1219	D	12"	29-1/2"	(3) 3/4"	(1) 1/4"	(2) 3/8"
HT-1235	E	12"	29-1/2"	(2) 3/4"	(1) 1/4"	(2) 1/2"
HT-1242	F	12"	29-1/2"	(2) 3/4"	(1) 1/4"	(2) 3/8"
HT-1249	G	12"	29-1/2"	(2) 3/4"	(1) 1/4"	(2) 1/2"
HT-1254	H	12"	29-1/2"	(3) 3/4"	(1) 1/4"	(2) 1/2"
HT-1294	I	12"	29-1/2"	(4) 3/4"	(1) 1/4"	(2) 3/8"
HT-8001	J	8"	32"	(1) 3/4"	(1) 1/4"	(2) 3/8"



Part No.	Image	Diameter	Length	Main Ports (NPT)	Drain Port (NPT)	End Port (NPT)
HT-8007	K	8"	32"	(2) 3/4"	(1) 1/4"	(2) 3/8"
HT-8052	L	8"	32"	(2) 3/4"	(1) 1/4"	(2) 3/8"
HT-9500	M	9-1/2"	27-1/2"	(1) 3/4"	(1) 1/4"	(2) 3/8"
HT-9508	N	9-1/2"	27-1/2"	(2) 3/4"	(1) 1/4"	(2) 3/8"
HT-95155	O	9-1/2"	45.63	(2) 3/4"	(1) 1/4"	(2) 3/8"
HT-95239	P	9-1/2"	49"	(3) 3/4"	(1) 1/4"	(2) 3/8"
HT-9534	Q	9-1/2"	27-1/2"	(2) 3/4"	(1) 1/4"	(2) 3/8"
HT-95354	R	9-1/2"	42"	(3) 3/4"	(2) 1/4"	(2) 3/8"
HT-9553	S	9-1/2"	27-1/2"	(3) 3/4"	(1) 1/4"	(2) 3/8"
HT-9598	T	9-1/2"	32"	(1) 3/4"	(1) 1/4"	(2) 3/8"





Bendix



TABS-6™ Trailer ABS Module — Universal	
Part No.	Ports
BNX801856	DEL: 3/8" NPT (x4); SUP: 3/4"NPT; CON: 3/8" NPT

TABS-6™ Trailer ABS Module — 2S/1M		
Part No.	Ports	Note
BNXK109808	DEL: 3/8" NPT (x4); SUP: 3/4"NPT; CON: 3/8" NPT	ECU Only
BNXK100247	DEL: 3/8" NPT (x4); SUP: 3/4"NPT; CON: 3/8" NPT	Kit

Kit Includes	
• ECU Valve Assembly - 6 Port	• 90° Sensors (x2)
• Power Cable	• Sensor Extensions (x2)

TABS-6™ Advanced Trailer ABS with Roll Stability — 2S/1M		
Part No.	Ports	Mounting
BNXK029141	DEL: 3/8" NPT (x4); SUP: 3/4"NPT; CON: 3/8" NPT; LOAD: 3/8" NPT	270° w/ 10" Offset on Curbside

Trailer ABS Module — 4S/2M		
Part No.	Ports	Note
BNXK108581	DEL: 3/8" NPT (x4); SUP: 3/4"NPT; CON: 3/8" NPT	TABS-6™
BNXK109326	DEL: 3/8" NPT (x4); SUP: 3/4"NPT; CON: 3/8" NPT; LOAD: 3/8" NPT	TABS-6™ Advanced

Power Cables			
Part No.	Length	Connection 1	Connection 2
BNX801996	60"	5-Way Sealed (Male)	5-Way Sealed (Female)

Extension Cables			
Part No.	Length	Connection 1	Connection 2
BNX802026	120"	2-Pin Standard (Socket)	2-Pin Standard (Plug)

Sensors			
Part No.	Body	Length	Connection
BNXK181268	Straight	78"	2-Pin Barrel Sealed (Conn7)
BNXK221564	90°	12"	2-Pin Barrel Sealed (Socket)
BNXK221570	90°	90"	2-Pin Barrel Sealed (Socket)

BNXK221570

Haldex



Part No.	Description
HLXAQ960510	ABS - Universal PLC 2S/1M Replacement Kit

Kit Includes	
• PLC Select Valve ECU Assembly - 6 Port	• 6.6' Sensor Extensions (x2)
• 19' Power Cord Extension	• Installation Instructions
	• PLC Service Manual

Part No.	Description
HLXAQ964110	ABS PLC Select ECU Upgrade Kit - 2S/1M

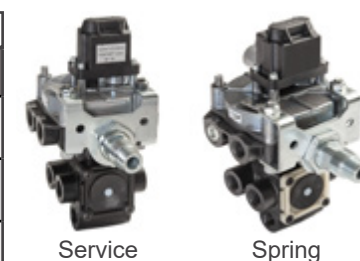
Kit Includes	
• 1M Power Cord Extension	• Tie Down Clips (HLXAL920809)
• 0.5M Sensor Extensions	
• PLC Select ECU & Bracket	



PLC Select 1M ECU		
Part No.	Application	Description
HLXAL919338	Multi-Axle (Non-Steer Axles)	• Wheel-speed Sensor and Trailer Power connects directly to ECU - No intermediate cables required • Single fastener design assures easy serviceability
HLXAL919339	Dollies & Single Axle	• Potted ECU Enclosure provides excellent protection from the environment • PLC Select 1M supports all 2S/1M applications

Haldex

FFABS Valves — 12V — 4.0PSI Crack Pressure		
Part No.	Ports	Priority
HLXAL430614	DEL: 3/8" (x4); SUP: 3/8" (w/ filter); CON: 3/8"; SBP: 3/8" (x4); RES: 1/2" 3/4" Nipple (Includes two pipe plugs in box for bottom ports)	Service Brake
HLXAL430668	DEL: 3/8" (x4); SUP: 3/8" (w/ filter); CON: 3/8"; SBP: 3/8" (x4); RES: 1/2" 3/4" Nipple	Service Brake
HLXAL430624	DEL: 3/8" (x4); SUP: 3/8" (w/ filter); CON: 3/8"; SBP: 3/8" (x4 w/ 2 pipe plugs for bottom ports); RES: 1/2" 3/4" Nipple	Spring Brake
HLXAL430664	DEL: 3/8" (x2); SUP: 3/8" (w/ filter); CON: 3/8"; SBP: 3/8" (x4); RES: 1/2" 3/4" Nipple	Spring Brake



ITCM ECU— 4S/2M or 2S/2M — 12V	
Part No.	Description
HLXAL919348	A7 for Multi-Axle
HLXAL919352	A8 BMS-3 for Dollies & Single Axle



Sensors — w/ Clip		
Part No.	Body	Length
HLXAL1027196	Straight	19.2"
HLXAL364071	90°	108"
HLX1810000	90°	19.2"



Relay Valves — 12V	
Part No.	Ports
HLXAL364040	DEL: 3/8" (x2); CON: 3/8"; RES: 1/2"



Power Cables — Blunt Cut 5-Pin		
Part No.	Length	ABS Lamp Lead
HLXAL918604	630"	315"
HLXAL918606	192"	120"

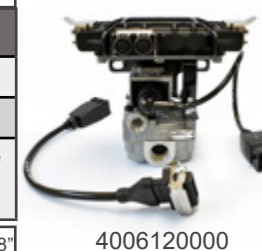


Part No.	Description
HLXAL920809	Retaining Clip for ABS Sensor Wire



WABCO

Enhanced Easy-Stop™—2S/1MRetrofitKit	
Part No.	Description
4006120000	ECU Valve Kit
4005001010	ECU Valve Assembly
S8946073120	12" Adapter Power Cable (Easy-Stop to Enhanced Easy-Stop)



Enhanced Easy-Stop™—2M,3MRetrofitKit	
Part No.	Description
4006120100	ECU Valve Retrofit Kit
4005001030	ECU Valve Assembly
S8946073120	12" Adapter Power Cable (Easy-Stop to Enhanced Easy-Stop)



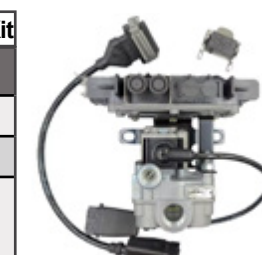
Enhanced Easy-Stop™—2S/1MRetrofitKit	
Part No.	Description
4006120010	ECU Valve Kit w/ Y Adapter
4005001010	ECU Valve Assembly
S8946073130	Adapter Power Cable (With Diagnostic)



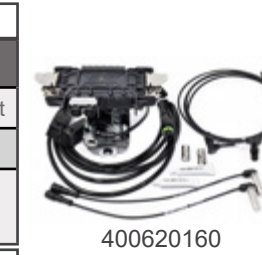
Enhanced Easy-Stop™ — 4S/2MRetrofit Kit	
Part No.	Description
4006120110	ECU Valve Retrofit Kit
4005001030	ECU Valve Assembly
S8946073130	Adapter Power Cable (With Diagnostic)



Enhanced Easy-Stop™—2S/1MRetrofitKit	
Part No.	Description
4006120120	TCS2 ECU Valve Kit
4005001040	ECU Valve Assembly
S8946073120	12" Adapter Power Cable (Easy-Stop to Enhanced Easy-Stop)



Universal — 2S/1M Retrofit Kit	
Part No.	Description
4006120160	Universal ABS Retrofit Kit
4005001010	ECU Valve Assembly
Includes: 14' Power Cable, Sensors w/ 18" Leads (x2), 6' Sensor Extension Cables (x2), Sensor Clips (x2)	





WABCO

WABCO



4006120090

ECAS Solenoid Modulator Valve Kit	
Part No.	Description
4006120090	Modulator Valve Kit (For Trailers Prior to 4/1/99)
4721950330	Relay Only
8946011322	3-Pole Adapter Cable - 6"

Ports: DEL: 3/8" (x4); SUP: 3/4" (x2); CON: 3/8"



WBC4005004200

Air Valves — iABS Modules	
Part No.	Description
WBC4005003200	2S/1M Standard
WBC4005004200	2S/2M, 4S/2M Standard



WBC4497330180

iABS Power Cables	
Part No.	Length
WBC4493060300	118"

iABS Extension Cables	
Part No.	Length
WBC4497330180	70.9"
WBC4497330300	118"

WABCO's iABS Trailer ABS is an electronic, self-monitoring system that works with standard air brakes. In addition, iABS includes Power Line Carrier (PLC) capability and CAN capability.



4005001030

Enhanced Easy-Stop™ — 2S/1M Basic	
Part No.	Description
4005001010	ECU Valve Assembly
4461082010	ECU Only
4721950330	Relay Only

Ports: DEL: 3/8" (x4); SUP: 3/4" (x2); EXH: 3/4"; CON: 3/8"

Enhanced Easy-Stop™ — 4S/2M Premium	
Part No.	Description
4005001030	ECU Valve Assembly
4008506010	ECU Only
4008506020	Relay Only

Ports: DEL: 3/8" (x6); SUP: 3/4" (x2); CON: 1/4"



4005001040

Enhanced Easy-Stop™ — 2S/2M Standard	
Part No.	Description
4005001020	ECU Valve Assembly
4008506000	ECU Only
4008506020	Relay Only

Ports: DEL: 3/8" (x6); SUP: 3/4" (x2); CON: 1/4"

Enhanced Easy-Stop™ — 2S/1M MAR	
Part No.	Description
4005001040	ECU Valve Assembly
4461082040	ECU Only
4721950330	Modulator Valve - Bayonet
4784070584	Bracket

Ports: DEL: 3/8" (x4); SUP: 3/4" (x2); CON: 3/8"



4493510100

Power Cables — Blunt Cut to 4-Pin	
Part No.	Length
4493150300	120"
4493151500	588"

Power Cables — Roll Stability Support Plus	
Part No.	Length
4493510100	39.4"
WBC4493510470	185"



8946049440

Power Cables — Standard to 4-Pin	
Part No.	Length
8946049440	36"
8946060380	185"

Control Line Filter — Mounts at Gladhand	
Part No.	Ports
4325000050	1/2" (x2)

90° Right Angle Sensor Kits		
Fleet-Craft	WABCO	Cable Lead
FC5335	4410309072	12"
FC5336	4410309182	36"
FC5341	4410309092	70"
FC5342	4410309102	78"



FC5335

90° Right Angle Sensors (Sensor Only)	
Part No.	Cable Lead
1810002	12"



Sensor Accessories	
Part No.	Description
S2255U1113	Sensor Holder (Welded to Axle Spindle)
1810001	Sensor Clip



S2255U1113

1810001

Straight Sensor Kits		
FleetCraft	WABCO	Cable Lead
--	4410309042	39.4"
FC5329	4410309172	67"
FC5338	4410309082	70"



FC5329

Sensor Extension Cables	
Part No.	Length
FC7130180	72"
4497130180	120"
4497130300	180"
4493260470	180"
4497130500	192"



FC7130180

Sensor Extension Cables — Roll Stability Support Plus			
Part No.	Length	Connection 1	Connection 2
4497230180	185"	2-Pin Standard (Plug)	4-Pin (Code A)



Air Systems | ABS

Air Systems | ABS



Brake/Spring Brakes

Trailer Emergency Valve—Spring Brake Priority

Part No.	Ports
51301	DEL: 3/8" (x4); SUP: 1/4"; CON: 1/4"; RES: 3/4"

Standard Spring Brake Control Valve

Part No.	Ports
110500	DEL: 3/8" (x4); SUP: 3/8"; CON: 3/8"; RES: 1/2"

Protected Reservoir Spring Brake Control Valves

Part No.	Ports	Cover Plate
110170	DEL: 3/8" (x4); SUP: 3/8"; CON: 3/8"; RES-A: 1/2"; RES-B: 1/2"	Standard
110171	DEL: 3/8" (x4); SUP: 3/8"; CON: 3/8"; RES-A: 1/2"; RES-B: 3/8"	90°

Enhanced Spring Brake Control Valve

Part No.	Ports
110700	DEL: 3/8"; SUP: 3/8"; CON: 3/8"; RES: 1/2"
110800	DEL: 3/8" (x4); SUP: 3/8"; CON: 3/8"; RES: 1/2"

110171: Supply & Control Ports In-line with Reservoir Ports

SR-5 Spring Brake Valve

Part No.	Ports
BNXK033221	DEL: 3/8" (x4); SUP: 1/4"; RES: 1/4" (x2); TSP: 1/4"; SBP: 3/4" (w/ Check Valve)
BNXK033223	DEL: 3/8" (x4); SUP: 1/4"; RES: 1/4" (x2); TSP: 1/4"; SBP: 1/2" (w/ Check Valve)

Relay

Service Relay Valves

Part No.	Ports	Crack Press.	Delivery
110410	DEL: 3/8"; CON: 3/8"; RES: 1/2"	4.0 PSI	Vertical
110415	DEL: 3/8" (x4); CON: 3/8"; RES: 3/4"	4.0 PSI	Vertical



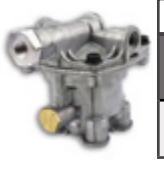
R-12 Relay Valves

Part No.	Ports	Crack Press.	Delivery
BNX065104	DEL: 3/8" (x4); SUP: 1/2"; CON: 1/4"	4.0 PSI	Vertical
BNX065125	DEL: 1/2" (x2); SUP: 1/2" (x2); CON: 1/4"	5.5 PSI	Horizontal



Emergency Relay Valves

Part No.	Ports	Crack Press.	Delivery
110470	DEL: 3/8" (x4); SUP: 3/8"; CON: 3/8"; RES: 3/4"	4.5 PSI	Vertical



FAB Relay Valves

Part No.	Ports	Crack Press.	Delivery
HLXKN28300	DEL: 1/2" (x2); SUP: 1/2" (x2); CON: 3/8"	0 PSI	Horizontal



FF2 - Full Function Trailer Valves

Part No.	Ports	Crack Pressure	Delivery Orientation
FC28600	DEL: 3/8" (x4); SUP: 3/8"; CON: 1/4"; RES: 3/4"; SBP: 3/8" (x2)	3.0 PSI	Vertical
HLXKN28600	DEL: 3/8" (x4); SUP: 3/8"; CON: 1/4"; RES: 3/4"; SBP: 3/8" (x2)	3.0 PSI	Vertical
FC28601	DEL: 3/8" (x4); SUP: 3/8"; CON: 1/4"; RES: 1/2"; SBP: 3/8" (x2)	3.0 PSI	Vertical
HLXKN28601	DEL: 3/8" (x4); SUP: 3/8"; CON: 1/4"; RES: 1/2"; SBP: 3/8" (x2)	3.0 PSI	Vertical



Control / Flipper



Flipper Lever Control Valves

Part No.	All Ports	Notes
21600	1/8" NPT	With Face Plate
FC229635	1/8" NPT	Substitute for BNX229635N
BNX229635N	1/8" NPT	TW-1™



Manually Operated On/Off Valve

Part No.	All Ports
HLX90054088	1/8" NPT

Height Control/Leveling Valves



Height Control Valves					
Part No.	Ports	Arm	Dump	Application	Notes
HLX90054007	All Ports: 1/8" (x3) w/ 1/4" fitting	4.125", 7.125"	No	OE on Truck/Trailer	--
HLX90555100	DEL: 3/8" (x2); SUP: 3/8"; PIL: 1/4" (Push to Connect Fittings)	5.5" w/ Vertical Adjustment	Yes	?	PR Plus; Side Manifold
HND057977-000	All Ports: 1/4" (x5)	7" w/ Vertical Adjustment	Yes	Truck	Dump Valve Kit
HNDVS-227	All Ports: 1/4" (x3)	Dual Length Arm: 5", 6.8", 7.5"	No	Trailer	--
HNDVS-228	All Ports: 1/4" (x5)	Lever Arm: 5", 7.4", or 8.5"	Yes	Trailer	--
HNDVS-27116	DEL: 3/8" (x2); SUP: 1/4" (x2); PIL: 1/4"; DMP: 3/8"	8.5"	Yes	?	--

Manual Dump Valve Kit — 1/4" Ports (x4)

Part No.	Description
HNDAKEM0005-1	Kit (includes HNDVS-30428 & HNDVS-30427)
HNDVS-30428	Manual Push/Pull Dump Valve
HNDVS-30427	Mounting Bracket



Linkage Components

Part No.	Description
HNDS-14187	Bolt-On Adjustable Link Assembly
HLX48100225	19-5/8" Max Adjustable Linkage
HLX48100267	13-1/2" Max Adjustable Linkage
HLX90054630	Universal Connector

Pressure Protection

Pressure Protection Valves

Part No.	Img	Ports	Open Pressure	Closed Pressure
140280	A	3/8" NPT	--	70 PSI
HLX90554107	B	1/4" NPT	75 PSI	70 PSI
HLX90555396	C	1/4" NPT	70 PSI	65 PSI
HNDVS-38941	D	1/4" NPT	75 PSI	70 PSI
VLV032218	E	In: 1/2" NPTM; Out: 3/8" NPTF	55 PSI	45 PSI

Emergency Control Pressure Protection Valves

Part No.	Ports	Open Pressure	Closed Pressure
110257	3/8" NPT	75 PSI	70 PSI

Note: Does not interchange with other pressure protection valves due to the special back flow.



Solenoid

3-Way Electric Solenoid Valves — 12V

Part No.	Ports	Position
HLX90054074	1/4" NPT Ports	Normally Closed
HLX90054075	1/4" NPT Ports	Normally Open

Note: Not intended to be used as a dump valve



4-Way Electric Solenoid Valves — 12V

Part No.	Ports	Operating Pressure
VLV320178	1/4" FPT Ports (x5)	100 PSI



Quick Release



Quick Release Valves — 0 PSI Crack Pressure

Part No.	Ports	Notes
FC289714	DEL: 3/8" (x2); SUP: 1/4"; BAL: 1/4" (All Ports Female NPT)	Fleetcraft Replacement for Bendix QR-1C®
BNX289714N	DEL: 3/8" (x2); SUP: 1/4"; BAL: 1/4" (All Ports Female NPT)	QR-1C® Series Double Check Valve
BNXOR289714X	DEL: 3/8" (x2); SUP: 1/4"; BAL: 1/4" (All Ports Female NPT)	QR-1C® Series Double Check — Remanufactured Coreless
BNX800333	DEL: 1/2" (Female); SUP: 1/2" (Male)	QR-L™ Series Inline — Dust Shield (x2)
BNXOR229859X	DEL: 3/8" (x2); SUP: 3/8" (All Ports Female NPT)	QR-1® Series — Coreless

Air Systems | Valves

Air Systems | Valves



Suspension



3-Way Pilot Valve — Remote Mount	
Part No.	Ports
HLX90554615	N/O: 1/4"; N/C: 1/4"; SUS: 1/4"; PILOT: 1/8"



Hand Operated Push Pull Valve		
Part No.	Ports	Pop Pressure
HLXKN20012	DEL: 1/4"; EXH: 1/4"	0 PSI



3-Way Ball Valve	
Part No.	Ports
HNDVS-22535	1/4" NPT Ports



Hand Control Valve		
Part No.	Ports	Pressure
EUCE4329	1/4" NPT Ports	50-120 PSI



HNDVS-25223

Quik-Draw® 3-Way Auto Reset Valves		
Part No.	Ports	Notes
HNDVS-25223	1/4" NPT Ports	--
HNDVS-25224	1/4" NPT Ports	w/ Fittings



HNDAKAD2010-1

LiftAxleControlKits—StainlessSteelEnclosure		
Part No.	Ports	Notes
HNDAKAD2010-1	DEL: 3/8" (x6 w/ 2 plugs); SUP: 3/8"; EXH: 1/8" & 1/4"	Base Model
HNDAKAD2011-2		Regulator & Gauge

Air Systems | Valves

Air Systems | Air Dryers

Air Dryers

AD-9® — 12V/75W — 1/2" Port			
Part No.	Description	Purge	Includes
FC65225	New Unit w/ Bracket	Hard	Mounting Hardware
BNX065225	New Unit w/ Bracket	Hard	Mounting Hardware
BNX109685X	Remanufactured Exchange	Hard	Dryer Only
BNX107794X	Replacement Cartridge	--	O-Ring & Grease
BNX5004341X	Purge Valve Kit	Soft	Purge Valve, Mounting Hardware, O-Rings & Grease



FC65225

BNX5004341X

AD-SP® — 12V/90W — 1/2" Port			
Part No.	Description	Purge	Includes
BNX800887	New Unit w/o Pigtail	Soft	Dryer Only
BNX5008414	Replacement Cartridge	--	O-Ring & Grease
BNX109995	Purge Valve Kit	Soft	Purge Valve, Piston, O-Ring, Spring, Exhaust Cover, & Retaining Ring



BNX800887

BNX109995

AD-IP® — 12V/90W — 1/2" Port			
Part No.	Description	Purge	Includes
BNX065612	New Unit w/ Bracket	Hard	Mounting Hardware
BNX109477X	Reman Exchange w/ Bracket	Hard	Mounting Hardware
FC065624	Replacement Cartridge	--	O-Ring & Grease
BNX109493X	Replacement Cartridge	--	O-Ring & Grease
BNXK022105	Purge Valve Kit	Hard	Purge Valve, Piston, O-Ring, Spring, Exhaust Cover, & Retaining Ring



BNX065612

BNX109493X

BNXK022105

AD-IS® — 12V/90W — 1/4" Port			
Part No.	Description	Purge	Includes
FC801266	New Unit	Hard	Dryer Only
BNX801266	New Unit	Hard	Dryer Only
BNX5010696X	Remanufactured Exchange	Hard	Dryer Only
BNX5008414	Replacement Cartridge	--	O-Ring & Grease
FC022105	Purge Valve Kit	Hard	Purge Valve, Piston, O-Ring, Spring, Exhaust Cover, & Retaining Ring
BNXK022105	Purge Valve Kit	Hard	Purge Valve, Piston, O-Ring, Spring, Exhaust Cover, & Retaining Ring



BNX801266

BNXK022105

SS1200 Exclusive — 12V/100W — 1/2" Port		
Part No.	Description	Includes
4324711010	New Coalesce Air Dryer	Turbo Cut-Off Valve, Mounting Bracket, Hardware
4329012482	New Coalesce Cartridge	O-Ring
4324209232	Standard Cartridge	O-Ring
4324139292	Purge Valve Kit	Purge Valve, Piston, O-Ring, Spring, Exhaust Cover, & Retaining Ring



4324711010

4324139292

Governors — 100-120 PSI		
Part No.	Description	Includes
FC275491	New D-2	Gasket & Plugs
BNX275491N	New D-2	Gasket & Plugs
BNXOR275491X	Reman D-2	Gasket & Plugs



FC275491



Flare



48F-4-2

Male Connector — Brass		
Part No.	Thread 1	Tube 1
48F-10-8	1/2"	5/8"
48F-4-2	1/8"	1/4"
48F-6-4	1/4"	3/8"
48F-6-6	3/8"	3/8"
48F-8-6	3/8"	1/2"
48F-8-8	1/2"	1/2"



149F-10-8

Male Elbow — Brass		
Part No.	Thread 1	Tube 1
149F-4-4	1/4"	1/4"
149F-10-8	1/2"	5/8"



Union — Brass		
Part No.	Tube 1	Tube 2
42F-10	5/8"	5/8"

Hose Barb



S125-6-8

Hose Barb to Male Pipe — Brass		
Part No.	Thread 1	Tube 1
S125-10-12	3/4"	5/8"
S125-10-8	1/2"	5/8"
S125-12-8	1/2"	3/4"
S125-6-8	1/2"	3/8"
S125-8-8	1/2"	1/2"

Nylon Tube Assembly



269NTA-12-12

Male Elbow — Brass					
Part No.	Thread 1	Tube 1	Part No.	Thread 1	Tube 1
269NTA-4-2	1/8"	1/4"	269NTA-8-4	1/4"	1/2"
269NTA-4-4	1/4"	1/4"	269NTA-8-6	3/8"	1/2"
269NTA-4-6	3/8"	1/4"	269NTA-8-8	1/2"	1/2"
269NTA-4-8	1/2"	1/4"	269NTA-10-6	3/8"	5/8"
269NTA-6-2	1/8"	3/8"	269NTA-10-8	1/2"	5/8"
269NTA-6-4	1/4"	3/8"	269NTA-10-12	3/4"	5/8"
269NTA-6-6	3/8"	3/8"	269NTA-12-8	1/2"	3/4"
269NTA-6-8	1/2"	3/8"	269NTA-12-12	3/4"	3/4"



264NTA-10

Union Tee — Brass			
Part No.	Tube 1	Tube 2	Tube 3
264NTA-4	1/4"	1/4"	1/4"
264NTA-6	3/8"	3/8"	3/8"
264NTA-8	1/2"	1/2"	1/2"
264NTA-10	5/8"	5/8"	5/8"



279NTA-6-6

45° Elbow — Brass		
Part No.	Thread 1	Tube 1
279NTA-4-2	1/8"	1/4"
279NTA-6-2	1/8"	3/8"
279NTA-6-4	1/4"	3/8"
279NTA-6-6	3/8"	3/8"
279NTA-6-8	1/2"	3/8"
279NTA-8-4	1/4"	1/2"
279NTA-8-6	3/8"	1/2"
279NTA-8-8	1/2"	1/2"
279NTA-10-8	1/2"	5/8"

Nylon Tube Assembly

Male Run Tee — Brass					
Part No.	Thread 1	Tube 1	Part No.	Thread 1	Tube 1
271NTA-4-2	1/8"	1/4"	271NTA-6-6	3/8"	3/8"
271NTA-4-4	1/4"	1/4"	272NTA-8-4	1/4"	1/2"
271NTA-6-4	1/4"	3/8"	271NTA-8-6	3/8"	1/2"



271NTA-4-2

Male Branch Tee — Brass		
Part No.	Thread 1	Tube 1
272NTA-4-2	1/8"	1/4"
272NTA-4-4	1/4"	1/4"
272NTA-6-4	1/4"	3/8"
272NTA-6-6	3/8"	3/8"
272NTA-8-6	3/8"	1/2"



272NTA-6-6

Union — Brass		
Part No.	Tube 1	Tube 2
62NTA-4	1/4"	1/4"
62NTA-6	3/8"	3/8"
62NTA-8	1/2"	1/2"
62NTA-10	5/8"	5/8"
62NTA-12	3/4"	3/4"



62NTA-10

Male Connector — Brass					
Part No.	Thread 1	Tube 1	Part No.	Thread 1	Tube 1
68NTA-4-2	1/8"	1/4"	68NTA-8-4	1/4"	1/2"
68NTA-4-4	1/4"	1/4"	68NTA-8-6	3/8"	1/2"
68NTA-4-6	3/8"	1/4"	68NTA-8-8	1/2"	1/2"
68NTA-6-2	1/8"	3/8"	68NTA-10-6	3/8"	5/8"
68NTA-6-4	1/4"	3/8"	68NTA-10-8	1/2"	5/8"
68NTA-6-6	3/8"	3/8"	68NTA-10-12	3/4"	5/8"
68NTA-6-8	1/2"	3/8"	68NTA-12-8	1/2"	3/4"
			68NTA-12-12	3/4"	3/4"



68NTA-10-8

Insert — Stainless	
Part No.	Tube 1
63NTA-4	1/4"
63NTA-6	3/8"
63NTA-8	1/2"
63NTA-10	5/8"
63NTA-12	3/4"



63NTA-8

Sleeve — Brass	
Part No.	Tube 1
60NTA-4	1/4"
60NTA-6	3/8"
60NTA-8	1/2"
60NTA-10	5/8"
60NTA-12	3/4"



60NTA-8

Nut — Brass	
Part No.	Tube 1
61NTA-4	1/4"
61NTA-6	3/8"
61NTA-8	1/2"
61NTA-10	5/8"
61NTA-12	3/4"



61NTA-10



Pipe



2214P-2-2

45° Street Elbow — Brass			
Part No.	Thread 1	Thread 2	
2214P-2-2	1/8"	1/8"	
2214P-4-4	1/4"	1/4"	
2214P-6-6	3/8"	3/8"	
2214P-8-8	1/2"	1/2"	



2202P-2-2

90° Street Elbow — Brass			
Part No.	Thread 1	Thread 2	
2202P-2-2	1/8"	1/8"	
2202P-4-2	1/4"	1/8"	
2202P-4-4	1/4"	1/4"	
2202P-6-6	3/8"	3/8"	
2202P-8-8	1/2"	1/2"	



2200P-4-4

90° Union Elbow — Brass			
Part No.	Thread 1	Thread 2	
2200P-2-2	1/8"	1/8"	
2200P-4-4	1/4"	1/4"	
2200P-6-6	3/8"	3/8"	
2200P-8-8	1/2"	1/2"	



213P-4

FPT Cap — Brass	
Part No.	Thread 1
213P-4	1/4"
213P-6	3/8"
213P-8	1/2"



222P-4-4

Female x Male Adapter — Brass			
Part No.	Thread 1	Thread 2	
222P-4-2	1/4"	1/8"	
222P-4-4	1/4"	1/4"	
222P-6-2	3/8"	1/8"	
222P-6-4	3/8"	1/4"	
222P-6-6	3/8"	3/8"	
222P-8-4	1/2"	1/4"	
222P-8-6	1/2"	3/8"	
222P-12-8	1/2"	3/4"	



209P-8-6

Male x Female Bushing — Brass			
Part No.	Thread 1	Thread 2	
209P-4-2	1/4"	1/8"	
209P-6-2	3/8"	1/8"	
209P-6-4	3/8"	1/4"	
209P-8-2	1/2"	1/8"	
209P-8-4	1/2"	1/4"	
209P-8-6	1/2"	3/8"	
209P-12-4	3/4"	1/4"	
209P-12-6	3/4"	3/8"	
209P-12-8	3/4"	1/2"	



207P-6

Coupling — Brass			
Part No.	Thread 1	Thread 2	
207P-2	1/8"	1/8"	
207P-4	1/4"	1/4"	
207P-6	3/8"	3/8"	
207P-8	1/2"	1/2"	
207P-12	3/4"	3/4"	



208P-6-2

Reducer Coupling — Brass			
Part No.	Thread 1	Thread 2	
208P-6-2	3/8"	1/8"	
208P-6-4	3/8"	1/4"	
208P-8-6	1/2"	3/8"	



215PN-12

Close Nipple — Brass			
Part No.	Thread 1	Thread 2	
215PN-2	1/8"	1/8"	
215PN-4	1/4"	1/4"	
215PN-6	3/8"	3/8"	
215PN-8	1/2"	1/2"	
215PN-12	3/4"	3/4"	



216P-4

Hex Nipple — Brass			
Part No.	Thread 1	Thread 2	
216P-2	1/8"	1/8"	
216P-4	1/4"	1/4"	
216P-6	3/8"	3/8"	
216P-8	1/2"	1/2"	



216P-6-4

Hex Nipple Reducer — Brass			
Part No.	Thread 1	Thread 2	
216P-6-4	3/8"	1/4"	

Long Nipple — Brass			
Part No.	Thread 1	Thread 2	
215PNL-4-15	1/4"	1/4"	
215PNL-4-20	1/4"	1/4"	
215PNL-6-15	3/8"	3/8"	
215PNL-6-20	3/8"	3/8"	
215PNL-8-25	1/2"	1/2"	



215PNL-4-15

Street Tee — Brass				
Part No.	Thread 1	Thread 2	Thread 3	
2225P-2	1/8"	1/8"	1/8"	
2225P-4	1/4"	1/4"	1/4"	
2225P-6	3/8"	3/8"	3/8"	
2225P-8	1/2"	1/2"	1/2"	



2225P-4

Plug Hex Head — Brass	
Part No.	Thread 1
218P-2	1/8"
218P-4	1/4"
218P-6	3/8"
218P-8	1/2"
218P-12	3/4"



218P-6

Countersunk Plug Hex Head — Brass	
Part No.	Thread 1
219P-4	1/4"
219P-6	3/8"



219P-4

Plug Square Head — Brass	
Part No.	Thread 1
211P-2	1/8"
211P-4	1/4"
211P-6	3/8"
211P-8	1/2"
211P-12	3/4"



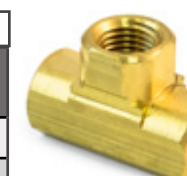
211P-12

Branch Tee — Brass				
Part No.	Thread 1	Thread 2	Thread 3	
2224P-4	1/4"	1/4"	1/4"	
2224P-6	3/8"	3/8"	3/8"	
2224P-8	1/2"	1/2"	1/2"	



2224P-4

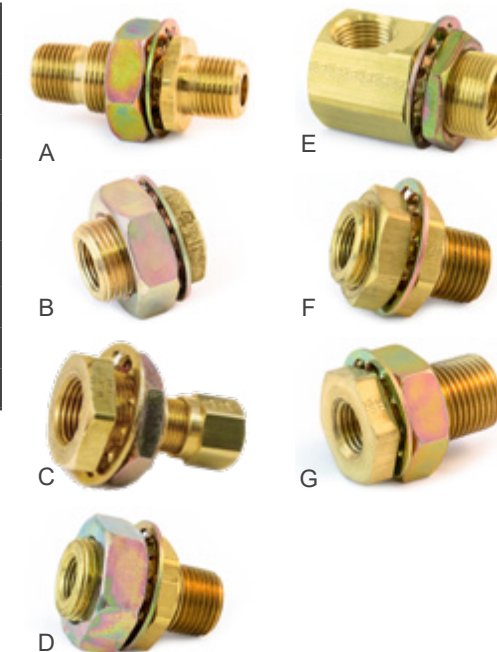
Union Tee — Brass				
Part No.	Thread 1	Thread 2	Thread 3	
2203P-2	1/8"	1/8"	1/8"	
2203P-4	1/4"	1/4"	1/4"	
2203P-6	3/8"	3/8"	3/8"	
2203P-8	1/2"	1/2"	1/2"	



2203P-4

Bulkhead Fittings

Part No.	Image	Thread 1	Thread 2	Thread 3	Length
55600	A	1/2"	1"	1/4"	2.88"
55607	B	1"	3/8"	--	1.31"
55608	C	1/2"	3/8" Tube	--	--
55609	C	3/8"	3/8" Tube	--	--
55615	D	1/2"	1"	1/4"	2.13"
TRA55616M	E	3/8"	3/8"	--	--
55620	F	1/2"	1"	3/8"	1.69"
55661	G	1/4"	3/4"	--	--



Air Systems | Fittings

Air Systems | Fittings



Push to Connect — Alkon

Push to Connect — Alkon



AQ54-DOT-4X2

45° Elbow — Brass		
Part No.	Thread 1	Tube 1
AQ54-DOT-4X2	1/8"	1/4"
AQ54-DOT-4X4	1/4"	1/4"
AQ54-DOT-6X2	1/8"	3/8"
AQ54-DOT-6X4	1/4"	3/8"
AQ54-DOT-6X6	3/8"	3/8"
AQ54-DOT-6X8	1/2"	3/8"
AQ54-DOT-8X4	1/4"	1/2"
AQ54-DOT-8X6	3/8"	1/2"
AQ54-DOT-8X8	1/2"	1/2"
AQ54-DOT-10X6	3/8"	5/8"
AQ54-DOT-10X8	1/2"	5/8"
AQ54-DOT-12X8	1/2"	3/4"



AQ54-DOTS-4X2

45° Swivel Elbow — Brass		
Part No.	Thread 1	Tube 1
AQ54-DOTS-4X2	1/8"	1/4"
AQ54-DOTS-4X4	1/4"	1/4"
AQ54-DOTS-6X2	1/8"	3/8"
AQ54-DOTS-6X4	1/4"	3/8"
AQ54-DOTS-6X6	3/8"	3/8"
AQ54-DOTS-6X8	1/2"	3/8"
AQ54-DOTS-8X4	1/4"	1/2"
AQ54-DOTS-8X6	3/8"	1/2"
AQ54-DOTS-8X8	1/2"	1/2"
AQ54-DOTS-10X8	1/2"	5/8"



AQ69-DOT-8X4

90° Elbow — Brass		
Part No.	Thread 1	Tube 1
AQ69-P-2X2	1/8"	1/8"
AQ69-P-15625X2	1/8"	5/32"
AQ69-DOT-8X4	1/4"	1/2"



AQ69-DOTS-4X2

90° Swivel Elbow — Brass		
Part No.	Thread 1	Tube 1
AQ69-DOTS-4X2	1/8"	1/4"
AQ69-DOTS-4X4	1/4"	1/4"
AQ69-DOTS-4X6	3/8"	1/4"
AQ69-DOTS-6X2	1/8"	3/8"
AQ69-DOTS-6X4	1/4"	3/8"
AQ69-DOTS-6X6	3/8"	3/8"
AQ69-DOTS-6X8	1/2"	3/8"
AQ69-DOTS-8X4	1/4"	1/2"
AQ69-DOTS-8X6	3/8"	1/2"
AQ69-DOTS-8X8	1/2"	1/2"
AQ69-DOTS-10X6	3/8"	5/8"
AQ69-DOTS-10X8	1/2"	5/8"
AQ69-DOTS-12X8	1/2"	3/4"



AQ68-P-2X2

Male Connector — Brass		
Part No.	Thread 1	Tube 1
AQ68-P-2X2	1/8"	1/8"
AQ68-P-15625X2	1/8"	5/32"
AQ68-DOT-3X2	1/8"	1/5"
AQ68-DOT-4X2	1/8"	1/4"
AQ68-DOT-4X4	1/4"	1/4"
AQ68-DOT-4X6	3/8"	1/4"
AQ68-DOT-6X2	1/8"	3/8"
AQ68-DOT-6X4	1/4"	3/8"
AQ68-DOT-6X6	3/8"	3/8"
AQ68-DOT-6X8	1/2"	3/8"
AQ68-DOT-8X4	1/4"	1/2"
AQ68-DOT-8X6	3/8"	1/2"
AQ68-DOT-8X8	1/2"	1/2"
AQ68-DOT-10X6	3/8"	5/8"
AQ68-DOT-10X8	1/2"	5/8"
AQ68-DOT-12X12	3/4"	3/4"



AQ59-P-4

Plug — Nylon	
Part No.	Tube 1
AQ59-P-4	1/4"
AQ59-P-6	3/8"
AQ59-P-8	1/2"

Branch Tee — Brass			
Part No.	Thrd 1	Tube 1	Tube 2
AQ72-DOT-4X4	1/4"	1/4"	1/4"
AQ72-DOT-6X4	1/4"	3/8"	3/8"
AQ72-DOT-6X6	3/8"	3/8"	3/8"
AQ72-DOT-8X6	3/8"	1/2"	1/2"



AQ72-DOT-4X4

Run Tee — Brass			
Part No.	Thrd 1	Tube 1	Tube 2
AQ71-DOT-4X4	1/4"	1/4"	1/4"
AQ71-DOT-6X4	1/4"	3/8"	3/8"
AQ71-DOT-6X6	3/8"	3/8"	3/8"
AQ71-DOT-8X6	3/8"	1/2"	1/2"



AQ71-DOT-4X4

Union Tee — Brass			
Part No.	Tube 1	Tube 2	Tube 3
AQ64-DOT-4	1/4"	1/4"	1/4"
AQ64-DOT-8	1/2"	1/2"	1/2"
AQ64-DOT-6	3/8"	3/8"	3/8"



AQ64-DOT-4

Swivel Branch Tee — Brass			
Part No.	Thrd 1	Tube 1	Tube 2
AQ72-DOTS-4X2	1/8"	1/4"	1/4"
AQ72-DOTS-4X4	1/4"	1/4"	1/4"
AQ72-DOTS-6X4	1/4"	3/8"	3/8"
AQ72-DOTS-6X6	3/8"	3/8"	3/8"
AQ72-DOTS-8X6	3/8"	1/2"	1/2"



AQ72-DOTS-4X2

Swivel Run Tee — Brass			
Part No.	Thrd 1	Tube 1	Tube 2
AQ71-DOTS-4X2	1/8"	1/4"	1/4"
AQ71-DOTS-4X4	1/4"	1/4"	1/4"
AQ71-DOTS-6X4	1/4"	3/8"	3/8"
AQ71-DOTS-6X6	3/8"	3/8"	3/8"
AQ71-DOTS-8X6	3/8"	1/2"	1/2"



AQ71-DOTS-4X2

Union — Brass		
Part No.	Tube 1	Tube 2
AQ62-P-2	1/8"	1/8"
AQ62-P-15625	5/32"	5/32"
AQ62-DOT-4	1/4"	1/4"
AQ62-DOT-6	3/8"	3/8"
AQ62-DOT-8	1/2"	1/2"
AQ62-DOT-10	5/8"	5/8"
AQ62-DOT-12	3/4"	3/4"



AQ62-P-2



PTC — Phillips QWIK-FIT™



PHP12-90044

Bulkhead Union — Composite			
Part No.	Tube 1	Tube 2	
PHP12-90044	1/4"	1/4"	
PHP12-90088	1/2"	1/2"	



PHP12-P5022

Straight Union — Composite			
Part No.	Tube 1	Tube 2	
PHP12-95022	1/8"	1/8"	
PHP12-95055	5/32"	5/32"	
PHP12-951010	5/8"	5/8"	



PHP12-93064

Male Connector — Composite			
Part No.	Thread 1	Tube 1	
PHP12-93064	1/4"	3/8"	
PHP12-93066	3/8"	3/8"	
PHP12-93086	3/8"	1/2"	



PHP12-98044

45° Elbow — Composite			
Part No.	Thread 1	Tube 1	
PHP12-98044	1/4"	1/4"	
PHP12-98064	1/4"	3/8"	



PHP12-94044

90° Elbow — Composite			
Part No.	Thread 1	Tube 1	
PHP12-94044	1/4"	1/4"	
PHP12-94068	1/2"	3/8"	
PHP12-94086	3/8"	1/2"	



PHP12-91066

90° Union Elbow — Composite			
Part No.	Tube 1	Tube 2	
PHP12-91066	3/8"	3/8"	
PHP12-91088	1/2"	1/2"	



PHP12-96444

Union Tee — Composite				
Part No.	Tube 1	Tube 2	Tube 3	
PHP12-96444	1/4"	1/4"	1/4"	
PHP12-96888	1/2"	1/2"	1/2"	



PHP12-99066

Male Run Tee — Composite			
Part No.	Thread 1	Tube 1	
PHP12-99066	3/8"	3/8"	

ABS Valve Mounting Nipples



6006

Mounting Nipples — 1-5/8" Long			
Part No.	Thread 1	Thread 2	
6002S	1/2"	1/2"	
6003	3/4"	1/2"	
6006	3/4"	3/4"	

Drain Valves



PHP12-820

Part No.	Description
FC12104	Drain Valve - 48" Cable
FC12105	Drain Valve - 60" Cable
PHP12-820	HD Drain Valve 1/4" NPT, 60" Cable w/ Loose Crimp

Reusable Air Brake Hose Fittings

NPTF Male Fitting Assembly (w/Spring Guard)

For 3/8" Hose		For 1/2" Hose	
Part No.	NPTF	Part No.	NPTF
11900	1/4"	11801	3/8"
11901	3/8"	11802	1/2"
11902	1/2"		



11900

NPTF Male Fitting Assembly (w/o Spring Guard)

For 3/8" Hose		For 1/2" Hose	
Part No.	NPTF	Part No.	NPTF
11903	1/4"	11804	3/8"
11904	3/8"	11805	1/2"
11905	1/2"		



11903



Nut — for fitting w/o Spring

Part No.	Hose Size
11906	3/8"



11912

Ferrule

Part No.	Hose Size
11912	3/8"
11812	1/2"



Body — for 3/8" Hose

Part No.	NPTF
11908	3/8"



11913

Union Assembly

Part No.	Hose Size
11913	3/8"
11813	1/2"

Air Brake Hose End Fitting Repair Kits w/Swivel

Part No.	Hose	NPTF
31402	3/8"	3/8"
31403	3/8"	1/2"
31305	1/2"	3/8"



31402

- 31402 Contains 2 fittings to equip one hose.
- Meets the requirements of DOT 106 and SAE J1402.
- Each kit contains two corrosion resistant brass and nylon fittings with swivel ends.

Bulk Air Brake Hose — Black Rubber

Part No.	ID	Length
1014307-25	3/8"	25'
1014307-50	3/8"	50'
1014307-150	3/8"	150'
1014307-250	3/8"	250'
1014310-25	1/2"	25'
1014310-50	1/2"	50'
1014310-250	1/2"	250'



1014307-250



Rubber Air Brake Hose Assemblies

Dual Swivel (164XX, 168XX)			
3/8" Hose — 1/4"-18 NPTF Fittings			
Part No.	Length	Part No.	Length
16420	20"	16436	36"
16424	24"	16440	40"
16426	26"	16444	44"
16428	28"	16448	48"
16432	32"	16466	66"

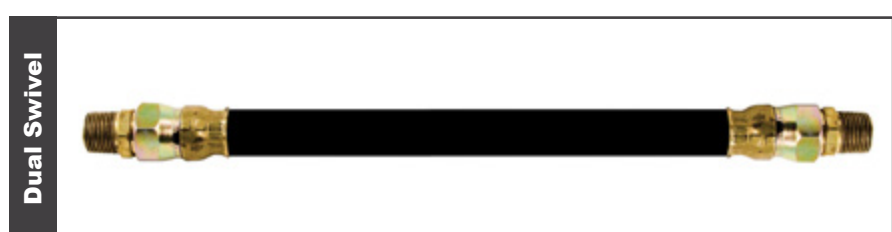
Single Swivel Hoses (160XX, 166XX, 163XX)	
• Permanent Fittings	
• Meets All SAE J1402 & DOT 106 Specifications	
• TYPE B	

Single Swivel Hoses (160XX, 166XX, 163XX)			
3/8" Hose — 1/4"-18 NPTF Fittings			
Part No.	Length	Part No.	Length
16024	24"	16036	36"
16030	30"	16048	48"

7/16" Hose — 3/8"-18 NPTF Fittings			
Part No.	Length	Part No.	Length
16818	18"	16842	42"
16824	24"	16844	44"
16828	28"	16848	48"
16830	30"	16854	54"
16832	32"	16860	60"
16836	36"	16872	72"
16840	40"	--	--

Dual Swivel (164XX, 168XX)	
• Minimum burst pressure of 900 PSI	
• Maximum operating pressure of 225 PSI	
• Conforms to SAE J1402 specifications	
• Operating temperature of -40°F to +200°F	

3/8" Hose — 3/8"-18 NPTF Fittings					
Part No.	Lg	Part No.	Lg	Part No.	Lg
16614	14"	16630	30"	16644	44"
16618	18"	16632	32"	16648	48"
16620	20"	16634	34"	16654	54"
16622	22"	16636	36"	16660	60"
16624	24"	16638	38"	16672	72"
16626	26"	16640	40"	16674	74"
16628	28"	16642	42"	16684	84"



7/16" Hose — 3/8"-18 NPTF Fittings			
Part No.	Length	Part No.	Length
16318	18"	16338	38"
16320	20"	16340	40"
16322	22"	16342	42"
16324	24"	16344	44"
16326	26"	16348	48"
16328	28"	16354	54"
16330	30"	16360	60"
16332	32"	16372	72"
16334	34"	16374	74"
16336	36"	16384	84"

Slider Hose Assemblies



BB7820-108

Rubber Hose & NTA Bulkhead Fittings				
Part No.	Length	Hose	Fitting	Springs
BB7820-108	108"	3/8"	1/2"	--
SS7820-108	108"	3/8"	3/8"	--
SS7420-114	114"	1/4"	3/8"	--
SS7820-114	114"	3/8"	3/8"	--
SBH6609-117	117"	3/8"	3/8"	--
SBH6609-129	129"	3/8"	3/8"	--

Type A & B SAE J844 DOT Tubing

Type A Nylon Tubing — 150 PSI Rating			
Part No.	Color	OD	Length
1610004-100	Black	1/4"	100'
1610004-1000	Black	1/4"	1000'



1610004-100

Type B Nylon Tubing — 150 PSI Rating			
Part No.	Color	OD	Length
1610006-100	Black	3/8"	100'
1610006-500	Black	3/8"	500'
1610006BLUE-100	Blue	3/8"	100'
1610006BLUE-500	Blue	3/8"	500'
1610006G-100	Green	3/8"	100'
1610006G-500	Green	3/8"	500'
1610006R-100	Red	3/8"	100'
1610006R-500	Red	3/8"	500'
1610008-100	Black	1/2"	100'
1610008-500	Black	1/2"	500'
1610008BLUE-100	Blue	1/2"	100'
1610008BLUE-500	Blue	1/2"	500'
1610008R-100	Red	1/2"	100'
1610008R-500	Red	1/2"	500'
1610010-50	Black	5/8"	50'



1610006-10



1610006BLUE-100



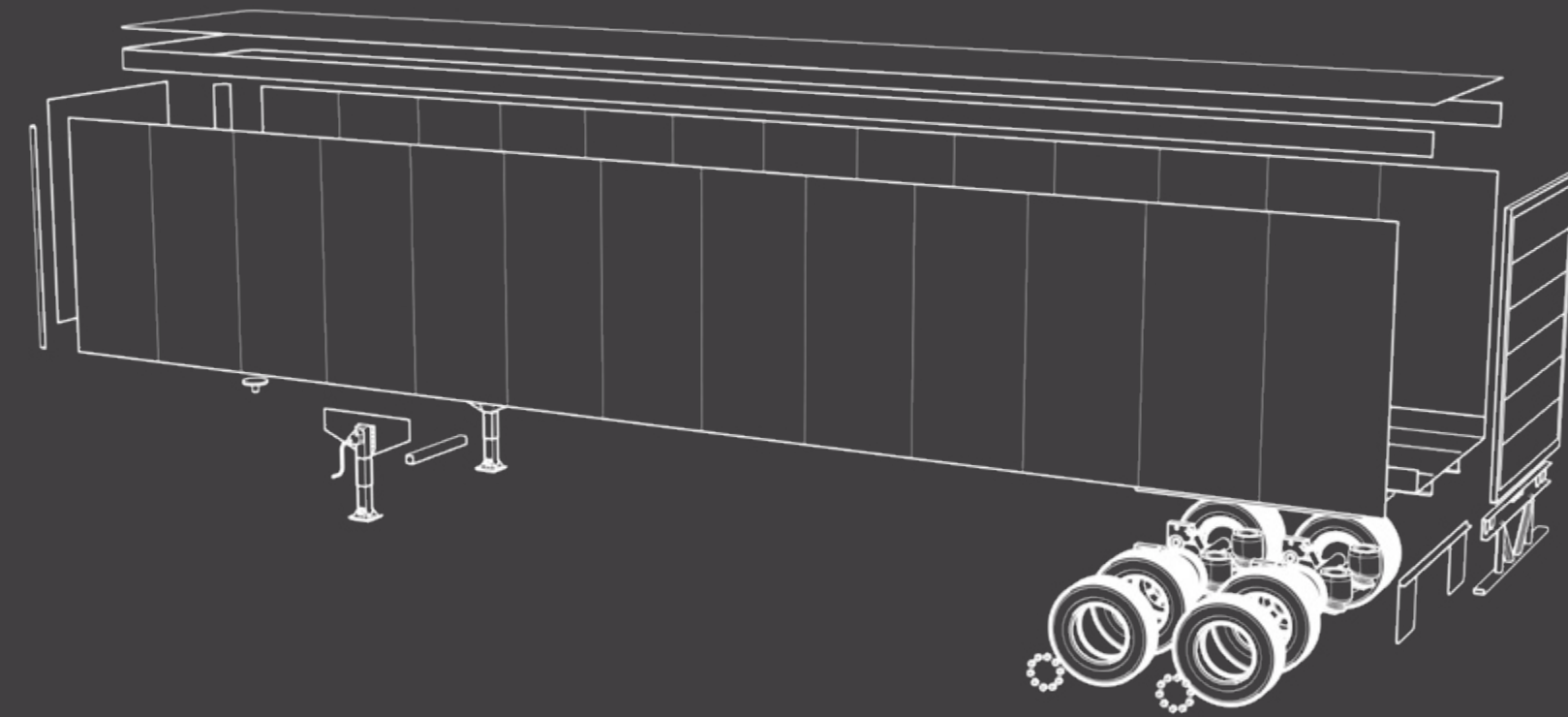
1610006G-100



1610006R-100



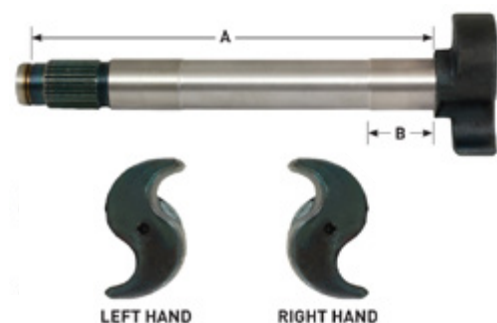
**ROAD EQUIPMENT
PARTS CENTER**



Axle Components



Camshafts & Kits



Camshafts — 1.5" 28-Spline						
Part No.	Side	Length A	B	Brake	Bushing Kit	
HNDS-24636-1L	LH	11-1/32"	--	16.5" INTRAAX	HNDS-28890, HNDS-31964, NL4400	
HNDS-24636-1R	RH	11-1/32"	--	16.5" INTRAAX	HNDS-28890, HNDS-31964, NL4400	
NL1970	LH	11-1/32"	--	16.5" INTRAAX	HNDS-28890, HNDS-31964, NL4400	
NL1971	RH	11-1/32"	--	16.5" INTRAAX	HNDS-28890, HNDS-31964, NL4400	
MER2210D6868	RH	24-1/16"	--	16.5" Q+	MERKIT8078A, MERKIT8091, NL1417	
MER2210E6869	LH	24-1/16"	--	16.5" Q+	MERKIT8078A, MERKIT8091, NL1417	

Kits — 1.5" Diameter

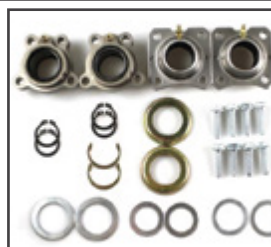
Part No.	Description	Brake	Includes
NL4400	Fleetcraft Camshaft Tube Service Kit	16.5" INTRAAX	--
HNDS-28890	Hendrickson Camshaft Tube Service Kit	16.5" INTRAAX	--
HNDS-31964	Hendrickson S-Cam Overhaul Kit w/o Cam Tubes	16.5" INTRAAX	--
NL1417	Fleetcraft Camshaft Bushing Kit for Rockwell - Late Trailer w/ Fabricated Spider	16.5" Q+	--
MERKIT8078A	Meritor Bolt-On Bushing Kit - 1 Wheel End (Half Kit)	16.5" Q+	--
MERKIT8091	Meritor Bolt-On Bushing Kit - 2 Wheel Ends (Full Kit)	16.5" Q+	--



NL4400 | HNDS-28890



HNDS-31964



NL1417



MERKIT8078A



MERKIT8091

Chambers

Air Disc Brakes — 1824			
Part No.	Manufacturer	Stroke	Notes
BNXK132352	Bendix	2.25"	Unhanded, ABD22X, 15mm Push Rod
1824.D	Fleetcraft	2.5"	Unhanded
HNDS-40881-L	Hendrickson	2.5"	Lefthand
HNDS-40881-R	Hendrickson	2.5"	Righthand



Spring Brakes — 3030				
Part No.	Img	Manuf.	Strk	Notes
1010451	--	Fleetcraft	2.5"	INTRAAX®, 12.5" Push Rod
1010470	A	Fleetcraft	2.5"	Sealed Unit
BNXK129605	B	Bendix	2.5"	Welded Clevis, 11.1" Push Rod
HLXGC3030	C	Haldex	2.5"	Gold Seal, Clevis Included
HLXLC3030	--	Haldex	2.5"	Life Seal, Clevis Included, 10" Push Rod
HLXLC3030S5CW	D	Haldex	2.5"	Life Seal, Welded Clevis
1010455	--	Fleetcraft	3.0"	Welded Clevis, Navistar, Freightliner
1010476	E	Fleetcraft	3.0"	Sealed Unit, 12.5" Push Rod
HLXGC3030L	F	Haldex	3.0"	Gold Seal, Clevis Included



Piggyback Kits — 3030			
Part No.	Manufacturer	Stroke	Notes
1010453BX	Fleetcraft	2.5"	Clamp & Diaphragm
1010457BX	Fleetcraft	3.0"	Clamp & Diaphragm
1010473	Fleetcraft	2.5"	--



Chamber Bracket	
Part No.	Notes
MER3299A5981	Fits 5" Round Axle

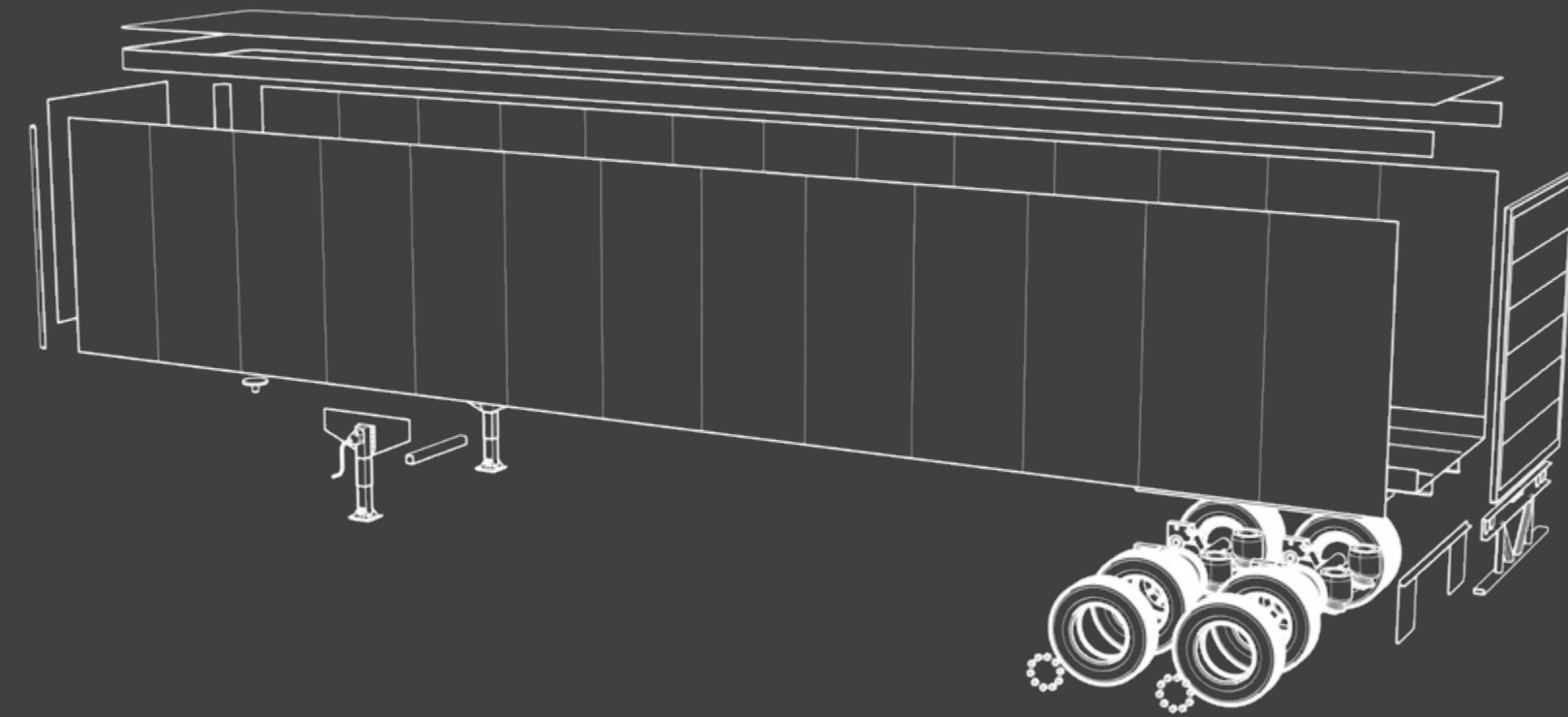


Axle Components | Cams

Axle Components | Chambers



ROAD EQUIPMENT PARTS CENTER



Brakes



IDENTIFY BRAKE PLATFORMS



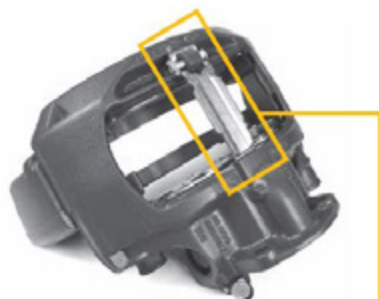
Flat Bolt-On Retainer Bar



Meritor



Haldex



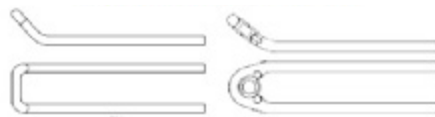
Cotter Pin



Bendix



Tubular Retainer Bar



Wabco



Hendrickson

IDENTIFY AIR DISC ROTOR TYPES

U-Type



Hat Type



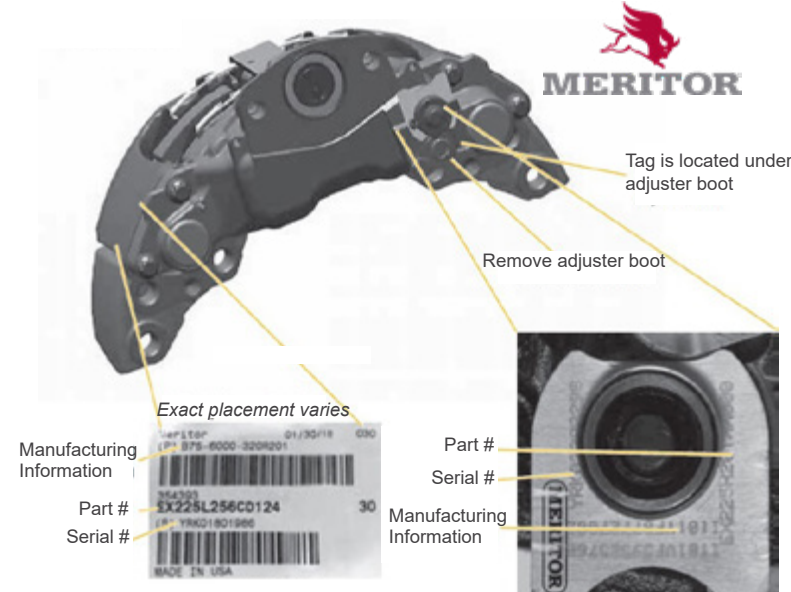
Flat Type



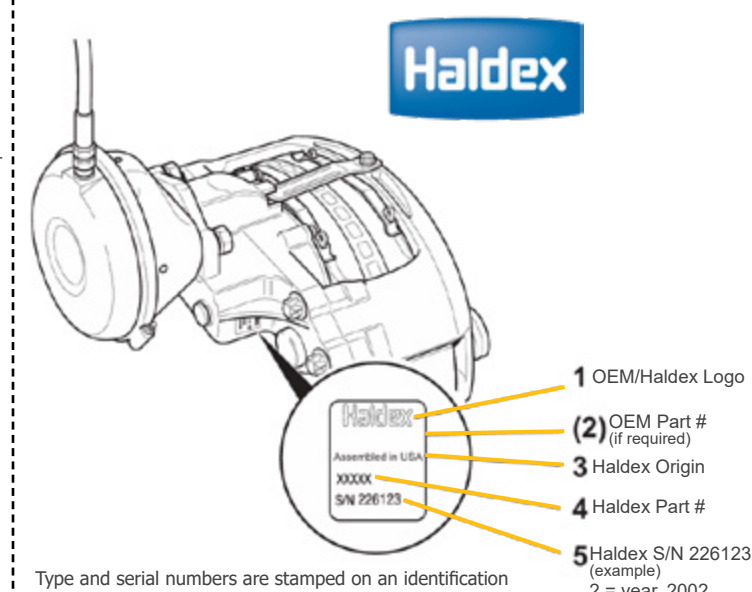
Spline Type



LOCATE PART & SERIAL NUMBERS



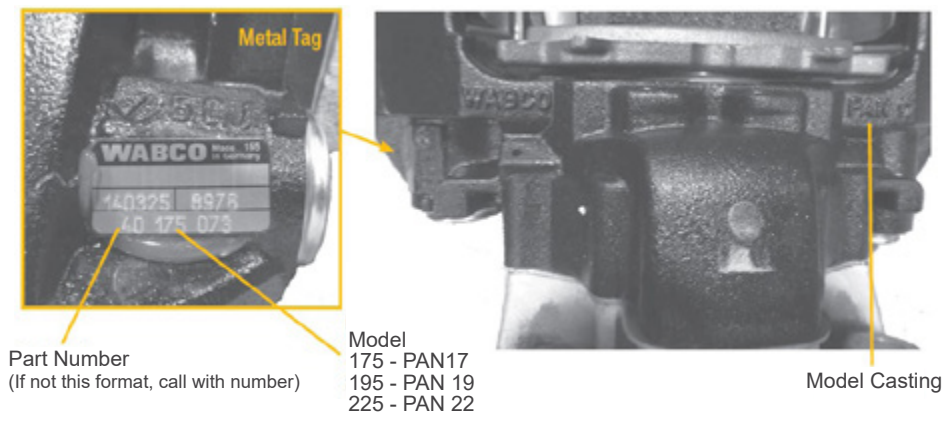
Remove Protective Cap to left of bolt is Part Number engraved in metal plate. To right of bolt is Serial Number engraved in metal plate. Protective cap must be replaced.



Type and serial numbers are stamped on an identification plate fixed to the caliper.



Information is located in a similar location for Bendix & SAF Holland.



Information is located in a similar location for Bendix & SAF Holland.

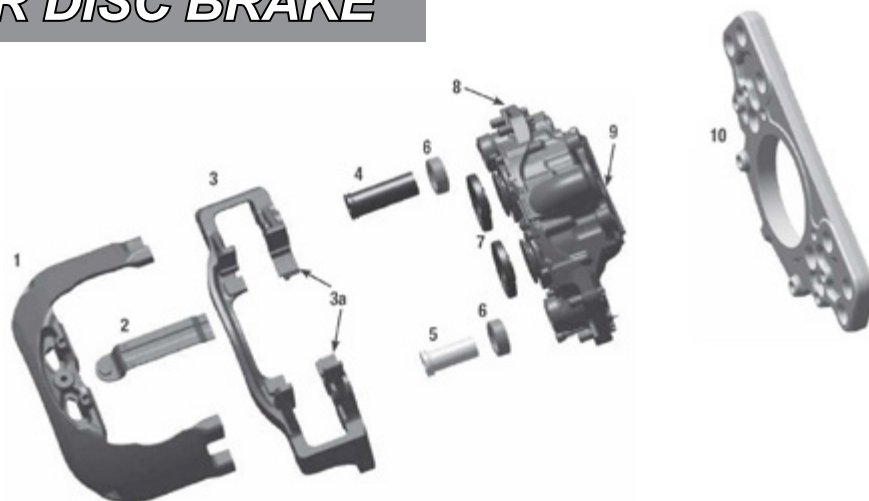
Brakes | Disc Brake Identification

Brakes | Locate Part & Serial Numbers



PARTS OF AN AIR DISC BRAKE

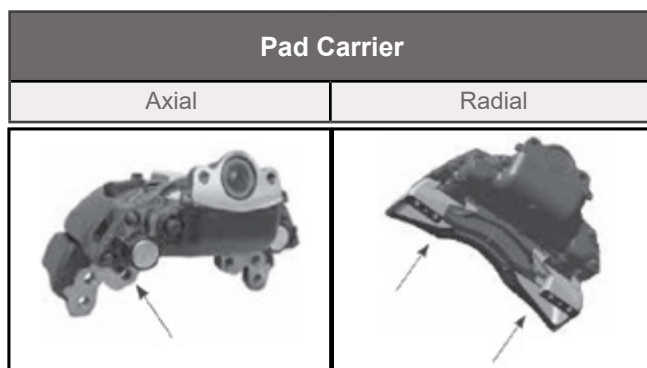
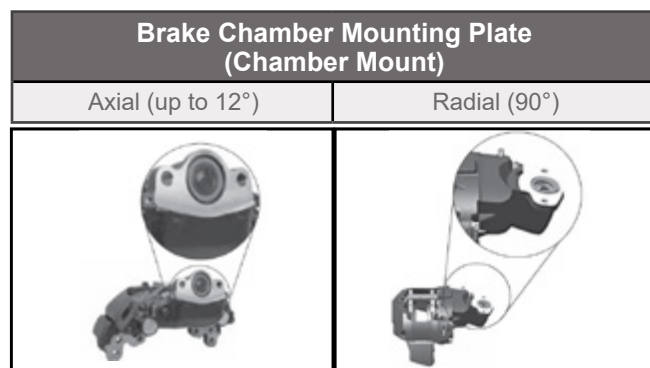
1. Caliper Bridge
2. Retainer Bar
3. Pad Carrier
- 3a. Pad Abutments
4. Long (fixed) Slide Pin
5. Short (floating) Slide Pin
6. Slide Pin Boot
7. Piston Boot
8. Caliper Housing
9. Brake Chamber Mounting Plate (Brake Mount)
10. Torque Plate / Anchor Plate



Mounting surfaces are named by their reference to the rotor.

Axial - a mounting surface that is parallel to the rotor

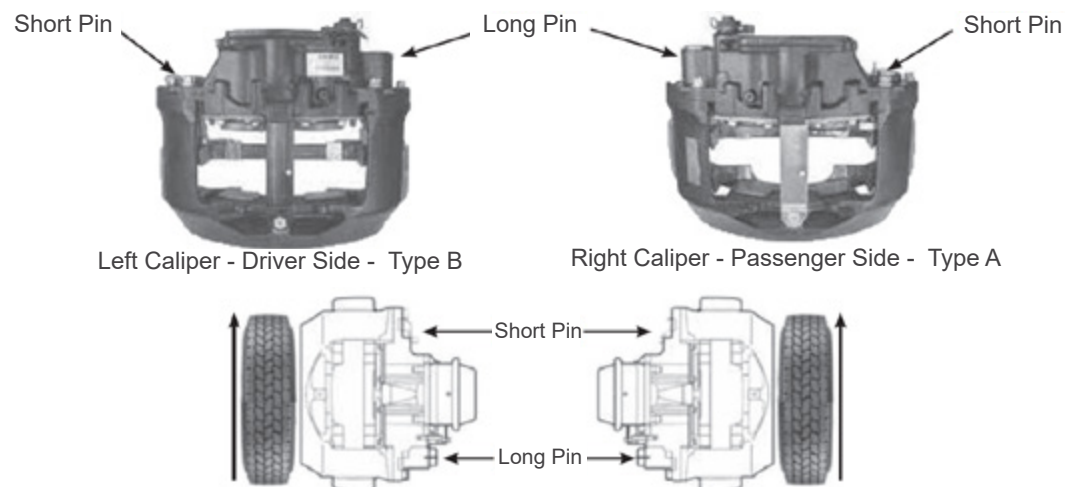
Radial - a mounting surface that is perpendicular (90°) to the rotor



CALIPER INFORMATION

Calipers are identified as Left or Right based on the location of their short or floating pin.

In most cases, a left caliper will be used on the driver's side of the vehicle. There are some exceptions where interference in the wheel well prevents this. Make sure to replace a left with a left and a right with a right.



Disc Pads



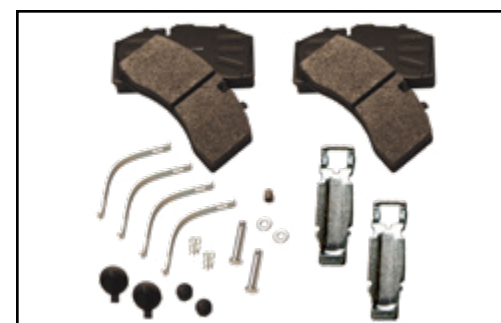
Part No.	Description	FMSI	Size
BNXK129276	Bendix ADB22X	1369	8.25"x4.25"



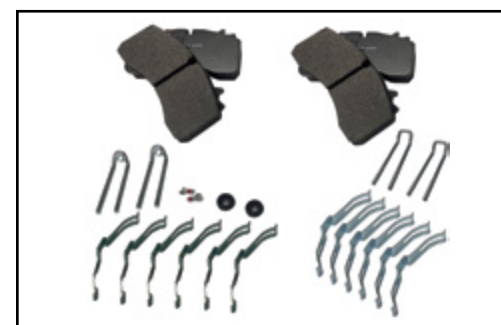
Part No.	Description	FMSI	Size
MERKIT2252H2CG	Meritor EX225H	1311	9.81"x4.56"



Part No.	Description	FMSI	Size
MERKIT2252L2CG	Meritor EX225L	1370	8.50"x4.25"



Part No.	Description	FMSI	Size
SAF03057000603	SAF Holland P89 & P89+	1369	8.50"x4.25"



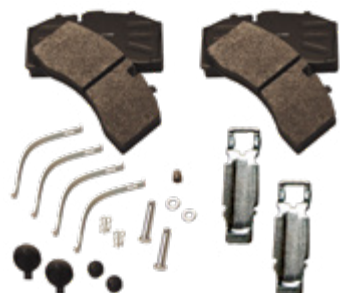
Part No.	Description	FMSI	Size
HNDS-41281-1	Hendrickson MAXX22T	1777	8.29"x4.11"



Common Disc Brakes

Rotors

For Bendix ADB22



MLBM5-1369

For SAF P89



MLBM5-29319

For Wabco PAN22/MAXX22

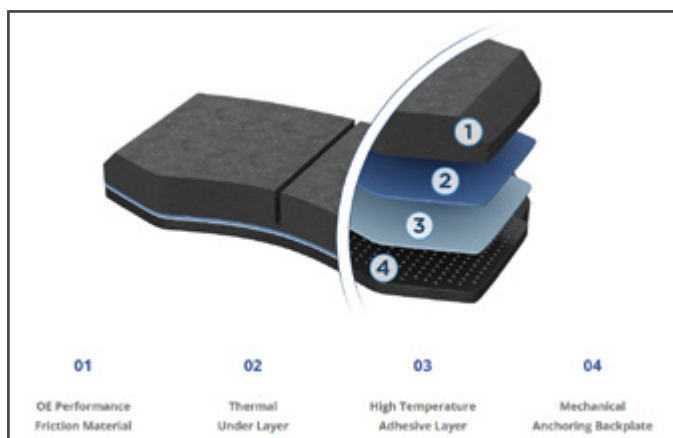


MLBM5-1777

- All product pass FMVSS121 or FMV105 compliance tests.
- Pads and Linings are N rated and compliant for the most stringent 2025 Copper Free regulations.
- Premium lining formulations are all track tested to ensure it exceeds the new Reduced Stopping Distance requirements and proven on OE builds.

Part Number	Application	FMSI	Axle Weight
MLBM5-1369	Fits ADB22X	1369	23K
MLBM5-1777	Fits PAN22/MAX22T	1777	23K
MLBM5-29319	Fits SAF P89-ST7	1369 "MOD"	23K
MLBM9-1369SD	Fits ADB22X	1369	26K
MLBM9-1777SD	Fits PAN22/MAX22T	1777	26K

Part Number	Application	FMSI	Axle Weight
BNA80430001	Fits ADB22X	1369	23K
BNA80430004	Fits PAN22	1777	23K
BNA80430009	Fits MAXX22T	1777	23K
BNA80480004	Fits ADB22X	1369	26K



Conmet ADB22X		
Part Number	CON10082074	
Application	Truck/Trailer	
Type	U-Shape	
Hole Count	10	
Bolt Hole Dia.	9.81"	
ABS Tone Ring	No	
Dimensions	In	mm
Diameter	16.93	430
Depth	5.90	150
Pilot	8.65	220
Disc Thickness	1.76	45



ConMet PAN22		
Part Number	CON10085621	
Application	Trailer	
Type	Flat	
Hole Count	10	
Bolt Hole Dia.	7.87"	
ABS Tone Ring	Yes	
Dimensions	In	mm
Diameter	16.93	430
Depth	2.09	78.50
Pilot	5.56	141.25
Disc Thickness	1.76	45



Hendrickson ADB22X-LT		
Part Number	HNDS-32193	
Application	Trailer	
Type	U-Shape	
Hole Count	10	
Bolt Hole Dia.	9.81"	
ABS Tone Ring	Yes	
Dimensions	In	mm
Diameter	16.93	430
Depth	5.91	150.11
Pilot	8.65	219.71
Disc Thickness	1.76	45



Hendrickson PAN22/HLDX		
Part Number	HNDS-38764	
Application	Trailer	
Type	U-Shape	
Hole Count	10	
Bolt Hole Dia.	9.81"	
ABS Tone Ring	Yes	
Dimensions	In	mm
Diameter	16.93	430
Depth	5.91	150.11
Pilot	8.65	219.71
Disc Thickness	1.76	45



Hendrickson MAXX22T		
Part Number	HNDS-38765	
Application	Truck	
Type	U-Shape	
Hole Count	10	
Bolt Hole Dia.	9.81"	
ABS Tone Ring	Yes	
Dimensions	In	mm
Diameter	16.33	415
Depth	5.91	150.11
Pilot	8.65	219.71
Disc Thickness	1.76	45



Hendrickson MAXX22T		
Part Number	HNDS-41533-1	
Application	Trailer	
Type	U-Shape	
Hole Count	10	
Bolt Hole Dia.	9.81"	
ABS Tone Ring	Yes	
Dimensions	In	mm
Diameter	16.93	415
Depth	5.91	150.11
Pilot	8.65	219.71
Disc Thickness	1.69	43

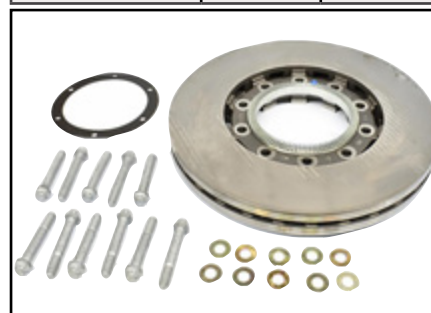




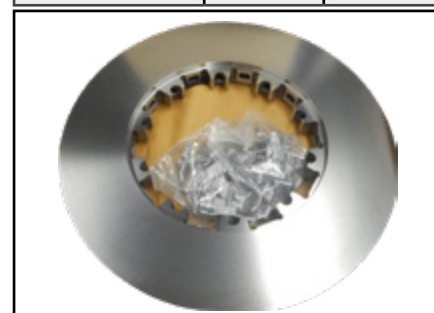
SAF Holland P89		
Part Number	SAF51830049	
Application	Truck & Trailer	
Type	U-Shape	
Hole Count	10	
Bolt Hole Dia.	9.81"	
ABS Tone Ring	Yes	
Dimensions	In	mm
Diameter	16.93	430
Depth	5.91	150.11
Pilot	8.65	219.71
Disc Thickness	1.76	45



SAF Holland P89 Plus		
Part Number	SAF51830036	
Application	Truck & Trailer	
Type	Flat	
Hole Count	10	
Bolt Hole Dia.	8.06"	
ABS Tone Ring	Yes	
Dimensions	In	mm
Diameter	16.93	430
Depth	2.27	57.65
Pilot	7.07	179.57
Disc Thickness	1.76	45



Bendix ABD22X		
Part Number	BNX802569	
Application	Truck/Trailer	
Type	Flat	
Hole Count	10	
Bolt Hole Dia.	9.81"	
ABS Tone Ring	No	
Dimensions	In	mm
Diameter	16.93	430
Depth	5.90	150
Pilot	8.65	220
Disc Thickness	1.76	45









Disc Brake Table

FMSI 1203 	FMSI 1310 	FMSI 1311 	FMSI 1312
FMSI 1323 	FMSI 1369 	FMSI 1370 	FMSI 1370 EX-LS
FMSI 1407 	FMSI 1438 	FMSI 1518 	FMSI 1525
FMSI 1526 	FMSI 1777 	FMSI 2061 	FMSI 268 Inner
FMSI 268 Outer 	FMSI LB 	Mack H Variant 	FMSI 29319



Calipers



Bendix	Webb	Hendrickson	Haldex	Description	
BNXK149714SC	---	HNDS-33647-3	---	ADB22X Curbside Air Disc Brake Caliper	
BNXK149715SC	---	HNDS-33647-2	---	ADB22X Roadside Air Disc Brake Caliper	
K149714SC	WBBBR4400-40	---	HLXRDB802984CX	ADB22X Curbside Air Disc Brake Caliper w/ Carrier - Remanufactured	
K149715SC	WBBBL4400-40	---	HLXRDB802985CX	ADB22X Roadside Air Disc Brake Caliper w/ Carrier - Remanufactured	
---	---	HNDS-33648-2	---	PAN22 Roadside Air Disc Brake Caliper	
---	---	HNDS-33648-3	---	PAN22 Curbside Air Disc Brake Caliper w/ Carrier - Remanufactured	

Meritor	Hendrickson	Description	
FCMX22T-L	HNDS-35973-L	MAXX22T Roadside Air Disc Brake Caliper	
FCMX22T-R	HNDS-35973-R	MAXX22T Curbside Air Disc Brake Caliper	
MEREX225L-202V01	---	SVC Caliper - Roadside	
MEREX225-L201V01	---	SVC Caliper - Curbside	
MEREX225K0271V01	---	SVC Caliper - Roadside	
MEREX225L-252V01	---	SVC Caliper - Curbside	



Bendix	SAF Holland	Webb	Description	
---	SAF51830052	---	MC225 LH12P Air Disc Brake Caliper Kit - Roadside	
---	SAF51830053	---	MC225 RH12P Air Disc Brake Caliper Kit - Curbside	
BNXK019181	---	WBBBL4400	MC225 LH0P Air Disc Brake Caliper Kit - Roadside	
BNXK019180	---	WBBBR4400	MC225 RH0P Air Disc Brake Caliper Kit - Curbside	
BNXK081259	---	WBBBL4700	MC225 LH12P Air Disc Brake Caliper Kit - Roadside	
BNXK081258	---	WBBBR4700	MC225 RH12P Air Disc Brake Caliper Kit - Curbside	



Bendix	Webb	Description	
BNXK081143	WBBBL4700-41	MC225 LH12P Air Disc Brake Caliper Kit - Roadside	
BNXK081142	WBBBR4700-41	MC225 RH12P Air Disc Brake Caliper Kit - Curbside	



Brake Friction

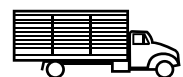


20,000 lbs Lining - Longhaul/Light Duty

Good



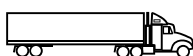
Economy Grade, meets and/or exceeds applicable federal safety standards. Manufactured to the same high standards as OE. Designed to provide superior stopping power and optimum brake life.



Better



Aftermarket Premium Grade, crack resistant, copper free, low swell and growth providing superior, consistent, and reliable performance. Has good fade, recovery, and retardation.



Best



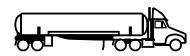
OEM Premium Grade, long lasting, crack resistant, copper free, low swell and growth providing a quiet and comfortable ride. Has excellent fade, recovery, and retardation.

23,000 lbs Lining - Tankers/Trash Hauler/Heavy Duty

Good



Economy Grade, meets and/or exceeds applicable federal safety standards. Manufactured to the same high standards as OE. Designed to provide superior stopping power and optimum brake life.



Better



Aftermarket Premium Grade, crack resistant, copper free, low swell and growth providing superior, consistent, and reliable performance. Has good fade, recovery, and retardation.



Best



OEM Premium Grade, long lasting, crack resistant, copper free, low swell and growth providing a quiet and comfortable ride. Has excellent fade, recovery, and retardation.



FLEETCRAFT BRAKE MANUFACTURING CENTER

Located in Byron Center, MI we operate our brake manufacturing center out of a dedicated 170,000 Square foot manufacturing facility. Our facility comes equipped with the latest technology to ensure a robust brake product offering. We routinely upgrade our systems to ensure we are able to manufacture our brake product to the highest industry standards. This includes our latest disc brake product offering in our Millennium brand.

Fleetcote by FleetCraft is our thermo-finishing powder-coating process that offers superior bonding and protection for our brake shoes. Our process offers a long-lasting durable coating that ensures superior performance in all environments. All of our product goes through a thorough cleaning and blasting process to ensure a perfect substrate for our powder coating process. Once powder coated we run our finished assemblies through our automated rivet process that then tests for proper torque parameters to ensure full rivet engagement. New and re-manufactured product follows the same process to ensure a durable final product.

Due to this superior process, FleetCraft offers a 3-year limited warranty on our brake shoes.

We offer a wide variety of new and re-manufactured product that is processed utilizing the Fleetcote system.



FleetCote System

Drum Brake Shoe Table



Our FleetCote System provides the following value:

- Impact resistance, flexibility, and corrosion resistance are superior to liquid paints.
- Superior consistency, durability, and uniformity.
- Salt Spray Testing greater than 400 hours.
- Resists cracking, peeling, and marring during handling and normal service use.
- Powdered coated to ensure 100% coverage.
- Compliant with Environmental Regulations.
- Fleetcraft has one of the most modern brake facilities in the country.
- Highly experienced and knowledgeable personnel.
- 3-Year Limited Warranty!



4536 12.25" X 5.5" 	4591 12.25" X 7.5" 	4661 12.25" X 5" 	4670 12.25" X 7.5" 	4700 12.25" X 4"
4536FC 12.25" X 5.5" 	4692FC 12.25" X 7.5" 	PQ4591 12.25" X 7.5" 	1443 15" X 4" 	4702 15" X 4"
4717 15" X 8.625" 	4729 15" X 4" 	1308E 15" X 4" 	1308Q 15" X 4" 	4703Q 15" X 5"
4704Q 15" X 6" 	4710Q 15" X 8.625" 	4311 16.5" X 7" 	4709 16.5" X 7" 	4711 16.5" X 8.625"
4715 16.5" X 6" 	4720 16.5" X 5" 	4515TQ 16.5" X 7" 	4515X3 16.5" X 7" 	4707TQ 16.5" X 7"
4709-2 16.5" X 7" 	4718TQ 16.5" X 8" 	4719-2 16.5" X 5" 	4725-2 16.5" X 6" 	4726-2 16.5" X 8.625"



Millenium & Fleetcraft Friction

Brake Shoes	Reline Kits	New Shoes	New Kits
M3-1308	--	--	--
M3-1308E	NLBM3-1308E	NSM3-1308E	BNKM3-1308E
M3-1308Q	NLBM3-1308Q	--	--
M8-1308E	--	--	--
M8-1308Q	--	--	--
FC20-1443	--	NSFC20-1443	--
F523-1443	NLBF523-1443	--	--
M3-1443	NLBM-1443	NSM3-1443	BNKM3-1443
M8-1443	--	--	--
M3-4311	NLBM3-4311	--	--
M8-4311	--	--	--
FT-4515C	--	--	--
FC20-4515FQ	--	NSFC20-4515FQ	--
FC23-4515FQ	NLBFC23-4515FQ	NSFC23-4515FQ	BNKFC23-4515FQ
F5204515FQ	NLBF520-4515FQ	--	--
F523-4515FQ	--	NSF523-4515FQ	BNKF523-4515FQ
M3-4515FQ	NLBM3-4515FQ	NSM3-4515FQ	BNKM3-4515FQ
M8-4515FQ	NLBM8-4515FQ	NSM8-4515FQ	BNKM8-4515FQ
FC20-4515TQ	--	FC20-4515TQN	BNKFC20-4515TQ
FC23-4515TQ	NLBFC23-4515TQ	FC23-4515TQN	BNKFC23-4515TQ
M3-4515TQ	NLBM3-4515TQ	NSM3-4515TQ	BNKM3-4515TQ
M8-4515TQ	NLBM8-4515TQ	NSM8-4515TQ	BNKM8-4515TQ
F520-4515TQ	NLBF520-4515TQ	--	--
F523-4515TQ	NLBF523-4515TQ	NSF523-4515TQ	--
M3-4591	--	--	--
M8-4591	--	NSM8-4591	BNKM8-4591
M3-PQ4591	--	NSM3-PQ4591	BNKM3-PQ4591
M8-PQ4591	NLBM8-PQ4591	NSM8-PQ4591	BNKM8-PQ4591
KVT-4592AGIL	--	NSKVT-4592AGILN	--
--	--	NSKVT-4592AXXGILN	--
M3-4661FC	--	NSM3-4661FC	--
M3-PQ4661	--	NSM3-PQ4661	--
M3-4692FC	NLBM3-4692FC	NSM3-4692FC	BNKM3-4692FC
M3-4692HXS	--	NSM3-4692HXS	--
M8-4692FC	NLBM8-4692FC	NSM8-4692FC	BNKM8-4692FCN
M8-4692HXS	--	--	--
M3-4700	--	--	--
M3-PQ4700	--	NSM3-PQ4700	--

Brake Shoes	Reline Kits	New Shoes	New Kits
FC20-4702QP	--	--	--
M3-4702QP	NLBM3-4702QP	NSM3-4702QP	BNKM3-4702QP
M8-4702QP	NLBM8-4702QP	NSM8-4702QP	BNKM8-4702QP
FC20-4707QP	NLBFC20-4707QP	FC20-4704QPN	BNKFC20-4707QP
FC23-4707QP	NLBFC23-4704QP	FC23-4707QPN	BNKFC23-4707QP
M3-4707QP	NLBM3-4707QP	NSM3-4704QP	BNKM3-4704QP
M8-4707QP	NLBM8-4707QP	NSM8-4707QP	BNKM8-4704QP
F520-4704QP	NLBF520-4707QP	--	--
F523-4704QP	NLBF523-4707QP	NSF523-4704QP	BNKF523-4704QP
FC20-4709	--	--	--
FC23-4709	--	--	--
M3-4709	NLBM3-4709	--	--
FC20-4709-2	--	--	--
FC23-4709-2	NLBFC23-4709-2	--	--
M3-4709-2	NLBM3-4709-2	NSM3-4709-2	BNKM3-4709-2
M8-4709-2	NLBM8-4709-2	NSM8-4709-2	BNKM8-4709-2
M3-4710QP	NLBM3-4710QP	--	--
M8-4710QP	NLBM8-4710QP	NSM8-4710QP	BNKM8-4710QP
FC20-4711QP	--	--	--
M3-4711QP	NLBM3-4711QP	NSM3-4711QP	BNKM3-4711QP
M8-4711QP	NLBM8-4711QP	NSM8-4711QP	BNKM8-4711QP
FC23-4711QP	--	--	--
FC20-4715QP	--	--	--
FC23-4715QP	--	NSFC23-4715QP	BNKFC23-4715QP
M3-4715QP	NLBM3-4715QP	--	--
M8-4715QP	--	NSM8-4715QP	BNKM8-4715QP
FC20-4718QP	--	--	--
FC23-4718QP	--	--	--
M3-4719-2	NLBM3-4719-2F	NSM3-4719-2	BNKM3-4719-2F
M8-4719-2	--	NSM8-4719-2	BNKM8-4719-2F
FC20-4720QP	--	--	--
FC23-4720QP	--	--	--
M3-4720QP	NLBM3-4720QP	NSM3-4720QP	BNKM3-4720QP
M8-4720QP	NLBM8-4720QP	NSM8-4720QP	BNKM8-4720QP
M3-4725-2	--	NSM3-4725-2	--
M8-4725-2	NLBM8-4725-2F	NSM8-4725-2	BNKM8-4725-2F
M3-4726-2	NLBM3-4726-2	NSM3-4726-2	BNKM3-4726-2
M8-4726-2	NLBM8-4726-2	NSM8-4726-2	BNKM8-4726-2

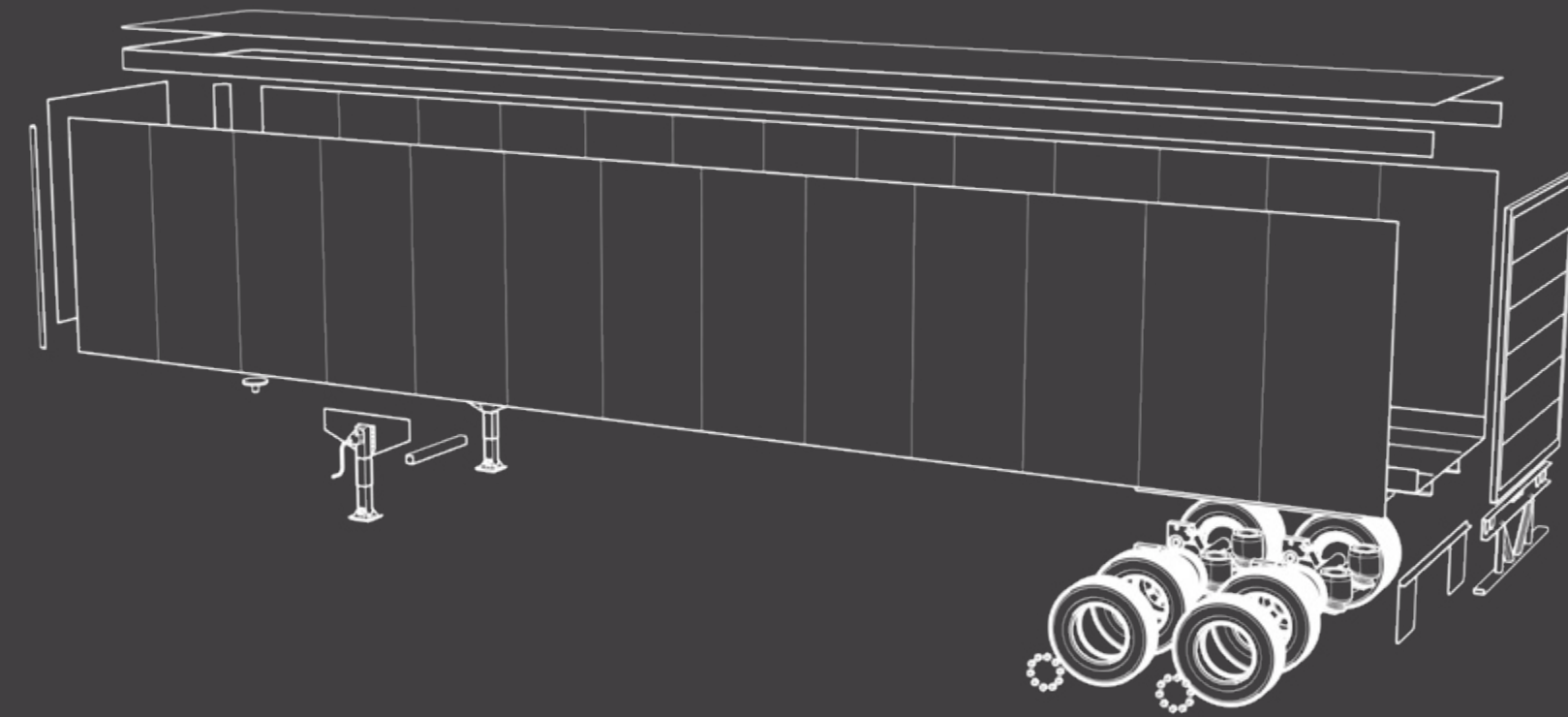
Brake Drums

Webb	Fleetcraft	Alternate	Description	Size	Holes	Bolt Circle	Depth	Mount	Pilot
WBB63680F	--	--	Brake Drum	12.25"x7.5"	8	10.83"	11.22"	OB	9"
WBB61528B	WBB1602429	CON10081828	Brake Drum	15"x4"	10	11.25"	8.86"	OB	8.78"
WBB65548B	WBB1602430	CON10009920	Brake Drum, Balanced	15"x4"	10	11.25"	9.04"	OB	8.78"
WBB61991F	--	--	Brake Drum	15"x8.625"	10	11.25"	11.75"	OB	8.78"
WBB56864B	WBB1302467	--	Brake Drum, Balanced	16.5"x7"	10	11.25"	10.52"	OB	8.78"
WBB62200F	WBB1602401	--	Brake Drum	16.5"x7"	10	11.25"	9.5"	IB	9.44"
WBB68730F	WBB1602402	--	Brake Drum	16.5"x7"	10	11.25"	8.75"	IB	9.5"
WBB66893F	WBB1602407	--	Brake Drum	16.5"x7"	10	11.25"	10.62"	OB	8.53"
WBB66353F	WBB1602432	--	Brake Drum	16.5"x7"	10	11.25"	11.18"	OB	8.78"
WBB66864B	--	--	Brake Drum, Balanced	16.5"x7"	10	11.25"	10.52"	OB	8.78"
WBB96864B	--	89996B	Steel Shell Drum	16.5"x7"	10	11.25"	10.41"	OB	8.78"
WBB67518F	WBB1602400	--	Brake Drum	16.5"x7"	5 or 6	5 = .78" 6 = .66"	8.38"	IB	9.44"
WBB77809BW	--	--	Brake Drum	16.5"x8.625"	10	11.25"	11.46"	OB	8.78"
WBB66854F	WBB1602434	CON10012097	Brake Drum, Balanced	16.5"x8.625"	10	11.25"	11.46"	OB	8.78"





**ROAD EQUIPMENT
PARTS CENTER**



Cargo Control Parts



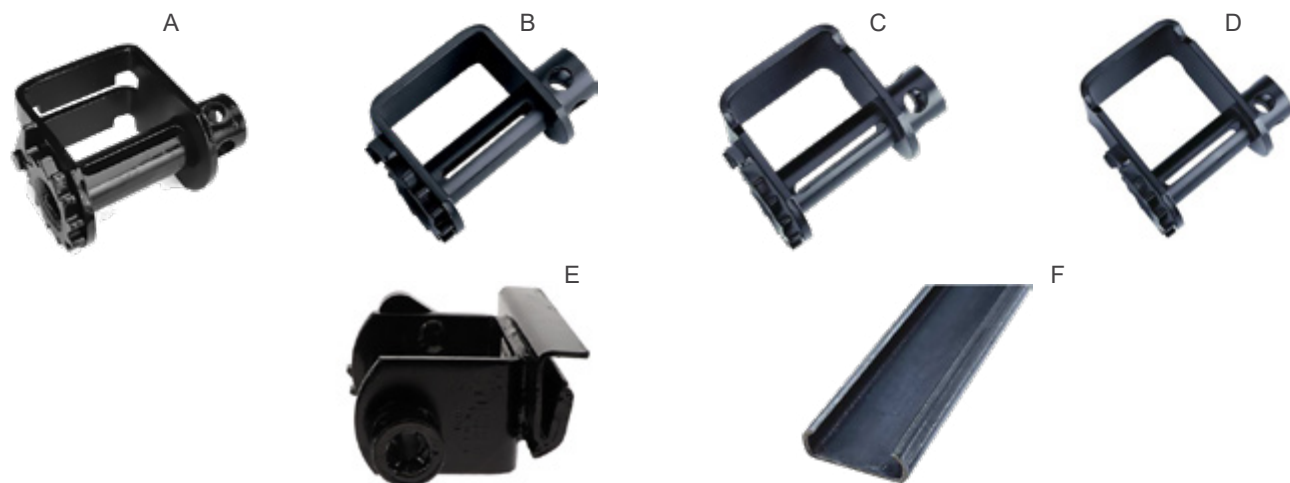
Binders

Part Number	Description	Fits Chain Size	Handle Length	Work Load Limit	Image
DR-1-PLUS	Heavier Duty Ratchet Binder, 1" Screw Diameter	3/8"-5/16"	15.5"	8,800 lbs	A
LDR-38-10	Lighter Duty Ratchet Binder, 7/8" Screw Diameter	3/8"-5/16"	15"	7,100 lbs	A
DR-2	Heavier Duty Ratchet Binder, 1" Screw Diameter	1/2"-3/8"	15.5"	12,000 lbs	A
KIN10035HD	Ratchet Style Chain Binder	3/8"-1/2"	13.75"	9,200 lbs	B
KIN10036	Lever Style Chain Binder	5/16"-3/8"	13.75"	5,400 lbs	C
KIN10036MD	Lever Style Chain Binder, Clevis Grab Hook	5/16"-3/8"	13.75"	6,600 lbs	C



Winches

Part Number	Description	Size	Load Limit	Storage Capacity	Image
KIN1020	Standard Sliding Double L Winch	7.6"x3.9"	5,000 lbs	+/- 20 ft	A
KIN1820	Standard Weld-On Winch	7.8"x3.5"	6,670 lbs	+/- 20 ft	B
KIN3820	Standard Sliding C Channel Winch	7.6"x3.9"	6,670 lbs	+/- 27 ft	C
KIN5820	Storable Sliding C Channel Winch	7.6"x3.9"	6,670 lbs	+/- 30 ft	D
ACR49706-10	Standard Wilson Track Sliding Web Winch	7.9"x4.9"	5,500 lbs	--	E
KIN3606	Steel C Channel Winch Track for Sliding Winches	1/4"x6'	--	+/- 6 ft	F



Chains

Part Number	Description	Size	Load Limit
3532-725-55	Binder Chain w/ Clevis Hooks, G70	1/2"x20'	11,300 lbs
3524-623-56	Binder Chain w/ Clevis Hooks, G70	3/8"x16'	6,600 lbs
3583-520-15	Binder Chain w/ Clevis Hooks, G70	3/8"x20'	6,600 lbs
3521-626-57	Binder Chain w/ Clevis Hooks, G70	5/16"x25'	4,700 lbs
3562-320-05	Binder Chain w/ Clevis Hooks	5/16"x20'	4,700 lbs



3583-520-15

Winch Straps

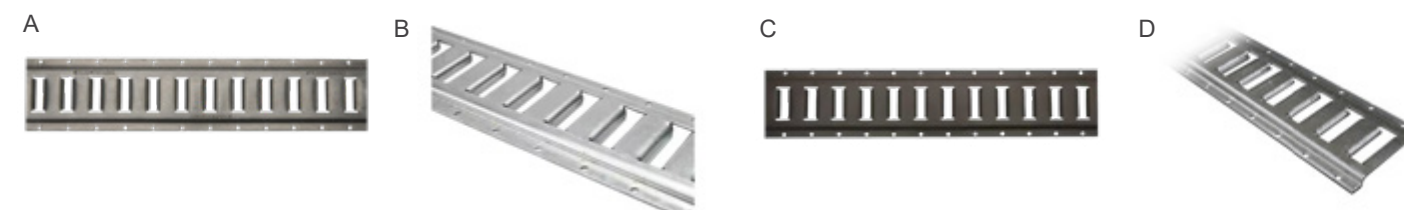
Part Number	Description	Size	Load Limit
FC430FH	Fleetcraft Flat Hook Winch Strap	4"x30'	5,400 lbs
KIN422721	Kinedyne Flat Hook Winch Strap	4"x27'	5,400 lbs
KIN423021	Kinedyne Flat Hook Winch Strap	4"x30'	5,400 lbs
KIN4630D3	Kinedyne Rhino MAX Flat Hook Winch Strap	4"x30'	6,670 lbs
KIN323021	Kinedyne Flat Hook Winch Strap	3"x30'	5,400 lbs



KIN422721

E-Tracks

Part Number	Description	Size	Image
43001-624	E-Track, Horizontal, Galvanized, Painted, 12 Gauge	52"	A
H43001	E-Track, Horizontal, Galvanized, 12 Gauge	10'	B
H43002	E-Track, Horizontal, 12 Gauge	10'	C
SUPAR023100	E-Track, Horizontal, Galvanized, 12 Gauge	52"	D





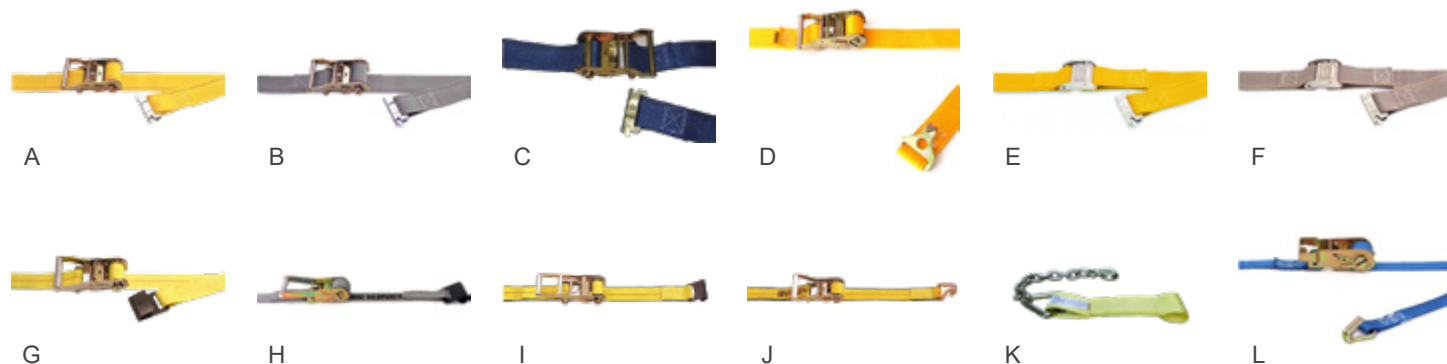
Ratchet Straps



Don't see the strap you need, please scan the QR code to the right for more ratchet strap options from Kinedyne.



FLEETCRAFT	KINEDYNE	Type	Width	Length	End	Color	Load	Image
FC212E	KIN641201	Logistic	2"	12'	Spring Loaded E or A Fitting	Yellow	1,000 lbs	A
FC216E	KIN641601	Logistic	2"	16'	Spring Loaded E or A Fitting	Gray	1,000 lbs	B
--	KIN642001	Logistic	2"	20'	Spring Loaded E or A Fitting	Blue	1,000 lbs	C
--	KIN642015	Logistic	2"	20'	1 Inch Notched Hole Track Key	Yellow	670 lbs	D
--	KIN651201	Logistic - Cam Buckle	2"	12'	Spring Loaded E or A Fitting	Yellow	835 lbs	E
--	KIN651601	Logistic - Cam Buckle	2"	16'	Spring Loaded E or A Fitting	Gray	835 lbs	F
FC227FH	KIN512720	Ratchet	2"	27'	Flat Hook	Yellow	3,335 lbs	G
--	KIN562723	Rhino Ratchet	2"	27'	Flat Hook	Rhino Gray	4,000 lbs	H
FC230FH	KIN513020	Ratchet	2"	30'	Flat Hook	Yellow	3,335 lbs	I
--	KIN512784	Ratchet	2"	27'	Wire Hook	Yellow	3,335 lbs	J
--	KIN559940	Ratchet - Chain Anchor	3"	18"	Chain Anchor	Yellow	--	K
--	KIN711281PK	Utility Ratchet	1"	12'	Wire Hook	Blue	835 lbs	L
--	KIN761587PK	Utility Ratchet	1"	15'	"S" Hook	Blue	500 lbs	L



Tarp Straps

Part No.	Description	Length	Material
52210GLM	Tarp Strap	10"	EPDM
52215GLM	Tarp Strap	15"	EPDM
52221GLM	Tarp Strap	21"	EPDM
52231GLM	Tarp Strap	31"	EPDM
52241GLM	Tarp Strap	41"	EPDM



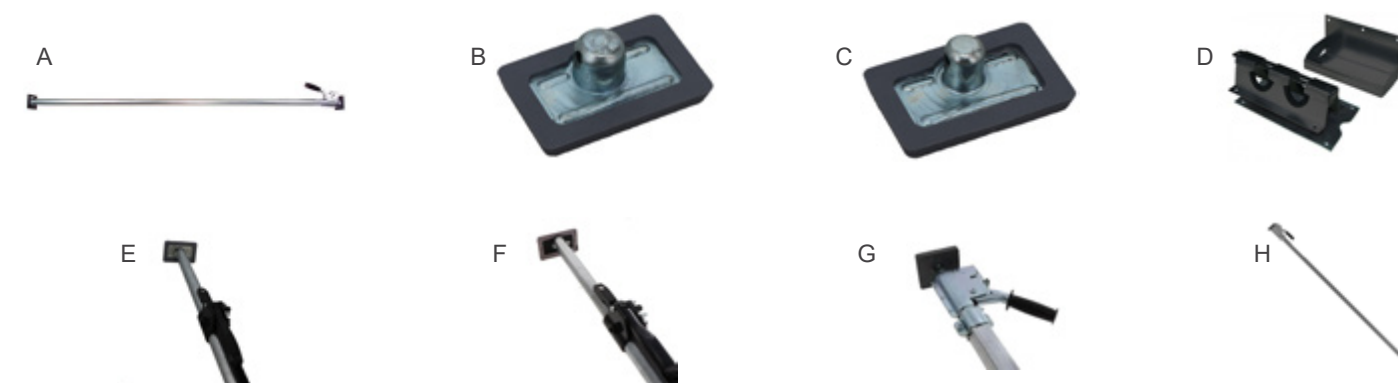
Load Bars



Don't see the load bar you need, please scan the QR code to the right for more load bar options from Kinedyne.

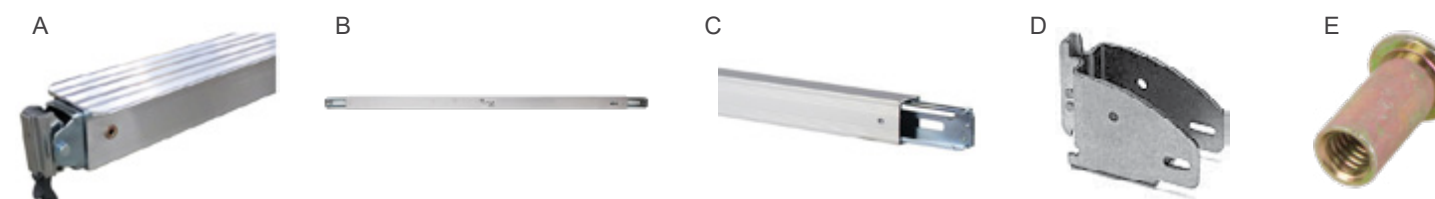


Part No.	Description	Working Length	Material	
EM-801	One Piece Jacking Type Load Bar - 1.66" Round	84"-105"	Zinc Plated Steel	A
KIN10052	Replacement Bolt-On Rubber Foot for Small Saf-T-Lok Bar Tube	--	--	B
KIN10053	Replacement Bolt-On Rubber Foot for Large Saf-T-Lok Bar Tube	--	--	C
KIN10062	BarTender® - Cargo Bar Holder for 2 Logistic Bars	--	Neoprene Cushion	D
KIN10085	Saf-T-Lok Bar	90"-105"	Steel	E
KIN10088	Saf-T-Lok Bar	90"-105"	Aluminum	F
KINJB101	Square One-Piece Jack Bar	86"-104"	Galvanized Steel	G
KINJB101XL	Extra Long Square One-Piece Jack Bar	86"-114"	Galvanized Steel	H



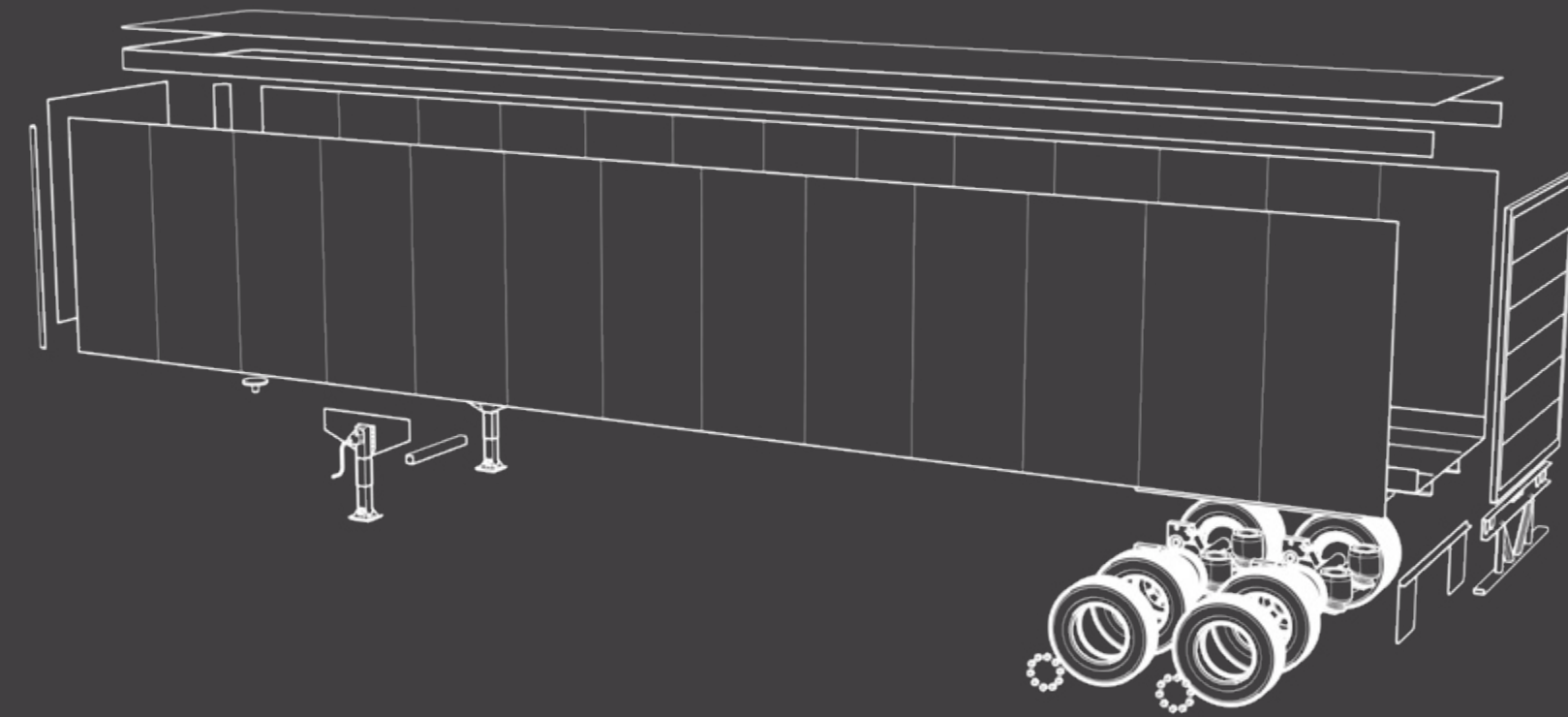
Beams

Part No.	Description	Adjustment Range	
ACR50759-12	Narrow Shoring Beam Assembly for Lift a Deck 2 Track	97.3"-108.8"	A
KINFE8000-12	Heavy-Duty Series E or A Decking/Shoring Beam	91.9"-102.3"	B
KINFE8066-3	Series E or A Decking/Shoring Beam	91.9"-102.3"	C
KIN1845	Series E or A Wood Beam Socket	--	D
KIN80168-11	Replacement Nut to Attach Beam Head Assemblies to Beams	--	E





**ROAD EQUIPMENT
PARTS CENTER**



**Chemical &
Shop Supply**



Diesel 9-1-1®

Diesel Fuel Supplement +Cetane Boost is intended for use only during cold winter months when temperatures drop below +30F. Use Diesel Kleen +Cetane Boost (in the silver bottle) for peak performance in non-winter months. If your vehicle will not start or gain power in cold temperatures, use Diesel 911 (in the red bottle).



Part No.	Description	Size	Qty
POW1026-12	Diesel Supplement Antigel + Cetane Boost	26 oz	12
01064-06	Diesel Supplement Antigel + Cetane Boost	64 oz	6
01050-02	Diesel Supplement Antigel + Cetane Boost	2.5 Gal	2
01055-01	Diesel Supplement Antigel + Cetane Boost	55 Gal	1
POW8026-12	Diesel 9-1-1 Additive	26 oz	12
08064-06	Diesel 9-1-1 Additive	64 oz	6
202032	Winter Pow-R® Plus Diesel Anti-Gel	32 oz	12
202132	Winter Thaw® Emergency Diesel	32 oz	12



POW8026-12 POW1026-12



202032 202132

DEF

Part No.	Description	Size	Qty
DEF25	Diesel Exhaust Fluid	2.5 Gal	1
DEFD	Diesel Exhaust Fluid	55 Gal	1



DEF25

Air Brake Anti-freeze

Part No.	Description	Size	Qty
5632	Air Brake Anti Freeze	32 oz	12
PNR5601	Air Brake Anti Freeze	1 Gal	1



5632

Anti-freeze

Part No.	Description	Size	Qty
1010044	Antifreeze Green 50/50	1 Gal	1
1010046	Antifreeze Shell Rotella Red Extended Life 50/50	1 Gal	1
1010047	Antifreeze Pure Fleet Red 50/50	1 Gal	1
1010054	Antifreeze Green Concentrate	1 Gal	1
1010056	Antifreeze Shell Rotella Red Concentrate Extended Life	1 Gal	1
1010057	Antifreeze Pure Fleet Red Concentrate Extended Life	1 Gal	1
1010058	Antifreeze Pure Fleet Red Concentrate Extended Life	55 Gal	1



1010056

Adhesive Sealants

Non-sag for vertical and overhead applications. Superior adhesion and durability. Smooth finish. Paintable, stainable and sandable. Water immersible & waterproof after cure.

Part No.	Description	Size	Type	Color	Qty
1100845	Adhesive Sealant	10.3 oz	Neoprene	Gray	36
1100846	Adhesive Sealant	10.3 oz	Neoprene	White	36
1100851	Adhesive Sealant	10.3 oz	Polyurethane	Gray	30
90891	SIKAFLEX Adhesive Sealant	10.3 oz	Polyurethane	White	24
90892	SIKAFLEX Adhesive Sealant	10.3 oz	Polyurethane	Gray	24



Caulk/Sealant

Part No.	Description	Size	Type	Color	Qty
1100848	Sealant	11 oz	Silaprene	Gray	24
1100850	Sealant	11 oz	Silaprene	White	24
1190161	Sealant	10.1 oz	Silicone	Clear	24
1190162	Sealant	10.1 oz	Silicone	White	24
1190163	Sealant	10.1 oz	Silicone	Gray	24



1100850



1190161



INSTA-FOAM

DuPont Sealant provides a barrier against air infiltration and helps seal out moisture, dust, pests, and smoke. Ideal for gaps less than 4in wide.

Part No.	Description	Coverage	Density
FP12KIT	Insta-Foam Froth Pak™	12 Board Feet	1.75
FP200	Insta-Foam Froth Pak™	200 Board Feet	1.75
FP620	Insta-Foam Froth Pak™	620 Board Feet	1.75



FP12KIT



Spray Paint



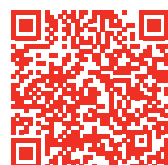
Part No.	Description	Qty
1016842	Spray Coating Shiny Galvanized 13 OZ Net 65% Zinc 13 OZ Can	12
700-99-307-20	Spray Paint Gloss Blk-High Solid 20 OZ/15-17 OZ FIL	12
700-99-310-20	Spray Paint Gloss White-High Solid 20 OZ/15-17 OZ FIL	12
700-99-312-20	Spray Paint LT Gry Prim-High Solid High 20 OZ-15-17 OZ FIL	12
700-99-39-20	Spray Paint Black Low-Solid 20 OZ/15-17 OZ FIL	12
700-99-41-20	Spray Paint Red Oxide Primer 20 OZ/15-17 OZ FIL	12
700-99-42-20	Spray Paint Red Low-Solid 20 OZ/15-17 OZ FIL	12
700-99-43-20	Spray Paint White Low-Solid 20 OZ/15-17 OZ FIL	12
700-99-44-20	Spray Paint Flat Black Lo-Sld 20 OZ/15-17 OZ FIL	12
700-99-45-20	Spray Paint Non-Smudge Alum 20 OZ/15-17 OZ FIL	12
700-99-561-20	Spray Paint Gray High Solid 20 OZ/15-17 OZ FIL	12
700-99-68-20	Spray Paint Lt Gray Primer 20 OZ/15-17 OZ FIL	12
1210300	Spray Enamel Gloss White 11 OZ Net WT Can 16 OZ Can	12
1210303	Spray Enamel Gloss Black 11 OZ Net WT Can 16 OZ Can	12
1210304	Spray Enamel Flat Black 11 OZ Net WT Can 16 OZ Can	12
1210306	Spray Enamel Light Gray 11 OZ Net WT Can 16 OZ Can	12
1210311	Spray Enamel Bright Red 11 OZ Net WT Can 16 OZ Can	12
1210326	Spray Enamel Dull Aluminum 11 OZ Net WT Can 16 OZ Can	12
1210340	Spray Primer All Purpose Gray 11 OZ Net WT Can 16 OZ Can	12
1210344	Spray Primer Red Rust Resistant 11 OZ Net WT Can 16 OZ Can	12
1210363	Spray Enamel Ford Dark Blue 11 OZ Net WT Can 16 OZ Can	12



Dynatex® Sealants



Dynatex manufactures and packages sealants, adhesives and maintenance products for the Automotive, Heavy Duty, Fastening, Industrial, Manufacturing and Marine Industries.



Part No.	Description	Qty
49200	Dynatex Black Silicone Sealant 3 OZ Tube	12
49202	Dynatex Red Silicone Gasket Maker High Temp 3 OZ	12
49203	Dynatex Blue Silicone Gasket Maker 3 OZ Tube	12
49442	Dynatex Threadlocker Blue Medium Strength 24 ML Tube	12
49494	Dynatex Thread Sealant w/ Teflon 4 OZ Brushtop	12
49558	Dynatex Anti-Sieze Lubricant 8 OZ Brushtop Bottle	12
49576	Dynatex Anti-Sieze Aero 12 OZ Can	12
56400	Dynatex Silk-Pak 5th Wheel Grease	12



Windshield Washer Fluid

Part No.	Description	Size	Qty
WW1G	Windshield Wash Solvent (-20)	1 Gal	6
WW55G	Windshield Wash Solvent (-20)	55 Gal	1
5006BW	Windshield Wash Summer Bug Wash	1 Gal	6
WWF-30	Washer Fluid De-Icer Gallon	1 Gal	6



Brake Cleaner

Part No.	Description	Size	Qty
BC-1	Brake Cleaner, Chlorinated	19 oz	12
M715	Brake Cleaner, Non-Chlorinated	14 oz	12
1215	Brake Cleaner, Low Voc, Non-Chlorinated	14 oz	12
CYCPYNVOC15	Brake Cleaner, 50 State Formula, Non-Chlorinated	15 oz	12



CYCLO Cleaners

Part No.	Description	Qty
CYCC-1	Carb Cleaner 13 OZ Net WT	12
CYCC-10	Break Away First Penetrating Oil 13 OZ Net WT PB16	12
CYCC-108C	Brake Cleaner Low Odor Non-Chlorinat 18 OZ Net WT Not Sold in CA, UT	12
CYCC-111C	Brake Cleaner Non-Chlorinated 15 OZ Net WT Can Fast Drying	12
CYCC-120	Battery Cleaner & Acid Leak Detector 15 OZ Net WT	12
CYCC-121	Battery Protect 11 OZ Net WT	12
CYCC-30	Engine Clean Degreaser 16 OZ Net WT	12
CYCC-331	Glass Cleaner Extra Strength Foam 19 OZ Net WT	12
CYCC-33V	Silicone Spray Heavy Duty 10 OZ Net WT	12
CYCC-34	White Grease Food Grade NSF: H1 11 OZ Net WT Food Grade	12
CYCC-35	Rubber Undercot Body Shop Formula 17 OZ Net WT Can	12
CYCC-392	Max Clean Foam Aersol 18 OZ Net WT All Purpose Clean	12
CYCC-400	Penetrating Oil Fast Penetrating 11 OZ Net WT Can PB16	12
CYCC-661	Graphite Lube Chain & Cable 16 OZ Net WT	6
CYCPYSFR11	Starting Fluid	12





Floor Restore

KEY Floor Restore is both an epoxy floor coating and a structural epoxy adhesive. It is a lightweight, flexible epoxy system that fills gouges, small cracks, and delaminations, and waterproofs the entire floor. Floor Restore is a penetrating VOC-free epoxy floor coating product that structurally bonds wood fibers and delaminations, creating a stronger trailer or truck flooring structure that is tough enough to stand up to the most punishing cargos! Floor Restore provides a durable coating that is low maintenance and easy to clean.

Part No.	Description	Color
EC1055AB	Floor Restore Kit - 48' Trailer, Solvent Free	Clear
EC53AB	Floor Restore Kit - 53' Trailer, Solvent Free	Clear
FP100-BULK	Crack Filler Kit, 32 oz, 3 Pack	--
FP100-QT	Crack Filler, 1 Quart	--



KEY POLYMER



EC53AB



FP100-Bulk

Smoke Bombs

Easily assess whether or not your dryvan trailer is weather tight. The smoke is a visual indicator of penetrations that may not be easily visible that could cause downstream failures in your dryvan trailer.

Part No.	Description	Qty
3C-SMOKE	Smoke Bomb - 3 Minute	12



Misc Chemicals

Part No.	Description	Qty
1010052	Kroil Penetrant - 16.5 oz Aerosol	12
1010053	Hot Shot Starting Fluid, 45% Ether - 11 oz Aerosol	12
AS11	Fluid Film Corrosion Inhibitor - 11.75 oz Aerosol	1
LIQ0288	Truck Wash Concentrate - Gallon Jug	4
LIQ0847	Aluminew Aluminum Brightener and Cleaner	12
PB16	B'Laster Penetrant - 11 oz Aerosol	12



1010052 1010053 AS11 PB16



LIQ0288 LIQ0847

Lucas Oil Products

Fuel Your Engine's Performance — Formulated For Both Gasoline & Diesel Engines, Carbureted Or Fuel Injected. Start Now! Our Powerful Line Of Automotive Oils & Additives Keep Your Engine Healthy.

Part No.	Description	Size	Qty
L10001	Oil Stabilizer	32 oz	12
L10002	Oil Stabilizer	1 Gal	4
L10043	80/90 Weight Gear Oil	32 oz	12
L10088	Hub Oil Stop Leak	32 oz	12
L10130	Synthetic Oil Stabilizer	32 oz	12
L10131	Synthetic Oil Stabilizer	1 Gal	4
L10279	Oil Stop Leak	1 Gal	4



L10001



L10043



L10088



L10130



L10131



L10279



L10002

Grease, ATF, and Oil

Part No.	Description	Size	Qty
31601DEL	Chevron Grease, Synthetic SFE, Bucket	30 lb	1
MYS1412052	JT-6 Synthetic Grease, #00, Bucket	35 lb	1
1412016	JT-6 High Temperature Grease, #2, RED, Tube	14 oz	10
1412023	JT-6 High Temperature Grease, #2, RED, Bucket	35 lb	1
3150	Castrol Grease, Pyroplex Blue, #2, Tube	14 oz	10
39000-1012FG	Todco Roller Door Lube, Food Grade, Aerosol	12 oz	12
MYS1412060	ATF, Citgo 668, Syndurance, Bucket	5 Gal	1
1412043	Transmission Lube, 50 weight, Bucket	5 Gal	1
SH1	Shell Rotella 15W40 Oil	1 Gal	3
SH5	Shell Rotella 15W40 Oil, Bucket	5 Gal	1
AW32	Hydraulic Oil, Bucket	5 Gal	1



31601DEL



AW32



SH1



1412016



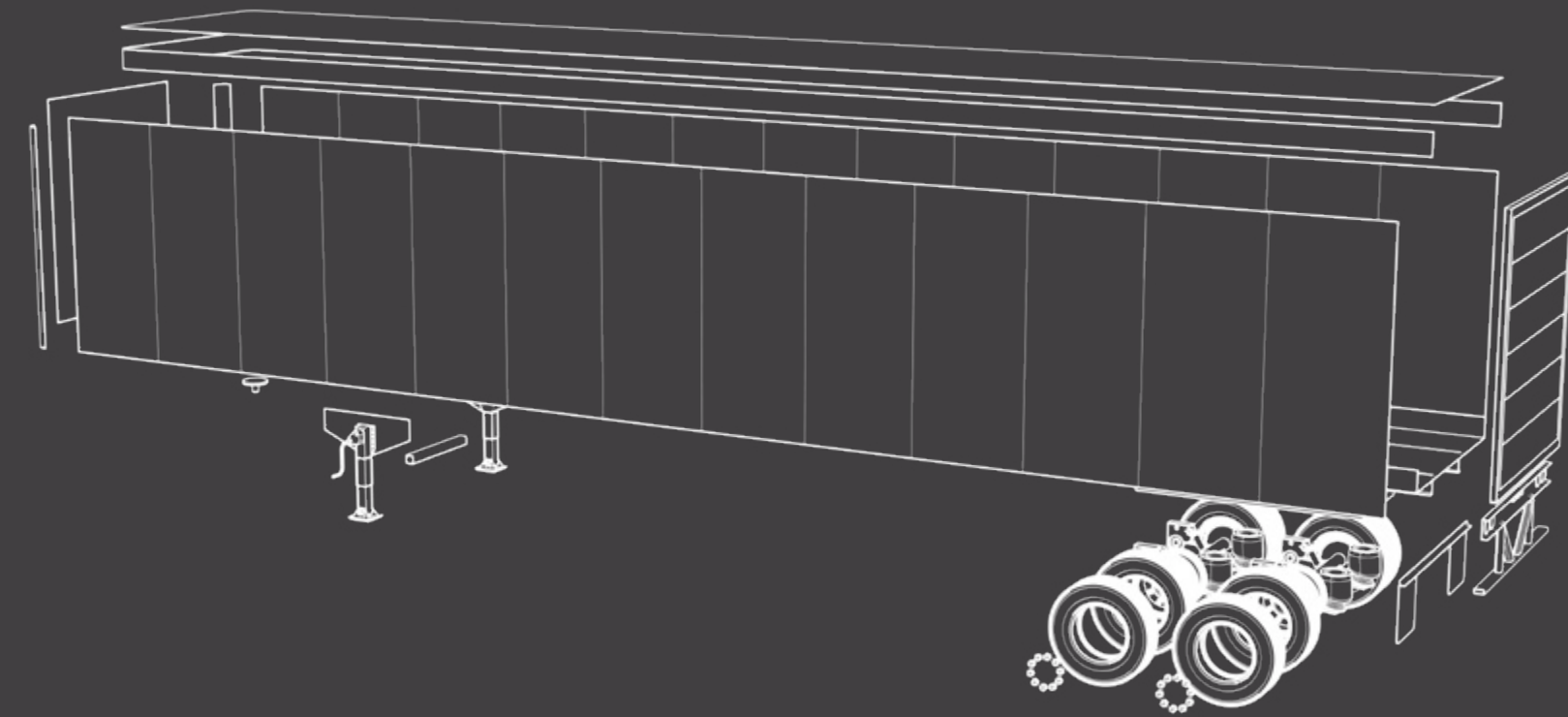
3150



39000-1012FG



**ROAD EQUIPMENT
PARTS CENTER**



Couplers



Fontaine Plates

Part Number	Description	Max. Vertical Load	Gross Combined Weight	Image
SLTPL6000	6000 Series Left-Hand Manual Release Top Plate	50,000 lbs	95,000 lbs	A
SLTPL7000	7000 Series Left-Hand Manual Release Top Plate	55,000 lbs	140,000 lbs	B



A



B

Jost Plates

Part Number	Description	Max. Vertical Load	Max. Horizontal Load
JST37USA	JSK37U Cast Top Plate, Standard Lube, Air Release	55,000 lbs	150,000 lbs
JST37USL	JSK37U Cast Top Plate, Standard Lube, Lefthand Release	55,000 lbs	150,000 lbs
JST37UWL	JSK37U Cast Top Plate with Low Lube Plates, Lefthand Release	55,000 lbs	150,000 lbs
JST37YSA-YM10X	JSK37Y Cast Top Plate, Standard Lube, Air Release, 9.85" Mount	50,000 lbs	150,000 lbs
JST37010-PM8X	JSK37U Assembly Drop Handle, Lefthand Release	55,000 lbs	150,000 lbs



JST37USA



JST37USL



JST37UWL

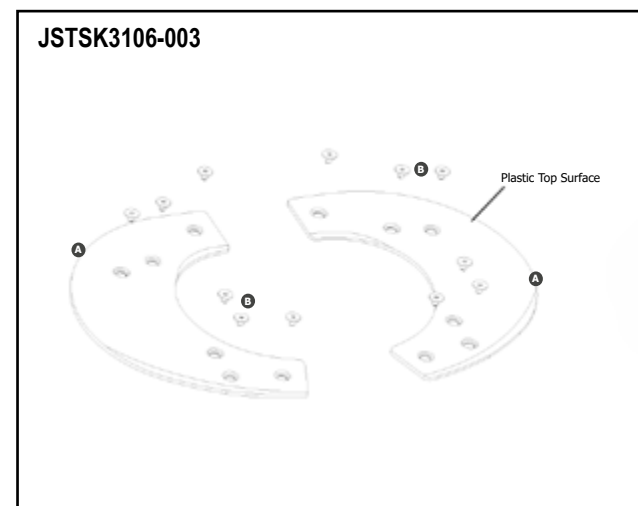
Fontaine Kit

Part Number	Description
KIT-RX-67NTL	Major Rebuild Kit for Left-Hand 6000/7000/UNT Top Plates

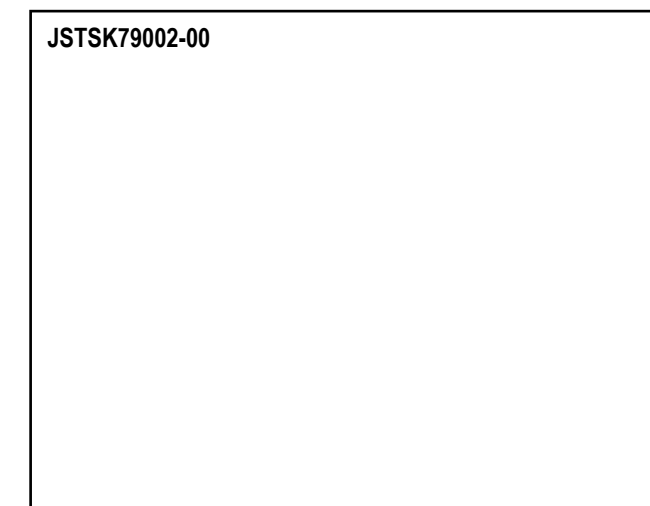
*** KIT-RX-67NTL includes all moving pieces inside the top plate, but does not include bracket pins, bushings, or Clean Connect plate kits.



Jost Kits



Part Number	Description
JSTSK3106-003	37UWL Low Lube Liner Plate Replacement Kit

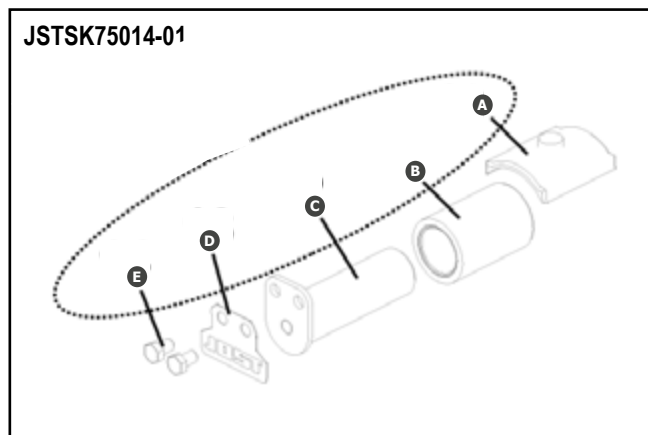


Part Number	Description
JSTSK79002-00	37U Retainer & Cushion Ring w/ Insert Pieces (2)

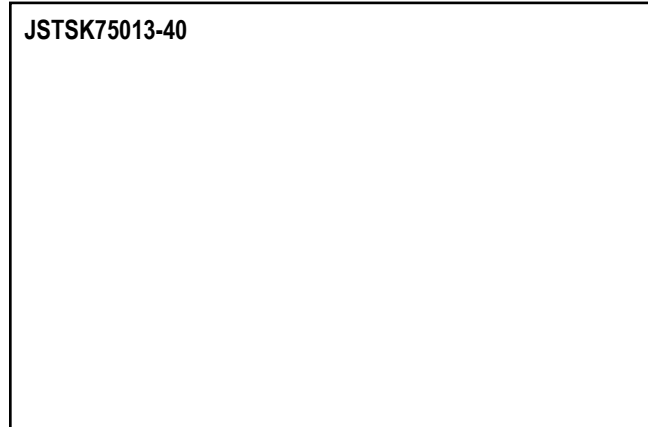




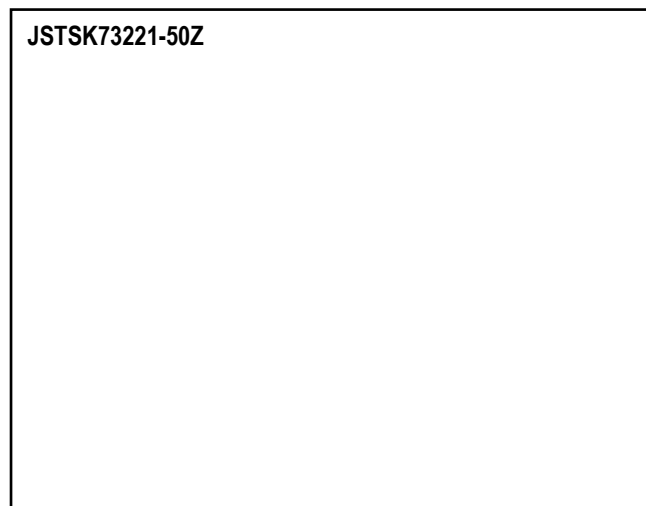
Jost Kits



	Part Number	Description
	JSTSK75014-01	37U Bracket Pin & Collar Kit
A	JSTSK3105-95	Collar
B	JSTSK2905-94	Bushing
C	JSTSK79011-03	Bracket Pin - 50mm
D	JSTSK73014-47	Tab Washer
E	JSTSK70202-15	1/2-13 x 3/4 Ig. Hex Bolt



	Part Number	Description
	JSTSK75013-40	37U Steel Wear Ring & Lock-Jaw Rebuild Kit, LH Only
A	JSTSK73121-55	Ring Bolt
B	JSTSK3105-93	2-Pc Cushion Ring Retainer
C	JSTSK3105-92	2-Pc Cushion Ring Insert
D	JSTSK79002-01	1-Pc Steel Wear Ring
E	JSTSK72106-67	Lock Jaw Pivot Pin
F	JSTSK1489LZ	LH Lock Jaw
G	JSTSK1489Z	RH Lock Jaw
H	JSTSK847	Lock Jaw Spring
I	JSTSK2106-69	Eye Bolt
J	JSTSK2106-70	Ring
K	JSTSK3108-02	Lubricating Kit



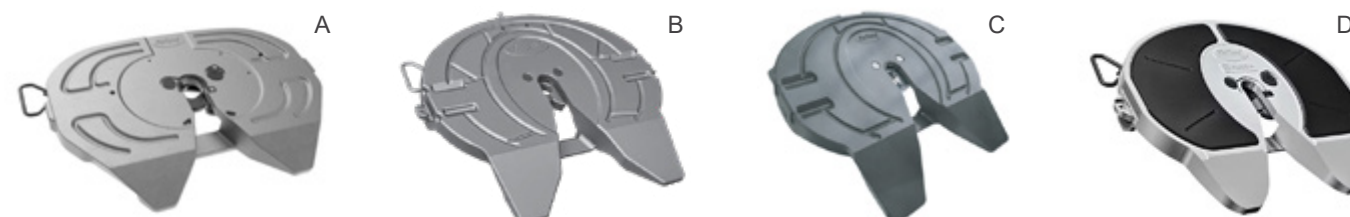
	Part Number	Description
	JSTSK73221-50Z	37U 2-Pc Cushion & Lock Jaw Rebuild Kit, LH Only
A	JSTSK73121-55	Cushion Ring Bolt
B	JSTSK3105-93	Retainer
C	JSTSK3105-92	Cushion Ring Insert
D	JSTSK79002-01	1-Pc Steel Wear Ring
E	JSTSK72106-67	Lock Jaw Pivot Pin
F	JSTSK1489LZ	LH Lock Jaw
G	JSTSK1489Z	RH Lock Jaw
H	JSTSK847	Lock Jaw Spring
I	JSTSK2106-69	Eye Bolt



	Part Number	Description		Part Number	Description
	JSTSK75013-00	37UAL-37USL Cast Topplate	Q	JSTSK71513	Pivot Bolt Assembly
A	JSTSK73121-55	Ring Bolt	R	JSTSK73221-01	Locking Bar Bolt Assembly
B	JSTSK3105-93	2-Pc Cushion Ring Retainer	S	JSTSK3105-140	Lever w/ Bushing
C	JSTSK3105-92	2-Pc Cushion Ring Insert	T	JSTSK79003-00	LH Lever - 7" B-Style Inboard
D	JSTSK79002-01	1-Pc Steel Wear Ring	T1	JSTSK3205-06	Locking Bar
E	JSTSK72106-67	Lock Jaw Pivot Pin	U	JSTSK1489LZ	LH Lock Jaw
F	JSTSK3105-95	Collar	U1	JSTSK1489Z	RH Lock Jaw
G	JSTSK2905-94	Bushing	V	JSTSK847	Lock Jaw Spring
H	JSTSK79011-03	Bracket Pin - 50mm	V1	JSTSK2106-69	Eye Bolt
I	JSTSK73014-47	Tab Washer	W	JSTSK2106-70	Ring
J	JSTSK7020-15	1/2-13 X 3/4 Ig. Hex Bolt	W1	JSTSK73205-07	Guide Piece
K	JSTSK70993-00	Plate Spring	X	JSTSK5007406	Adjusting Screw w/ Hex Nut
L	JSTSK70301-00	External Tooth Lock Washer	X1	JSTSK3105-20	Double Tension Spring
M	JSTSK73121-28B	Hex Bolt	Y	JSTSK3108-02	Lubricating Kit
N	JSTSK73015-15	LH Release Handle	Y1	LT JSK37-03	Rebuild Procedures
O	JSTSK75016-04	Retractable Handle w/ Spring	Z	JSTSK75020-01	Info Pack (LH & RH Release)
P	JSTSK79009-27	RH Release Handle	Z1	JSTSK75020-05	Info Pack (Retractable)

SAF Holland Plates

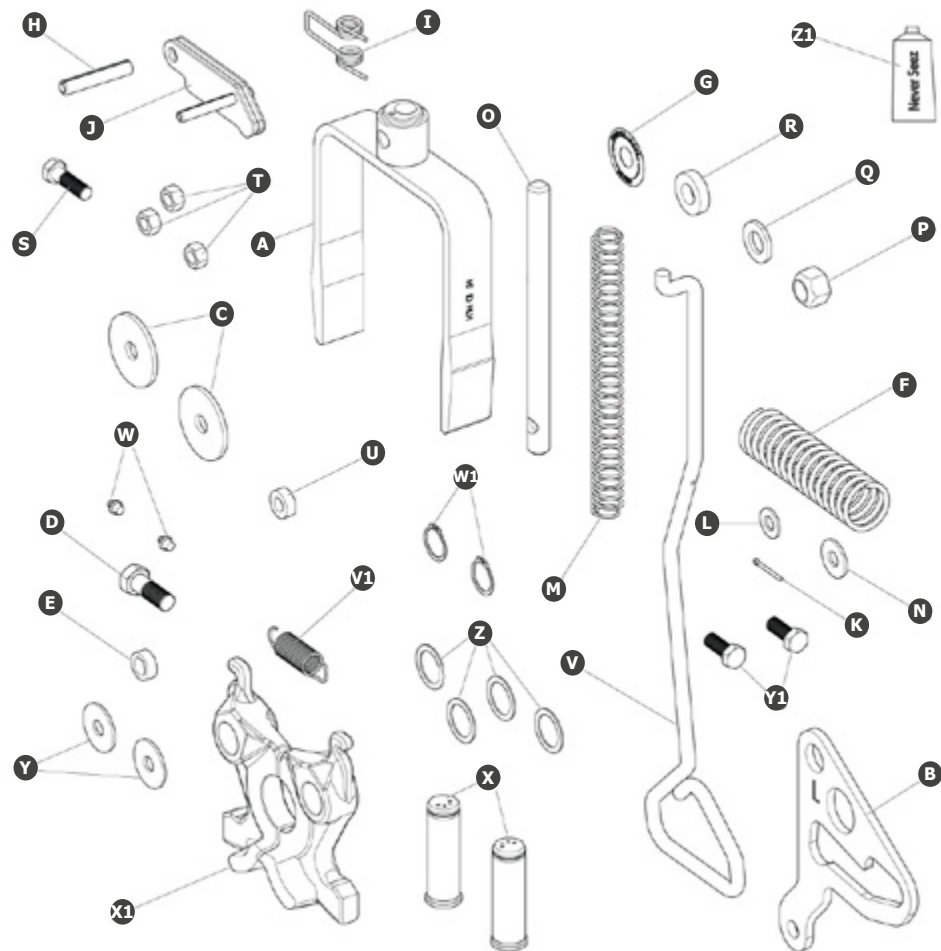
Part Number	Description	Max. Vertical Load	Max. Drawbar Pull	Image
SAFXA-171-A-L-P	FW17 Series Top Plate, Lightweight, 2" Kingpin	50,000 lbs	150,000 lbs	A
SAFXA-351-A-L-P	FW35 Series Top Plate w/ Pins, No Bushings, 2" Kingpin	55,000 lbs	150,000 lbs	B
SAFXA351-TT-1-P	FW35TT Series Yard Spotter Fifth Wheel Top Plate	50,000 lbs	150,000 lbs	C
SAFXA351-TT-2-P	FW35TT Series Terminal Tractor Fifth Wheel Top Plate	50,000 lbs	150,000 lbs	C
SAFXA-AL-A-L-P	Fifth Wheel w/ Low Lube Plates, Aluminum, Lefthand Release	55,000 lbs	150,000 lbs	D



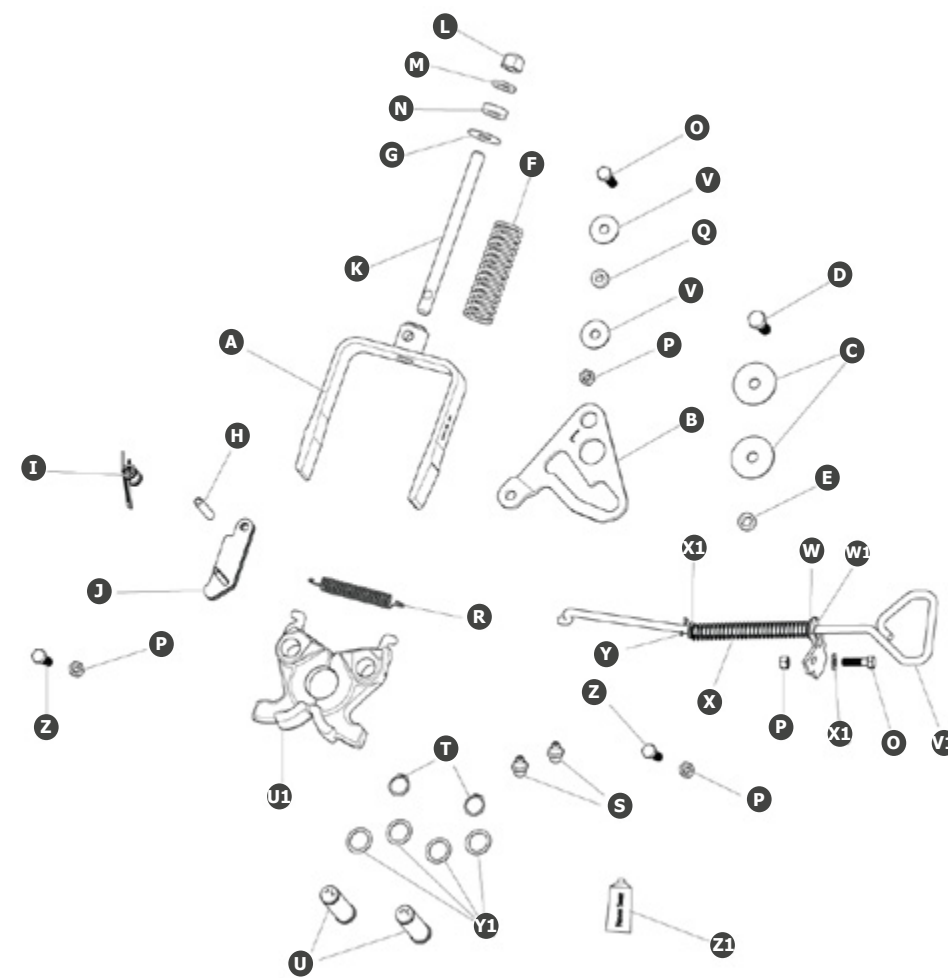


SAF Holland Kits

SAFRK-351-A-L



SAFRK-351-A-28-L

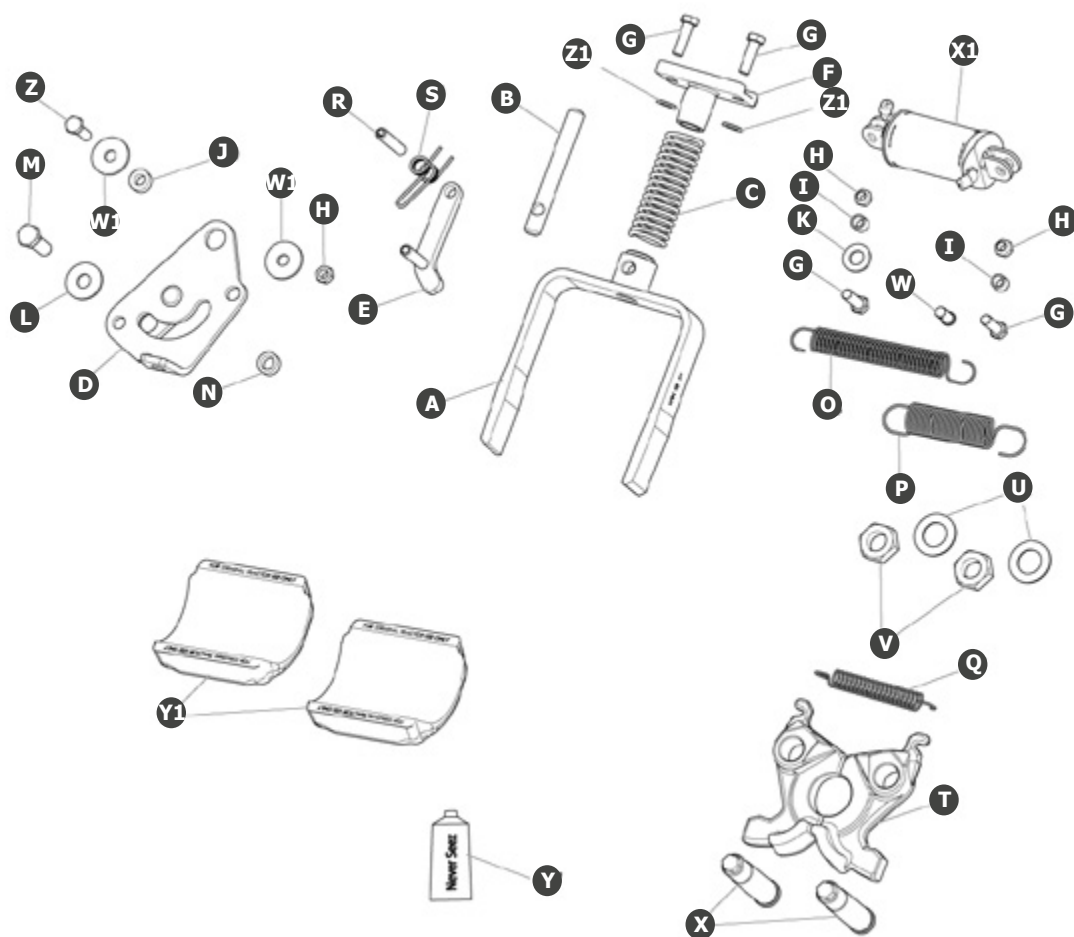


Part Number	Description	Part Number	Description
SAFRK-351-A-L	Rebuild Kit (XA-351-A-L/A-06-L)	P SAFXB-HNH-34-F	Nut, Lock, 3/4"-16
A SAFXA-07295-P	Yoke S/A	Q SAFXB-PW-1316-112	Washer, 3/4"
B SAFXA-07150-L-P	Plate, Cam	R SAFXB-1127	Washer, Rubber
C SAFXB-07431	Washer	S SAFXB-2083	HHCS, 1/2"-20 x 1-3/4"
D SAFXB-CX-58-F-134	HHCS, 5/8"-18 x 1-3/4"	T SAFXB-T-69-A	Nut, Lock, 1/2"-20 (Grade C)
E SAFXA-1507-1-P	Roller, Cam	U SAFXA-1029-P	Roller Cam
F SAFXB-1505-P	Spring	V SAFXA-07151-1-P	Handle, Release
G SAFXB-02312	Tag, Lock Adj.	V1 SAFXB-07628-P	Spring, Extension
H SAFXB-21-S-500-2750P	Pin, Spring 1/2" x 2-3/4"	W SAFXB-H-38	Fitting, Lube
I SAFXB-2149-P	Spring, Torsion	W1 SAFXB-07398	Ring, Retaining
J SAFXA-11992-L-P	Lock S/A, Secondary	X SAFXA-07292-1-P	Pin, Lock
K SAFXB-07508	Cotter, 1/8" x 1-1/4"	X1 SAFXA-07296-P	Lock Set
L SAFXB-PW-1732-1-116	Washer, 1/2" I.D. x 1" O.D., SAE	Y SAFXB-08559	Washer, 1/2" I.D. x 1-3/4" O.D.
M SAFXB-07291-P	Spring	Y1 SAFXB-C-95	HHCS, 1/2"-20 x 1-1/4"
N SAFXB-T-49	Washer, 1/2"-USMCA Non-Eligible	Z SAFXB-05859-1	Washer
O SAFXA-1706-ST	Shaft, Yoke	Z1 SAFXB-02967	Never-Seez

Part Number	Description	Part Number	Description
SAFRK-351-A-28-L	Rebuild Kit (XA-351-A-28-L)	P SAFXB-T-69-A	Nut, Lock, 1/2"-20 (Grade C)
A SAFXA-07295-P	Yoke S/A	Q SAFXA-1029-P	Roller Cam
B SAFXA-07150-L-P	Plate, Cam	R SAFXB-07628-P	Spring, Extension
C SAFXB-07431	Washer	S SAFXB-H-38	Fitting, Lube
D SAFXB-CX-58-F-134	HHCS, 5/8"-18 x 1-3/4"	T SAFXB-07398	Ring, Retaining
E SAFXA-1507-1-P	Roller, Cam	U SAFXA-07292-1-P	Pin, Lock
F SAFXB-1505-P	Spring	U1 SAFXA-07296-P	Lock Set
G SAFXB-02312	Tag, Lock Adj.	V SAFXB-08559	Washer, 1/2" I.D. x 1-3/4" O.D.
H SAFXB-21-S-500-2750P	Pin, Spring 1/2" x 2-3/4"	V1 SAFXA-09962	Handle, Release (1/2" Dia.)
I SAFXB-2149-P	Spring, Torsion	W SAFXB-T-49	Washer, 1/2"-USMCA Non-Eligible
J SAFXA-11992-L-P	Lock S/A, Secondary	W1 SAFXA-09963	Plate, Release Handle
K SAFXA-1706-ST	Shaft, Yoke	X SAFXB-07291-P	Spring
L SAFXB-HNH-34-F	Nut, Lock, 3/4"-16	X1 SAFXB-PW-1732-1-116	Washer, 1/2" I.D. x 1" O.D., SAE
M SAFXB-PW-1316-112	Washer, 3/4"	Y SAFXB-07508	Cotter, 1/8" x 1-1/4"
N SAFXB-1127	Washer, Rubber	Y1 SAFXB-05859-1	Washer
O SAFXB-2083	HHCS, 1/2"-20 x 1-3/4"	Z SAFXB-C-95	HHCS, 1/2"-20 x 1-1/4"
		Z1 SAFXB-02967	Never-Seez



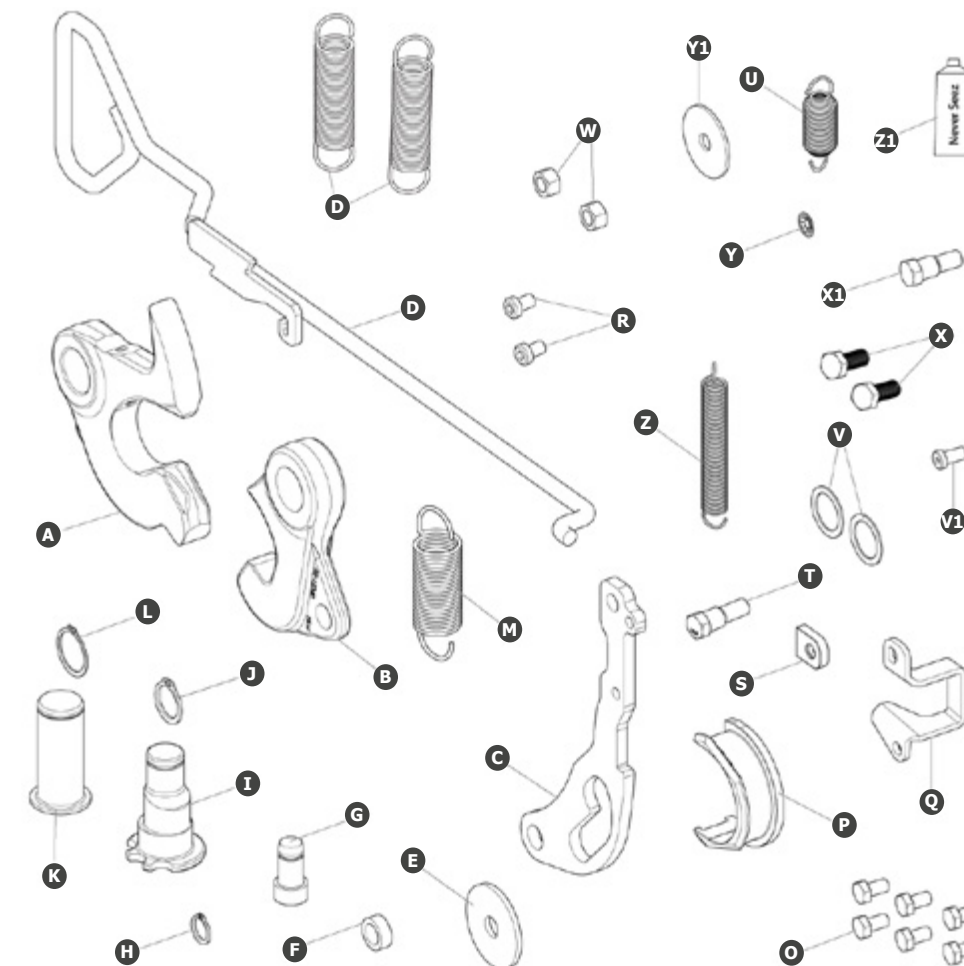
SAFRK-351-TT



Part Number	Description	Part Number	Description
SAFRK-351-TT	Rebuild Kit (XA-351-TT -1/-2)	P	SAFXB-10088-P Spring, Extension
A	SAFXA-12044-P Yoke S/A	Q	SAFXB-07628-P Spring, Extension
B	SAFXA-12038-ST Shaft, Yoke	R	SAFXB-21-S-500-2750P Pin, Spring 1/2" x 2-3/4"
C	SAFXB-1505-P Spring	S	SAFXB-2149-P Spring, Torsion
D	SAFXA-12036-A Cam S/A	T	SAFXA-08331-1-P Lock Set
E	SAFXA-3542-T-P Lock S/A, Secondary	U	SAFXB-10249 Washer, 1-1/8" Type B Narrow
F	SAFXD-12028-P Block, Spring	V	SAFXB-12027 Nut, Jam Lock, M27 x 3, Class 10
G	SAFXB-HCS-M12-40-Z HHCS, M12 x 1.75 x 40 10.9 Zinc	W	SAFXA-12039-P Pin, Clevis
H	SAFXB-HLN-M12-Z Nut, Lock M12	W1	SAFXB-76004 Washer, Plain Round 12mm
I	SAFXA-10810-P Bushing, Release Cam	X	SAFXA-12046-P Pin, Lock
J	SAFXA-1029-P Roller Cam	X1	SAFXA-12057 Cylinder S/A, Air
K	SAFXB-06180 Washer, 5/8" HDN.	Y	SAFXB-02967 Never-Seez
L	SAFXB-460 Washer, 5/8"	Y1	SAFXD-12026-P Insert, Pocket
M	SAFXB-12049 HHCS, M16 x 2 x 50	Z	SAFXB-HCS-M12-55-ZP HHCS, M12 x 1.75 x 55, Class 10.9
N	SAFXA-1507-1-P Roller, Cam	Z1	SAFXB-PW-M12-C Washer, M12, Hardened
O	SAFXB-10087-P Spring, Extension		



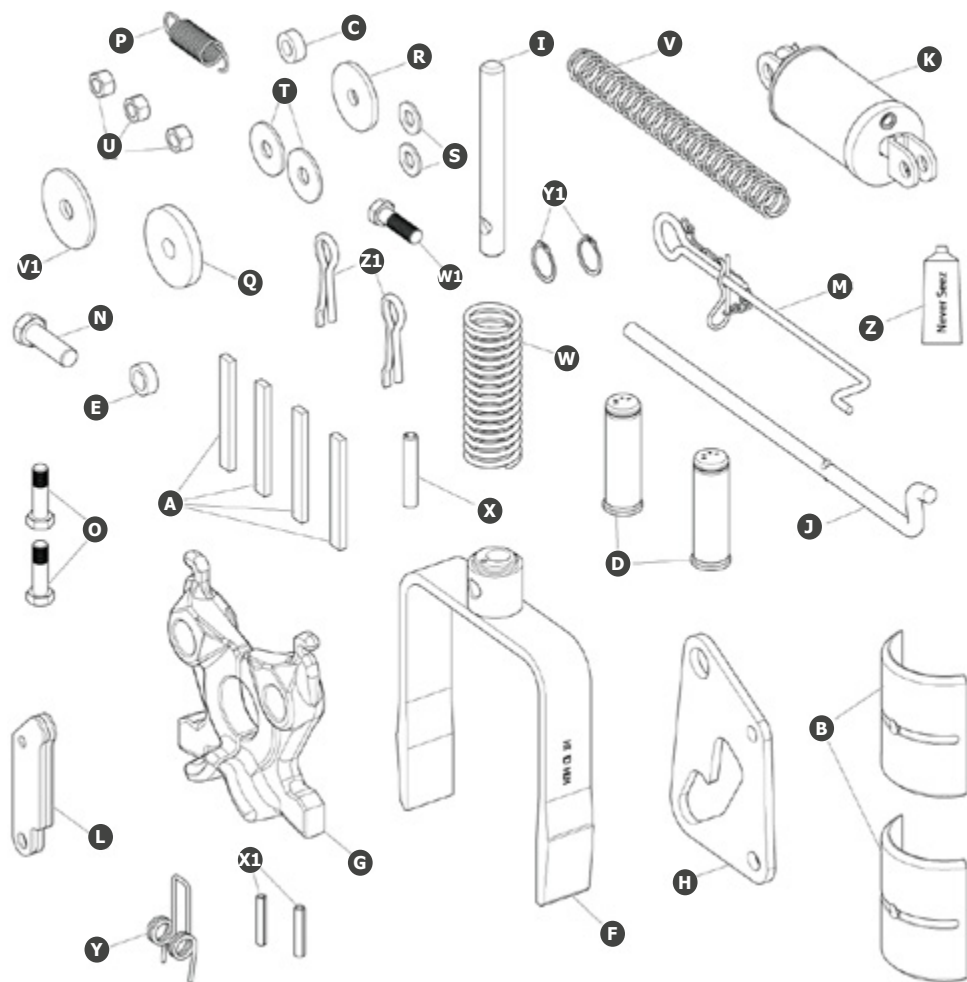
SAFRK-17-A-L-H



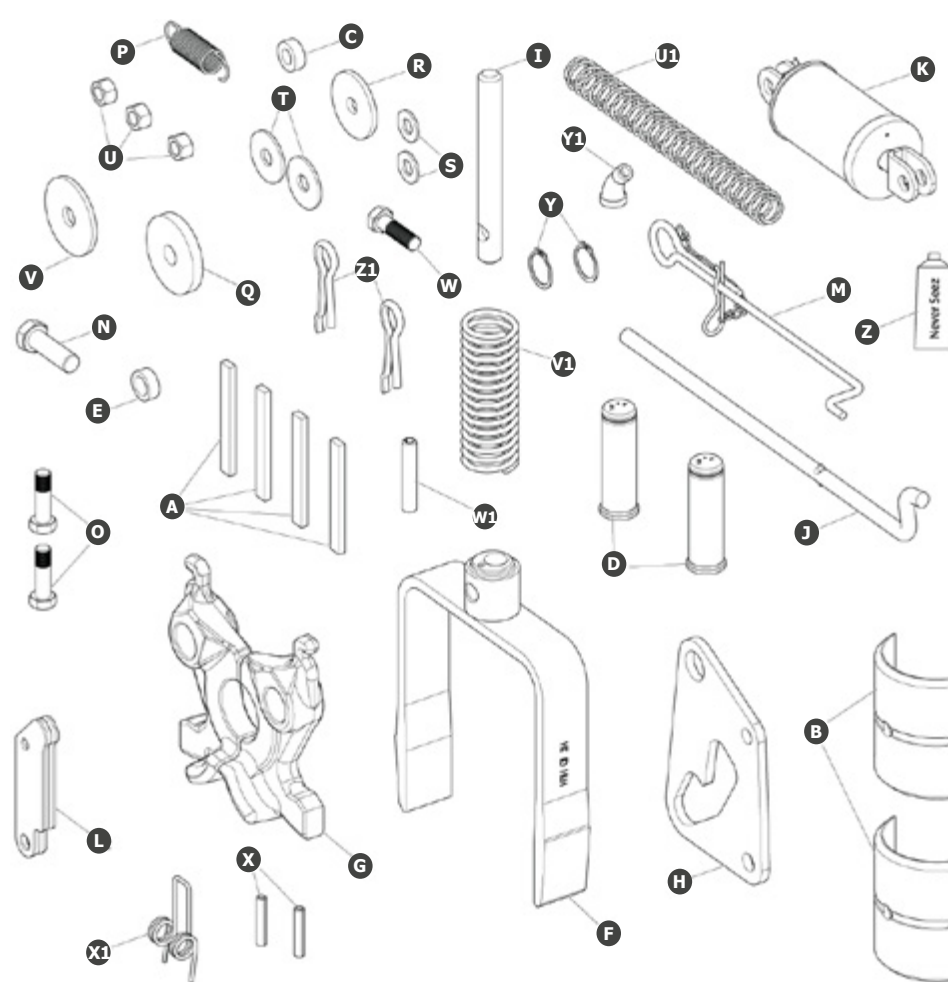
Part Number	Description	Part Number	Description
SAFRK-17-A-L-H	Rebuild Kit (XA-171-A)	P	SAFXD-12335-P Insert, Front Lock
A	SAFXA-10486-LL-P Lock	Q	SAFXA-12313-P Bracket, Handle Window
B	SAFXA-10487-P Hook	R	SAFXB-02747-M LHSCS, M10 x 1.5 x 16mm
C	SAFXA-12284-P Cam Release	S	SAFXG-10706-P Keeper, Insert
D	SAFXA-12286-P Handle S/A, Release	T	SAFXB-12288 HHSB, M12 x 1.75
E	SAFXB-07431 Washer	U	SAFXB-12289 Spring, Cam Extension
F	SAFXA-1507-1-P Roller, Cam	V	SAFXB-05859-1 Washer
G	SAFXA-10485-1 Pin, Hook	W	SAFXB-02724-1 LHSCS, 3/8"-16 x 3/4" LG
H	SAFXB-05855-1 Ring, Retaining, 3/4"	W1	SAFXB-T-69-A Nut, Lock, 1/2"-20 (Grade C)
I	SAFXA-10364-3-AL-P Pin, Adjusting	X	SAFXB-C-95 HHCS, 1/2"-20 x 1-1/4"
J	SAFXB-05855 Ring, Retaining, 1-1/8"	X1	SAFXB-11873 HHSB, 1/2"-20 Threads
K	SAFXA-06344-AL Pin, Lock	Y	SAFXB-10614 Retainer, Push, 3/8" Diameter
L	SAFXB-08905 Ring, Retaining, 1-3/8"	Y1	SAFXB-10294 Washer, 1/2" Stainless Steel
M	SAFXB-10490 Spring, Extension	Z	SAFXB-10563 Spring, Extension
N	SAFXB-10489 Spring, Extension	Z1	SAFXB-02967 Never-Seez
O	SAFXB-HCS-M10-18-Z HHCS, M10 x 1.5 x 18mm		



SAFRK351-03505-3



SAFRK351-03505



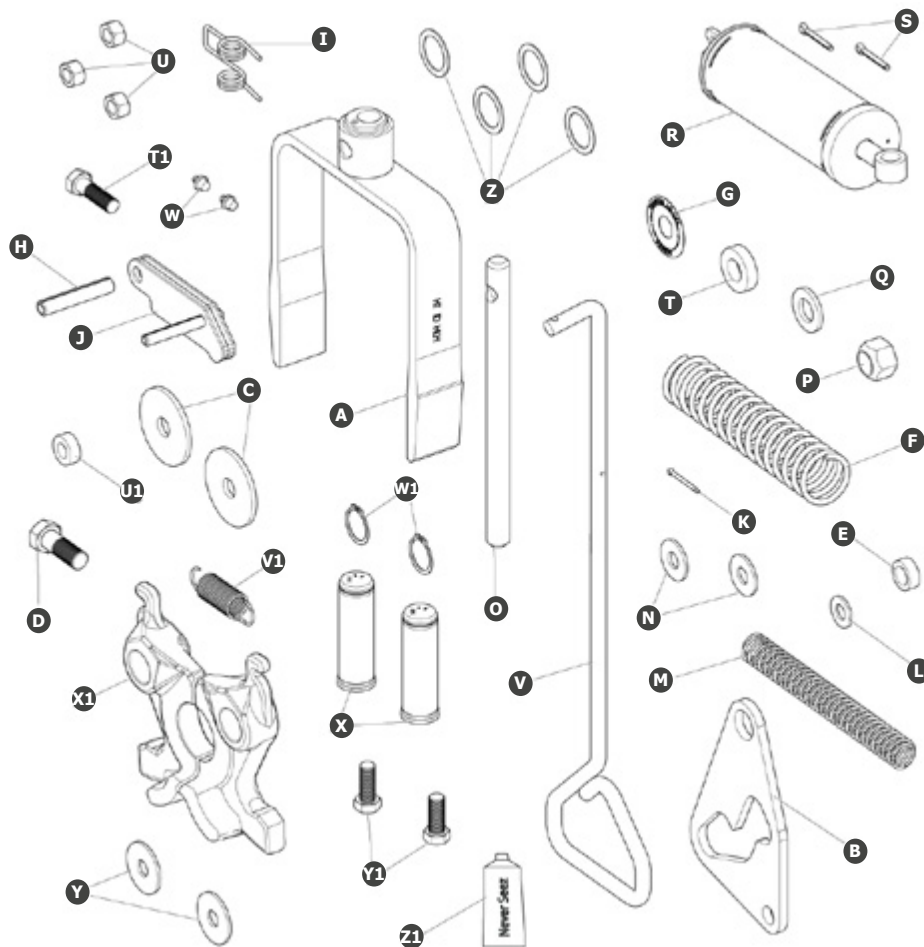
Part Number	Description	Part Number	Description
SAFRK351-03505-3	Rebuild Kit (XA-351-03505-3)	P	SAFXB-07628-P Spring, Extension
A	SAFXA-0268 Block, Bearing Stop	Q	SAFXA-09040-ST Spacer, Cam
B	SAFXA-03423 Bearing, Bracket	R	SAFXB-1030 Washer, Special
C	SAFXA-1029-P Roller Cam	S	SAFXB-PW-1731-1-116 Washer, 1/2" I.D. x 1: O.D., SAE
D	SAFXA-07292-1-P Pin, Lock	T	SAFXB-08559 Washer, 1/2" I.D. x 1-3/4" O.D.
E	SAFXA-1507-1-P Roller, Cam	U	SAFXB-T-69-A Nut, Lock, 1/2"-20 (Grade C)
F	SAFXA-07295-P Yoke S/A	V	SAFXB-07291-P Spring
G	SAFXA-08332-1-P Lock Set	V1	SAFXB-07431 Washer
H	SAFXA-08988-P Plate, Cam	W	SAFXB-1505-P Spring
I	SAFXA-1706-1-ST Shaft, Yoke	W1	SAFXB-2083 HHCS, 1/2"-20 x 1-3/4"
J	SAFXA-09041-P Handle, Release	X	SAFXB-21-S-500-2750P Pin, Spring 1/2" x 2-3/4"
K	SAFXA-2524-R-13-4 Cylinder S/A, Air	X1	SAFXB-21-S-375-1750ST Pin, Spring 3/8" x 1-3/4"
L	SAFXA-11992-P Bar, Lock	Y	SAFXB-2149-P Spring, Torsion
M	SAFXA-3546 Handle S/A, SEC Lock (1/4" Dia.)	Y1	SAFXB-07398 Ring, Retaining
N	SAFXB-10035 HHCS, 5/8"-18 x 2"	Z	SAFXB-02967 Never-Seez
O	SAFXB-T-89-5 HHCS, 1/2"-20 x 1-3/4"	Z1	SAFXB-12043 Clinch Pin, 3/8" x 1-1/4"

Part Number	Description	Part Number	Description
SAFRK351-03505	Rebuild Kit (XA-351-03505/-2)	P	SAFXB-07628-P Spring, Extension
A	SAFXA-0268 Block, Bearing Stop	Q	SAFXA-09040-ST Spacer, Cam
B	SAFXA-03423 Bearing, Bracket	R	SAFXB-1030 Washer, Special
C	SAFXA-1029-P Roller Cam	S	SAFXB-PW-1732-1-116 Washer, 1/2" I.D. x 1" O.D., SAE
D	SAFXA-07292-1-P Pin, Lock	T	SAFXB-08599 Washer, 1/2" I.D. x 1-3/4" O.D.
E	SAFXA-1507-1-P Roller, Cam	U	SAFXB-T-69-A Nut, Lock, 1/2"-20 (Grade C)
F	SAFXA-07295-P Yoke S/A	U1	SAFXB-07291-P Spring
G	SAFXA-08988-P Lock Set	V	SAFXB-07431 Washer
H	SAFXA-08988-P Plate, Cam	V1	SAFXB-1505-P Spring
I	SAFXA-1706-1-ST Shaft, Yoke	W	SAFXB-2083 HHCS, 1/2"-20 X 1-3/4"
J	SAFXA-09041-P Handle, Release	W1	SAFXB-21-S-500-2750P Pin, Spring 1/2" x 2-3/4"
K	SAFXA-2524-R-13-1 Cylinder S/A, Air	X	SAFXB-21-S-375-1750ST Pin, Spring 3/8" x 1-3/4"
L	SAFXA-11992-P Bar, Lock	X1	SAFXB-2149-P Spring, Torsion
M	SAFXA-3546 Handle S/A, Sec Lock (1/4" Dia.)	Y	SAFXB-07398 Ring, Retaining
N	SAFXB-10035 HHCS, 5/8"-18 x 2"	Y1	SAFXB-698 Elbow, 45 Degree Street
O	SAFXB-T-89-5 HHCS, 1/2"-20 x 1-3/4"	Z	SAFXB-02967 Never-Seez
		Z1	SAFXB-12043 Clinch Pin, 3/8" x 1-1/4"

ROAD EQUIPMENT PARTS CENTER



SAFRK-351-A-80L

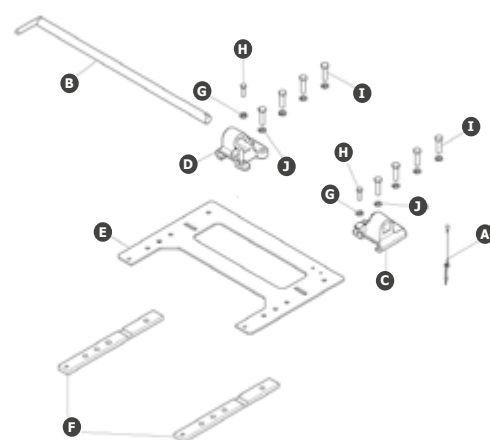


Part Number	Description	Part Number	Description
SAFRK-351-A-80L	Rebuild Kit (XA-351-A-L/A-06-L)	P SAFXB-PW-1316-112	Washer, 3/4"
A SAFXA-07295-P	Yoke S/A	Q SAFXA-11713	Cylinder S/A, Air
B SAFXA-1705-P	Plate, Cam	R SAFXB-06336	Pin, Cotter 3/16" x 1-1/4"
C SAFXB-CX-58-F-134	HHCS, 5/8"-18 x 1-3/4"	S SAFXB-1127	Washer, Rubber
D SAFXA-1507-1-P	Roller, Cam	T SAFXB-2083	HHCS, 1/2"-20 x 1-3/4"
E SAFXB-1505-P	Spring	U SAFXB-T-69-A	Nut, Lock, 1/2"-20 (Grade C)
F SAFXB-02312	Tag, Lock Adj.	U1 SAFXA-1029-P	Roller Cam
G SAFXB-21-S-500-2750P	Pin, Spring 1/2" x 2-3/4"	V SAFXA-07766-1-P	Handle, Release
H SAFXB-2149-P	Spring, Torsion	V1 SAFXB-07628-P	Spring, Extension
I SAFXA-11992-L-P	Lock S/A, Secondary	W SAFXB-H-38	Fitting, Lube
J SAFXB-07508	Cotter, 1/8" x 1-1/4"	W1 SAFXB-07398	Ring, Retaining
K SAFXB-PW-1732-1-116	Washer, 1/2" I.D. x 1" O.D., SAE	X SAFXA-07292-1-P	Pin, Lock
L SAFXB-07974-P	Spring	X1 SAFXA-07296-P	Lock Set
M SAFXB-T-49	Washer, 1/2"-USMCA Non-Eligible	Y SAFXB-08559	Washer, 1/2" I.D. x 1-3/4" O.D.
N SAFXA-1706-ST	Shaft, Yoke	Y1 SAFXB-C-95	HHCS, 1/2"-30 x 1-1/4"
O SAFXB-HNH-34-F	Nut, Lock, 3/4"-16	Z SAFXB-05859-1	Washer
		Z1 SAFXB-02967	Never-Seez

ROAD EQUIPMENT PARTS CENTER

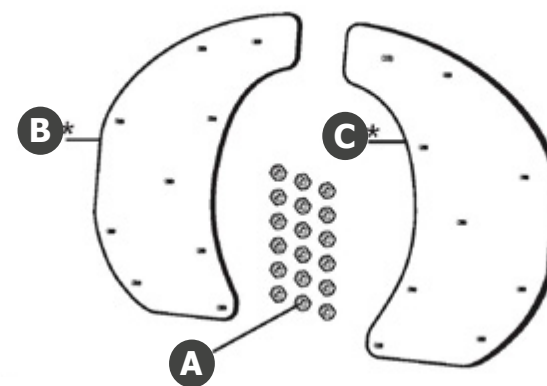


SAFRK-NT-ILS-S



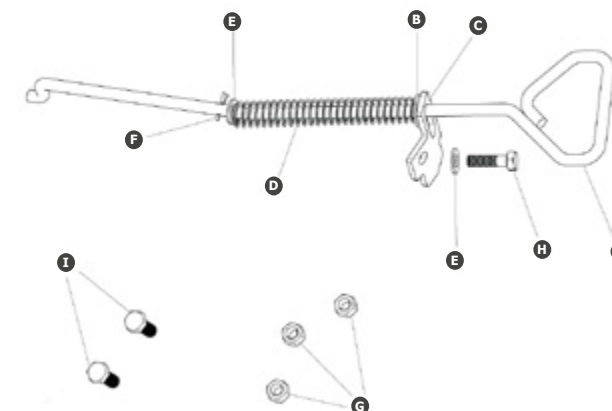
Part Number	Description
SAFRK-NT-ILS-S	No-Tilt ILS Retrofit, Slider
A SAFXB-11157-1	Wire Lock Pin 1/4" & Lanyard
B SAFXA-1934-1	Shaft S/A, Handle
C SAFXA-11627-R	No Tilt Bracket, RH-9"
D SAFXA-11627-L	No Tilt Bracket, LH-9"
E SAFXA-11628-P	Plate, No Tilt Sliding, Painted
F SAFXA-11479	Block Stop
G SAFXB-LW-M12-Z	Washer, Spring Lock M12
H SAFXB-HCS-M12-40-Z	HHCS M12x1.75x40 10.9 Zinc Plate
I SAFXB-HCS-M16-60-Z	HHCS M16x2x60MM Zinc w/ Patch
J SAFXB-LW-M16-Z	Washer, Lock M16

SAFRK-331-1



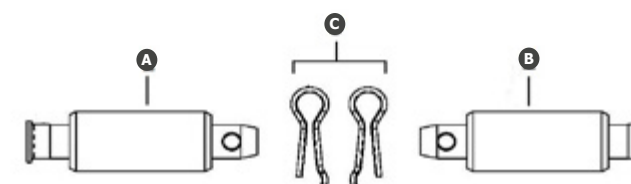
Part Number	Description
SAFRK-331-1	Kit, Low Lube Plates
A SAFXB-08931	Nut, Lock 5/16"-18
B SAFXA-08125-L	Plate S/A, Lube
C SAFXA-08125-R	Plate S/A, Lube

SAFRK-351-09967



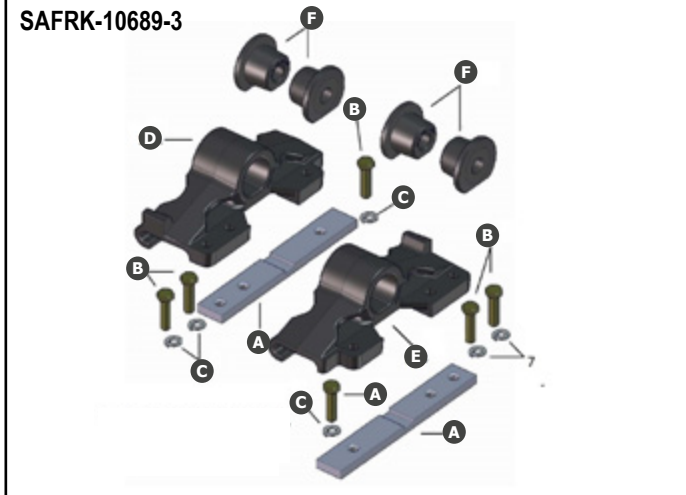
Part Number	Description
SAFRK-351-09967	Handle Kit, Lefthand Dolly
A SAFXA-09962	Release Handle (1/2" Dia.)
B SAFXB-T-49	Washer, 1/2" USMCA Non-Eligible
C SAFXA-09963	Plate, Release Handle
D SAFXB-07291-P	Spring
E SAFXB-PW-1732-1-116	Washer, 1.2" I.D. x 1" O.D.
F SAFXB-07508	Cotter, 1/8" x 1-1/4"
G SAFXB-T-69-A	Nut, Lock, 1/2"-20 (Grade C)
H SAFXB-2083	HHCS, 1/2"-20 x 1-3/4"
I SAFXB-C-95	HHCS, 1/2"-20 x 1-1.4

SAFRK-12058

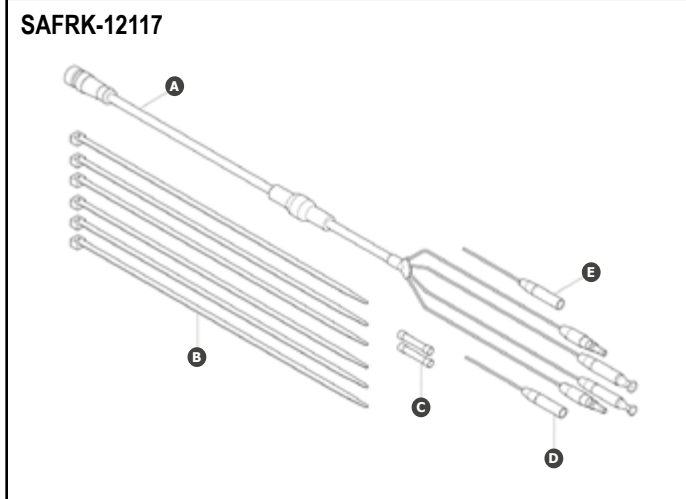


Part Number	Description
SAFRK-12058	Cushions and Pins Kit
A SAFXA-12037-P	Pin, Bracket
B SAFXB-0011	Cushion, Rubber
C SAFXB-12043	Clinch Pin, 3/8" x 1-1/4"

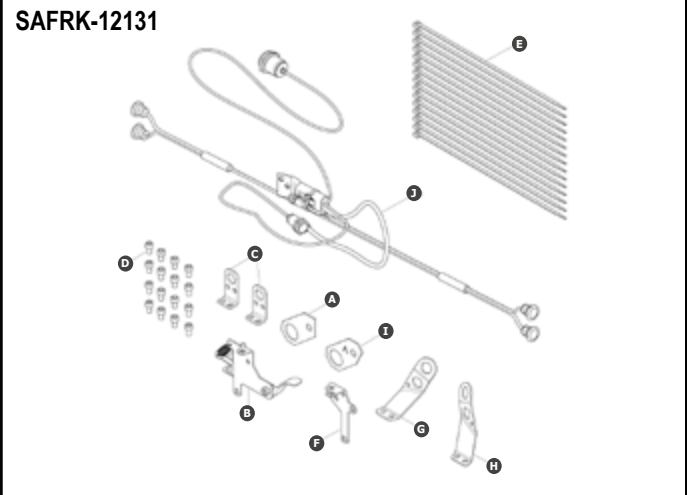
ROAD EQUIPMENT PARTS CENTER



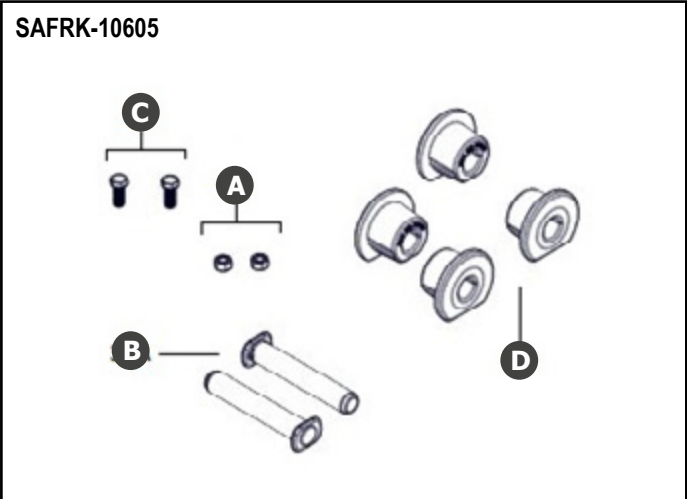
Part Number	Description
SAFRK-10689-3	Kit, ILS Bracket Replacement
A SAFXA-10711-1	Blockstop
B SAFXB-HCS-M16-60-Z	HHCS, 2.3"x0.6", Zinc w/ Patch
C SAFXB-LW-M16-Z	Washer Lock
D SAFXB-10605	Cushion
E SAFXD-10689-3R	Sliding Bracket
F SAFXD-10689-3L	Sliding Bracket



Part Number	Description
SAFRK-12117	Cable Kit, Elite Dolly Mounted
A SAFEE-12015-1L	Adapter, Coupling Monitor
B SAFXB-11970	Tie Cable
C SAFEE-12143	Crimp Slice 18-22 AWG
D SAFEE-12144-03	Harness Adapter Lead, Blue
E SAFEE-1214400	Harness Adapter Lead, White



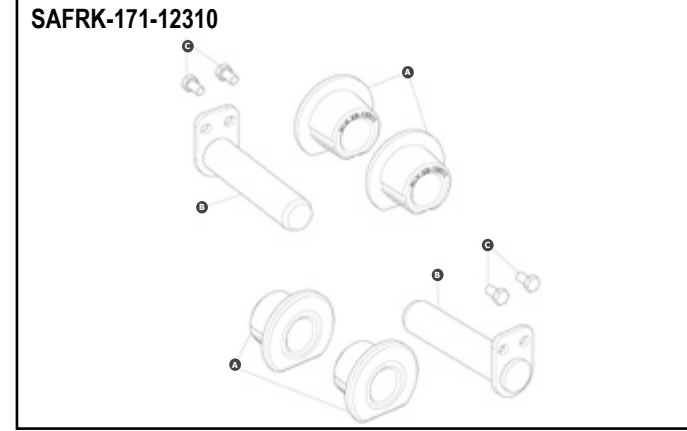
Part Number	Description
SAFRK-12131	Rebuild Kit, Elite Complete
A SAFXA-11968-P	Bracket, Cam Sensor
B SAFXA-11984	Sensor Flag Assembly, Kingpin
C SAFXA-11964-P	Bracket, Indicator Light
D SAFXB-TLN-2506	SCHS, 5/16"-18 x 1/2" LG
E SAFXB-11970	Tie Cable
F SAFXA-11967-L-P	Bracket, Wire Mount
G SAFXA-11966-L-P	Bracket, Inspection Light, Left
H SAFXA-11966-R-P	Bracket, Inspection Light, Right
I SAFXA-11968-AIR-P	Bracket, Cam Sensor, Air Release
J SAFEE-11971	Coupling Monitor Assembly



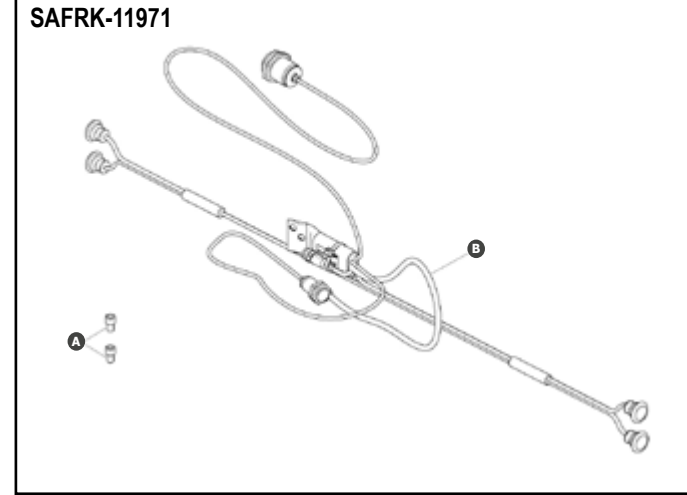
Part Number	Description
SAFRK-10605	Kit, ILS Bracket Pins&Cushions
A SAFXB-T-69-A	Nut, Lock 1/2"-20 (Grade C)
B SAFXB-C-95	HHCS, 1/2"-20 x 1-1/4"
C SAFXB-10605	Cushion
D SAFXE-06356-P	Bracket Pin, Painted



ROAD EQUIPMENT PARTS CENTER



Part Number	Description
SAFRK-171-12310	Cushions and Pins Kit
A SAFXB-12311	Cushion
B SAFXA-12293-P	Pin S/A, Bracket
C SAFXB-HCS-M10-18-Z	HHCS, M10 x 1.5 x 18mm

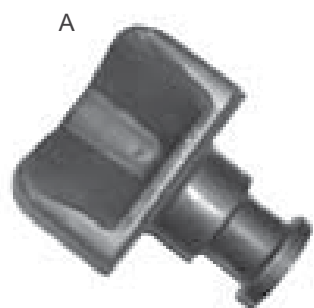


Part Number	Description
SAFRK-11971	Kit, Low Lube Plates
A SAFXB-TLN-2506	SCHS, 5/16"-18 x 1/2" LG
B SAFEE-11971	Coupling Monitor Assembly



Cruciform King Pins

Part Number	Description	Height	Bolster Plate Size	Image
1135923	Kingpin Cruciform Type	2-3/7"	1/4"	A
1135924	Kingpin Cruciform Type	3-5/8"	1/4"	B
1190374-100	Kingpin Lock	--	--	C



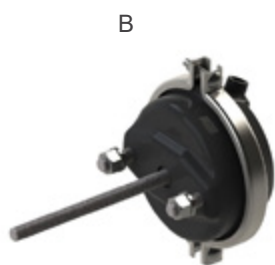
Mushroom King Pins

Part Number	Description	Diameter	Bolster Plate Size
1135920	Kingpin Mushroom Type	2"	1/4"
1135921	Kingpin Mushroom Type	2"	3/8"
1135922	Kingpin Mushroom Type	2"	1/2"



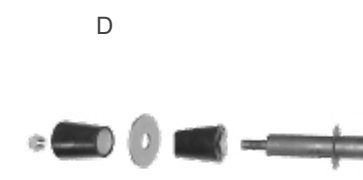
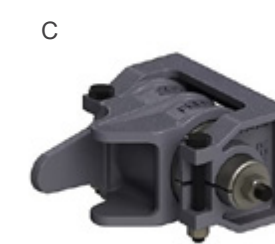
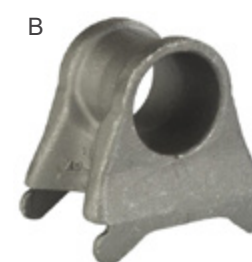
Pintle Hooks

Part Number	Description	Image
PRE10004696	Extended Life Reducing Coupling, 60,000 lbs Latch Capacity	A
PRE10000116	Air Chamber, Type 24	B
PRE10000262	Extended Life Low Profile Parts Kit, 15 Pieces	C
SAFRK-T-551	Swivel Mount Pin and Clevis Coupler Repair Kit	D



Drawbars

Part Number	Description	Bracket Size	Max Gross Trailer Weight (Pair)	Image
SAFXD-5315	SAF Holland XD-5315 Drawbar Hinge Bracket	3" Sq. Tubing or 3"x4" Rectangular Tubing	100,000 lbs	A
SAFXD-5275	SAF Holland XD-5275 Drawbar Hinge Weld-On Frame Bracket	4" Sq. Tubing or Standard Channel	100,000 lbs	B
PRE10000941	Premier 320 Hinge Assembly, Pair Hinges, Rubber Bushings	3" Sq. Tubing or Standard Channel	100,000 lbs	C
PRE10000944	Premier 320A Hinge Assembly, Pair Hinges, Poly Bushings	3" Sq. Tubing or Standard Channel	100,000 lbs	C
NL3001	Bushing Assembly Kit	--	--	D



Turntables

Part Number	Description	Diameter
JSTDK90-12	BPW Turntable	39.5"
JSTDK90-16.36.01	BPW Turntable, Fruehauf Replacement	43.5"
JSTDK90.16.39.00	BPW Turntable	43.5"
JSTDK90-163900D	BPW Turntable, East OE Drill Pattern	43.62"

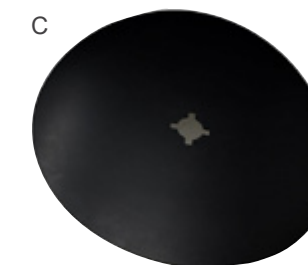
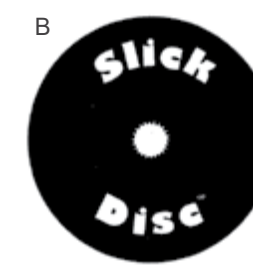
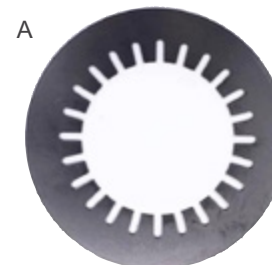


JSTDK90-12

Slick Discs

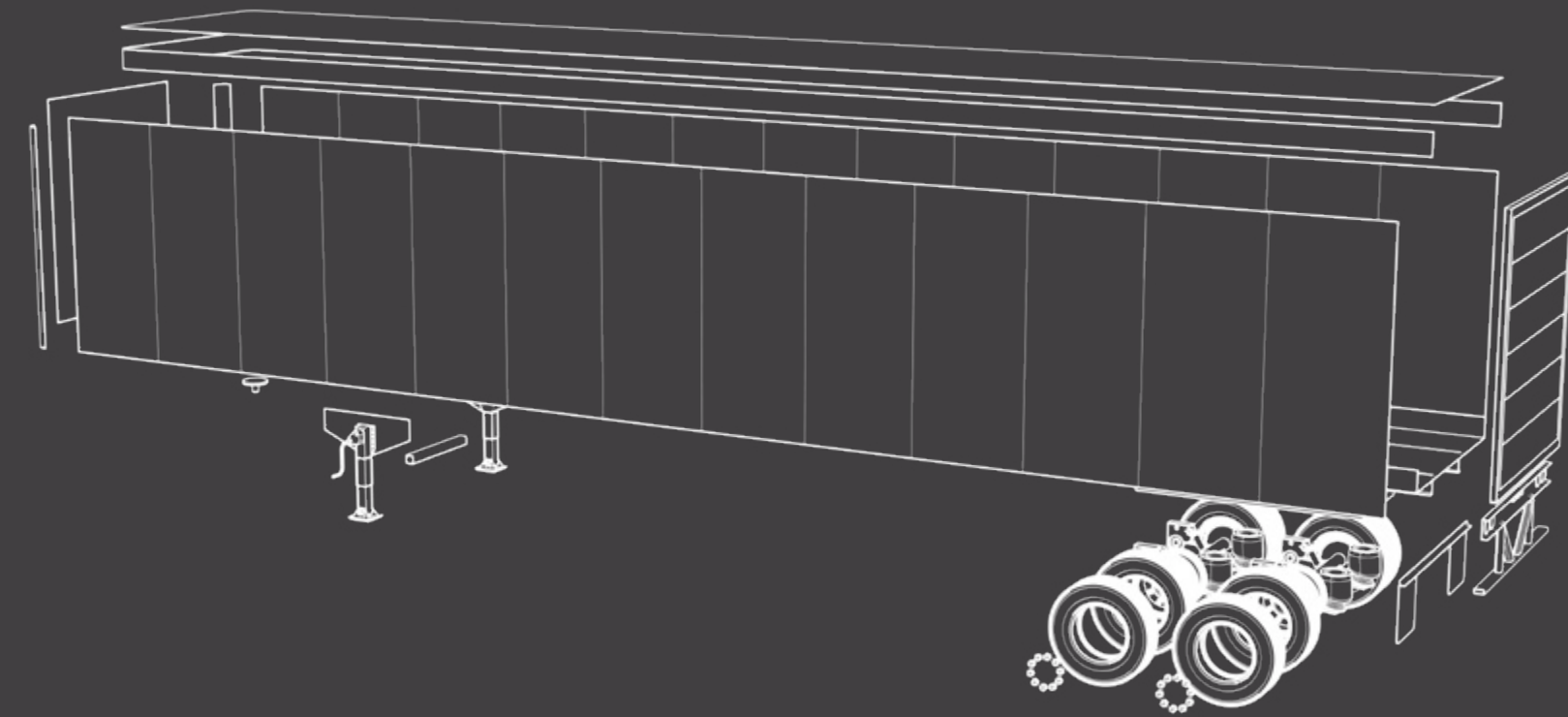
Part Number	Description	Diameter	Weight	Image
1010500	Fifth Wheel Retainer Ring Only	32"	2.5 lbs	A
1010501	Fifth Wheel Slick Disc w/ Disc & Ring, Universal Fit	32"	5 lbs	B
1010503	Fifth Wheel Slick Disc, No Ring Needed	32"	5 lbs	C

*** Slick Disc 1010501 is intended for use on trailers with a standard 2.875" diameter king pin, which is not worn or undersized.





ROAD EQUIPMENT PARTS CENTER



Electrical



7-Way & 6-Way Cable

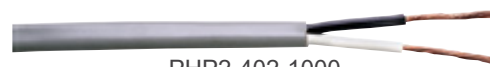
Part No.	Description	Wires	Color	Wire Size & Number of Conductors				Length
				#14	# 12	# 10	# 8	
PHP3-327	7-Way ABS Cable	7	Green	--	4	2	1	100'
PHP3-329	7-Way ABS Cable	7	Green	--	4	2	1	100'
1011410	7-Way Cable	7	Black	--	6	1	--	100'
1010126	7-Way Cable	7	Black	6	1	--	--	100'
1010126-500	7-Way Cable	7	Black	6	1	--	--	500'
1094755	6-Way Cable	6	Black	6	--	--	--	100'



PHP3-327

2 & 4 Conductor Cable

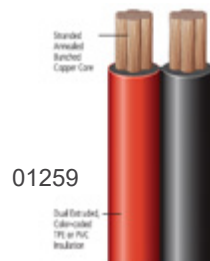
Part No.	Description	Wires	Color	Wires	Length
1012403	2 Wire - Jacketed	2	Gray	(2) 12ga	100'
PHP2-402	2 Wire - Jacketed	2	Gray	(2) 14ga	100'
PHP2-402-1000	2 Wire Parallel - Jacketed	2	Gray	(2) 14 ga	1000'
BET920190	3 Wire - Jacketed	3	--	(3) 14 ga	100'
BET920191	3 Wire - Jacketed	3	--	(3) 14 ga	300'
1011861	4 Wire - Jacketed	4	Black	(4) 14 ga	100'
1011861-500	4 Wire - Jacketed	4	Black	(4) 14 ga	500'



PHP2-402-1000

Tarp Cable

Part No.	Description	Wires	Color	Wires	Length
01268	Tarp Cable	2	Black/Orange	(2) 6 ga	100'
01259	Tarp Cable	2	Black/White	(2) 4 ga	100'
01256	Tarp Cable	2	Black/Red	(2) 2 ga	100'



01259

Primary Wire

Part No.	Description	Color	Size	Length
GRT87-7000	Primary Wire	Red	14 ga	100'
GRT87-7002	Primary Wire	Black	14 ga	100'
GRT87-7010	Primary Wire	Blue	14 ga	100'
1031531	Primary Wire	White	14 ga	100'
1031533	Primary Wire	Yellow	14 ga	100'
1031535	Primary Wire	Green	14 ga	100'
1031536	Primary Wire	Brown	14 ga	100'
1031538	Primary Wire	Black	12 ga	100'
1031542	Primary Wire	Red	12 ga	100'
1031543	Primary Wire	White	12 ga	100'
1031540	Primary Wire	Brown	12 ga	100'

Additional Colors and Wire Sizes Available!



GRT87-7002

7-Way Cable Assy

Part No.	Description	Type	Color	Plug	Leads	Length
PHP30-4921	7-Way ABS Cable Assy	Coiled	Green	Zinc	12"/48"	15'
PHP30-2051	7-Way ABS Cable Assy	Straight	Green	Zinc	--	12'
PHP30-2071	7-Way ABS Cable Assy	Straight	Green	Zinc	--	15'
PHP30-4621	7-Way ABS Cable Assy	Coiled	Green	Zinc	12'	15'
1010185	7-Way, 6/14-1/12GA	Coiled	Black	Zinc	12"	12'
1010186	7-Way, 6/12-1/10GA	Coiled	Black	Zinc	12"	12'
1010187	7-Way, 6/14-1/12GA	Coiled	Black	Zinc	12"	15'
1010188	7-Way, 6/12-1/10 GA	Coiled	Black	Zinc	12"	15'



30-2071

30-4921



1010188

ISO Cable Assy

Part No.	Description	Type	Color	Plug	Leads	Length
PHP31-9323	7-Way ISO Cable Assy	Coiled	Yellow	Zinc	12"	12'
PHP31-9623	7-Way ISO Cable Assy	Coiled	Yellow	Zinc	12"	15'
PHP31-9923	7-Way ISO Cable Assy	Coiled	Yellow	Zinc	12"/48"	15'
PHP31-2053	7-Way ISO Cable Assy	Straight	Yellow	Zinc	--	12'
PHP31-2073	7-Way ISO Cable Assy	Straight	Yellow	Zinc	--	15'



31-2053

PHP31-9923

4 & 6 Way Cable Assy

Part No.	Description	Type	Color	Plug	Length
PHP19-6710	Coiled Assy, 6/16 ga	6-Way	Blue	Platic	10'
PHP19-6712	Coiled Assy, 6/16 ga	6-Way	Blue	Platic	12'
PHP19-4715	Coiled Assy, 4/16 ga	4-Way	Blue	Platic	15'
PHP19-4712	Coiled Assy, 4/16 ga	4-Way	Blue	Platic	12'



PHP19-6712

Lift Gate Assy

Part No.	Description	Type	Color	Leads	Length
1010196	Coiled Lift Gate Assembly	Single	Black	12"	15'
TCT7DTB522MW	Coiled Lift Gate Assembly	Dual	Black	12"	15'
PHP23-2628	Coiled Lift Gate Assembly	Dual/Single	Black	12"	15'
PHP23-2626	Coiled Lift Gate Assembly	Dual	Black	12"	15'
TCT7DDB522MW	Coiled Lift Gate Assembly	Dual/Vertical	Red	12"	15'
PHP23-2630	Coiled Lift Gate Assembly	Dual/Single	Black	48"/24"	15'
PHP23-2251	Straight Lift Gate Assembly	Dual	Black	12"	12'



PHP23-2628



PHP23-2626



PHP23-2630



TCT7DDB522MW



Butt Connectors

Wire Size	Color	PVC	Heat Shrink	Crimp and Solder
22 GA - 18 GA	Red	FCP20080	FCP20082	--
16 GA - 14 GA	Blue	FCP20170	FCP20172	FCP80172
12 GA - 10 GA	Yellow	FCP20310	FCP20312	--



FCP20082

Ring Terminals

Wire Size	Color	PVC		Heat Shrink			
		#10	1/4"	#10	1/4"	5/16"	3/8"
22 GA - 18 GA	Red	FCP50040	FCP50044	FCP40230	FCP40240	FCP40250	FCP40260
16 GA - 14 GA	Blue	FCP50100	FCP50101	FCP40100	FCP40101	FCP40102	FCP40103
12 GA - 10 GA	Yellow	FCP50230	FCP50240	FCP40230	FCP40240	FCP40250	FCP40260



FCP50230

Bullet Connectors

Wire Size	Color	STA-DRY®	
		Male - .180" Dia	Female - .180" Dia
22 GA - 18 GA	Red	PHP1-2268	PHP1-2266
16 GA - 14 GA	Blue	PHP1-2269	PHP1-2267



PHP1-2266

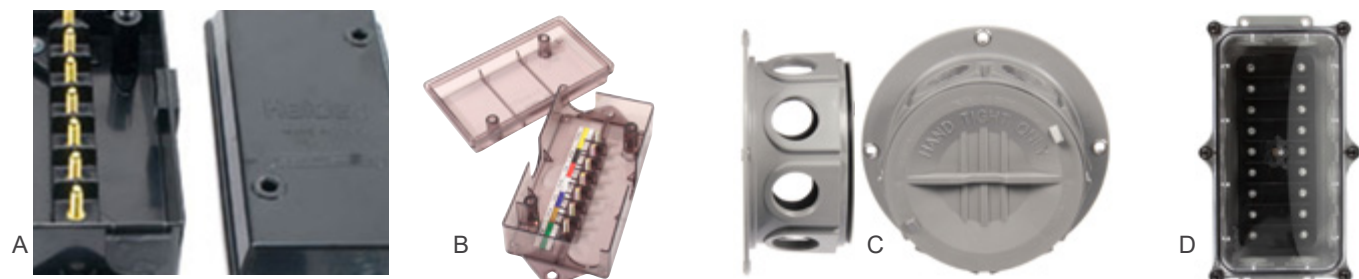


PHP1-2269

- Crimp barrel for mechanical reliability.
- Tin-plated copper for corrosion resistance.
- Adhesive-lined heat shrink tubing ensures a water tight seal to prevent contaminants from corroding the wire.

Junction Boxes

Part No.	Description	Terminals	Mount	Color	Ports	Image
FC22010-40	7-Terminal Junction Box	7	2-Hole	Black	4	A
PHP15-961	7-Terminal Junction Box	7	2-Hole	Clear	4	B
TRL50400	Super 50, 8 Port Box	8	4-Hole	Grey	8	C
TRL50600	16-Terminal Junction Box	16	4-Hole	Clear/Grey	12	D
HLXBE22040	7-Terminal Junction Box	7	2-Hole	Black	7	A



Electrical Plugs

Part No.	Description	Material	Spring	Image
PHP15-730	7-Way Plug	Zinc Diecast	Yes	A
PHP15-630	6-Way Plug	Zinc Diecast	Yes	B
PHP15-610	6-Way Plug	Zinc Diecast	No	B
PHP15-430	4-Way Plug	Zinc Diecast	Yes	C
PHP15-410	4-Way Plug	Zinc Diecast	No	C
PHP15-339	Vertical Dual Pole Plug	Zinc Diecast	Yes	D
PHP15-335	Single Pole Plug	Zinc Diecast	Yes	E
TCT670-DDSG	Dual Pole Vertical/Horizontal Plug	2-Hole	Black	F

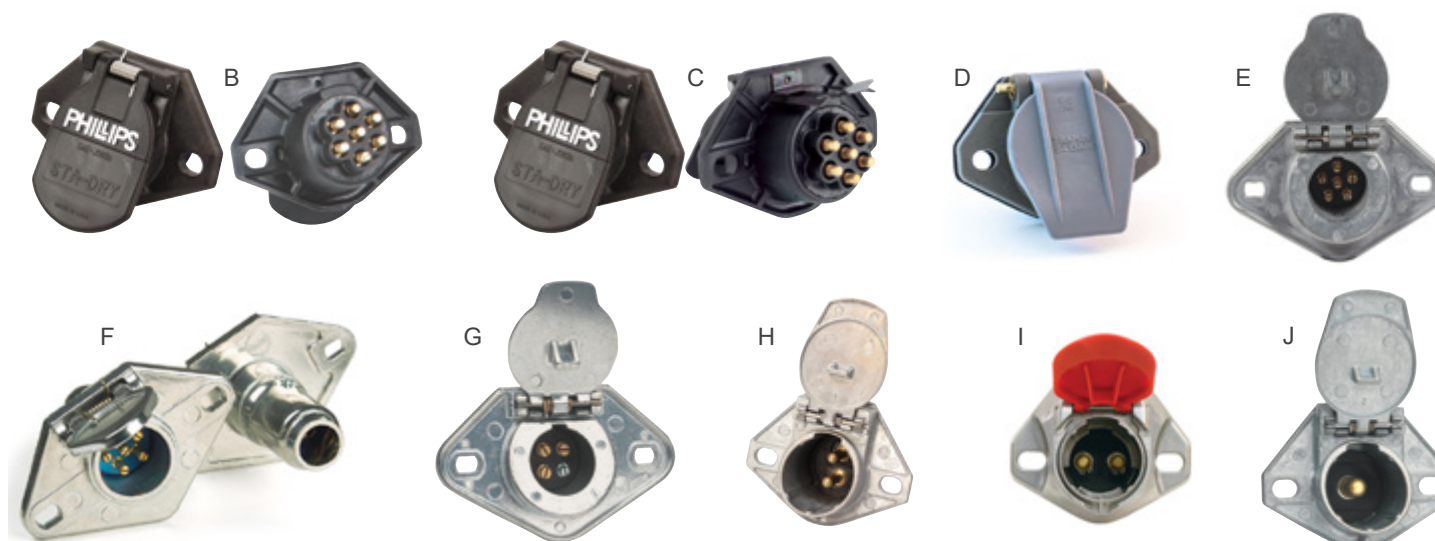


Scan to see Phillips Electrical Plugs.



Electrical Sockets

Part No.	Description	Material	Connection	Image
PHP15-720	7-Way Socket	Zinc Diecast	Screw	A
PHP16-724	7-Way Sta-Dry Socket	Composite	Bullets	B
PHP16-726	7-Way QCS Socket	Composite	--	C
38502	Smart Box 7-Way Socket	Composite	Bullets	D
PHP15-600	6-Way Socket	Zinc Diecast	Screw	E
GRT82-1016	6-Way Socket	Zinc Diecast	Screw	F
PHP15-400	4-Way Socket	Zinc Diecast	Screw	G
PHP15-328	Vertical Dual Pole Socket	Zinc Diecast	Screw	H
TCT670-22	Horizontal Dual Pole Socket	Zinc Diecast	Screw	I
PHP15-320	Single Pole Socket	Zinc Diecast	Screw	J





Nose Boxes

Part No.	Description	Pin Type	Breakers
PHP15-760	7-Way Nose Box Socket	Split	--
PHP15-762	7-Way Nose Box Socket, w/Breakers	Split	20 AMP
PHP15-763	7-Way Nose Box Socket, w/Breakers	Split	30 AMP
PHP16-7602-28	7-Way Nose Box Kit, Includes Nose box (PHP16-775), 28-Pin, Bullet Connector	Solid	--
PHP16-775	Nose Box Kit - Includes Box, Grommet, and Backplate		



Scan to see Phillips Nose Boxes.



PHP15-760



PHP16-775



PHP15-762

Nose Box Breakers

Part No.	Description	Amperage
PHP53-115	Nose Box Circuit Breaker	15 AMP
PHP53-120	Nose Box Circuit Breaker	20 AMP
PHP53-130	Nose Box Circuit Breaker	30 AMP



PHP53-115

Pigtails

TruckLite P/N	Grote P/N	Optronic P/N	Wires & Length	Connection	Function	
TRL94718	--	--	2 Wires, 5"	.180 Bullet / Ring	Marker Clearance	
TRL94862	--	--	2 Wires, 5"	.180 Bullet / Ring	Marker Clearance	
TRL94902	--	OPSA46PB	2 Wires, 7"	Stripped / Ring	Marker Clearance	
TRL94926	GRT67000	OPSA45PB	3 Wires, 4"	Stripped / Ring	Headlight	
TRL94992	--	--	2 Wires, 18"	.Stripped / Ring	Marker Clearance	
TRL94993	--	OPSA47PB	3 Wires, 5"	Stripped / Ring	Marker Clearance	
TRL97005	--	--	2 Wires, 5"	.180 Bullet	Stop/Turn/Tail	
--	--	OPSA45PMB	2 Wires, ---	Stripped / Ring	--	
--	GRT66910	--	2 Wires, ---	.180 Bullet / Ring	--	
--	GRT66931	--	2 Wires, ---	.180 Bullet	--	
--	GRT67002	--	2 Wires, ---	Stripped / Ring	--	



Since 1955, Truck-Lite product innovations have established the industry benchmark—time and time again. Approaching innovation with both an open mind and a steady hand has earned us the trust of customers for decades—and we do not intend to stop now.

Backed by a global technology leader, Clariance Technologies, we understand where commercial transportation is going and are developing the right innovations customers need. That means while you are focused on your business today, we can focus on where the industry is going tomorrow.

Common Connectors

PL-10 	19 Series Male Pin 	Right Angle PL-3 	Fit 'N Forget S.S. 	Fit 'N Forget M/C 	Right Angle PL-2 	Straight PL-2 	Straight PL-3 	Female Fit 'N Forget S.S. 	Female PL-10
Female PL-3 	Female PL-2 	Super 21 Plug 	M/C Self Seal 	Male Pin 	Female Male Pin 	19 Series Hot Wire 	Female Right Angle .180 Bullet Terminal 	Female H4 Connector 	H13 Connector
H5 Connector 	Male H4 Connector 	Ring Terminal with .180 Bullet 	Female .180 Bullet 	Deutsch Connector 	Molded Four Position .180 	2 Position .180 Bullet 	Heat Shrink Splice 	Female TA-1415 	.156 Bullet Shunt
.180 Bullet/Ring Terminal 	.180 Bullet 	Ring Terminal / Stripped End 	Stripped End 	.156 Bullet 	Female .156 Bullet 	Blunt Cut 			

Connection Information

When it comes to choosing the correct lamps for your truck or trailer, it's important to know the connection type on your vehicle's harness.

If the harness connector type does not match your desired light (lamp connector), you will need a plug to complete the connection.

Lamp Connector	The connector type located on the back of a lamp	
Plug Side 1	The connection between a plug and a lamp	
Plug Side 2	The connection between a plug and a trailer's harness	



Stop/Tail/Turn

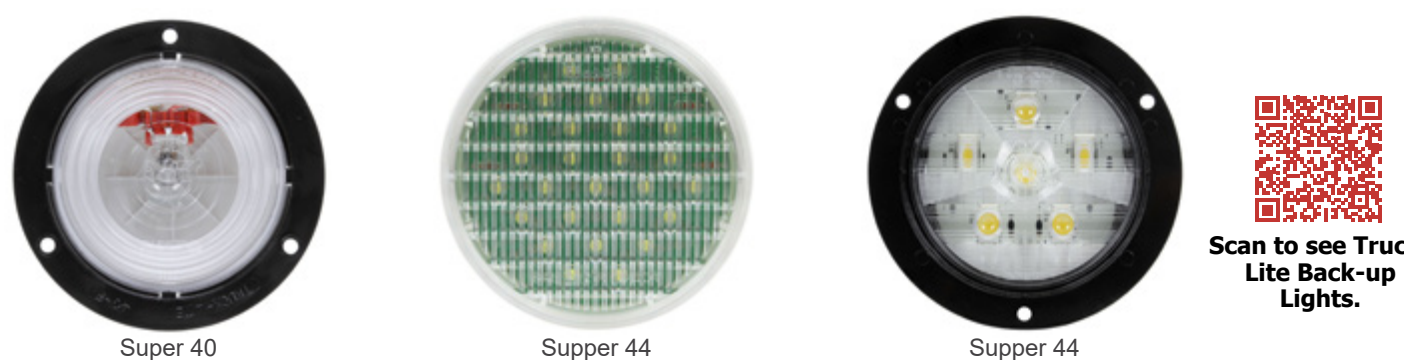
TruckLite P/N	Series	Color	Size	Shape	Mount Type	Type	Lamp Connection	Diodes / Bulbs
TRL40202R	40 Series	Red	4"	Round	Grommet	Incandescent	PL-3	1
TRL4050	Signal-Stat	Red	4"	Round	Grommet	LED	PL-3	24
TRL4050A	Signal-Stat	Amber	4"	Round	Grommet	LED	PL-3	24
TRL40242R	40 Series	Red	4"	Round	Grommet	Incandescent	PL-3	24
TRL40282R	40 Series	Red	4"	Round	Grommet	Incandescent	PL-3	1
TRL44030R	Super 44	Red	4"	Round	Grommet	LED	Fit 'N Forget S.S.	6
TRL44032R	Super 44	Red	4"	Round	Flange	LED	Fit 'N Forget S.S.	6
TRL44302R	Super 44	Red	4"	Round	Grommet	LED	Fit 'N Forget S.S.	6
TRL44322R	Super 44	Red	4"	Round	Flange	LED	Fit 'N Forget S.S.	6
TRL60202R	60 Series	Red	2"x6"	Oval	Grommet	Incandescent	PL-3	1
TRL60250R	60 Series	Red	2"x6"	Oval	Grommet	LED	Fit 'N Forget S.S.	26
TRL6050	Signal-Stat	Red	2"x6"	Oval	Grommet	LED	PL-3	24



Scan to see Truck-Lite Stop/Turn/Tail Lights.

Back-Up

TruckLite P/N	Series	Color	Size	Shape	Mount Type	Type	Lamp Connection	Diodes / Bulbs
TRL40260	Super 40	Clear	4"	Round	Flange	Incandescent	PL-2	1
TRL44206C	Super 44	Clear	4"	Round	Grommet	LED	Fit 'N Forget S.S.	27
TRL44346C	Super 44	Clear	4"	Round	Flange	LED	Fit 'N Forget S.S.	6
TRL44350C	Super 44	Clear	4"	Round	Grommet	LED	Fit 'N Forget S.S.	6
TRL44990C	Super 44	Clear	4"	Round	Grommet	LED	Fit 'N Forget S.S.	6



Scan to see Truck-Lite Back-Up Lights.

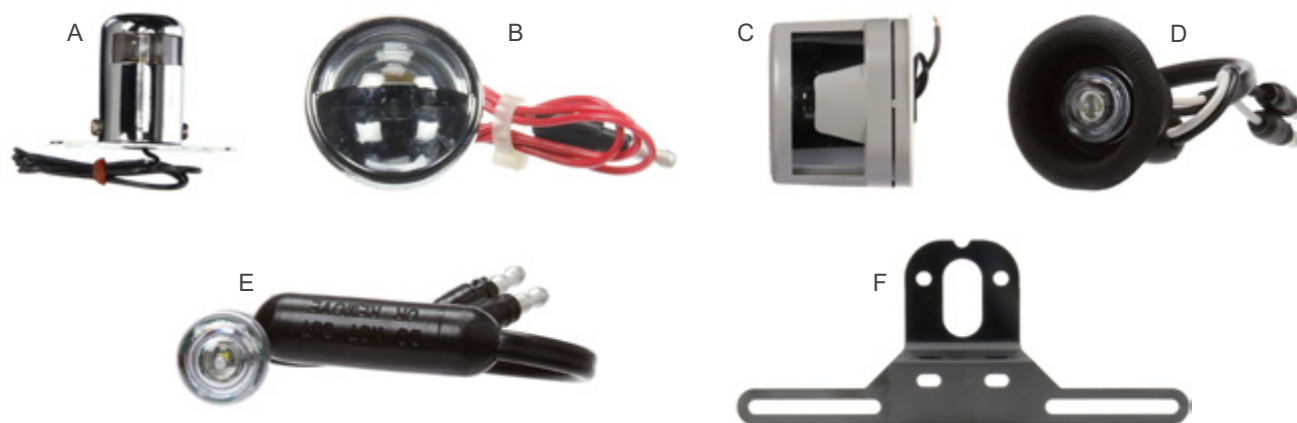


License

TruckLite P/N	Series	Color	Size	Connection	Mount Type	Type	Image
TRL26330	26 Series	Clear	--	Stripped End	2 Screw Bracket	Incandescent	A
TRL26331	26 Series	Clear	1"	.180 Bullet	Grommet	Incandescent	B
TRL26335	26 Series	Clear	--	Stripped End	Bracket Mount Kit	Incandescent	C
TRL33010C	33 Series	Clear	.75"	.180 Bullet	Grommet	LED	D
TRL33210C	33 Series	Clear	.75"	.180 Bullet	Grommet	LED	E
TRL42722	--	--	1"x2"	--	Bracket	--	F
TRL15040	--	--	--	--	Bracket	LED	--



Scan to see Truck-Lite License Lights.



Turn Signal Lights

TruckLite P/N	Series	Color	Size	Shape	Mount Type	Type	Lamp Connection	Diodes / Bulbs
TRL60215Y	22 Series	Yellow	2"x6"	Rectangular	2 Screw	Incandescent	PL-3	1
TRL60272Y	22 Series	Yellow	2"x6"	Rectangular	2 Screw	Incandescent	PL-3	1
TRL60275Y	Super 44	Yellow	4"	Round	Flange	LED	Fit 'N Forget S.S.	42
TRL60420Y	60 Series	Yellow	2"x6"	Oval	Grommet	Incandescent	PL-3	1
TRL60420Y	60 Series	Yellow	2"x6"	Oval	Flange	LED	Fit 'N Forget S.S.	26
TRL60420Y	60 Series	Yellow	2"x6"	Oval	Grommet	Incandescent	PL-3	1
TRL60420Y	60 Series	Yellow	2"x6"	Oval	Flange	LED	Fit 'N Forget S.S.	26
TRL60420Y	60 Series	Yellow	2"x6"	Oval	Grommet	LED	Fit 'N Forget S.S.	26
TRL60420Y	60 Series	Yellow	2"x6"	Oval	Flange	LED	Fit 'N Forget S.S.	6
TRL60420Y	60 Series	Yellow	2"x6"	Oval	Grommet	LED	Fit 'N Forget S.S.	6



Scan to see Truck-Lite Turn Signal Lights.



22 Series

22 Series

Supper 44

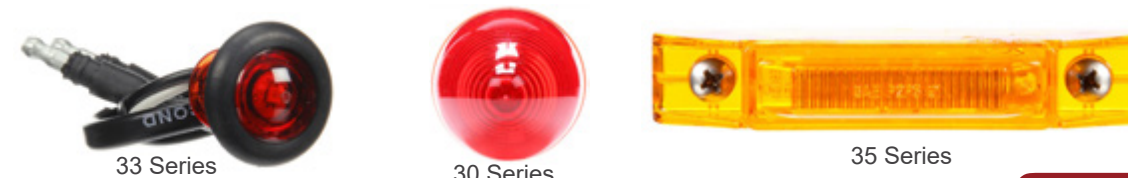
60 Series

Marker/Clearance

TruckLite P/N	Series	Color	Size	Shape	Mount Type	Type	Lamp Connection	Diodes / Bulbs
TRL10202R	10 Series	Red	2.5"	Round	Grommet	Incandescent	PL-10	1
TRL10250R	10 Series	Red	2.5"	Round	Grommet	LED	Fit 'N Forget M/C	2
TRL1050	Signal-Stat	Red	2.5"	Round	Grommet	LED	PL-10	6
TRL1050A	Signal-Stat	Yellow	2.5"	Round	Grommet	LED	PL-10	6
TRL19200R	19 Series	Red	1"x4"	Rectangular	Bracket	Incandescent	19 Series Male Pin	2
TRL19200Y	19 Series	Yellow	1"x4"	Rectangular	Bracket	Incandescent	19 Series Male Pin	2
TRL30200R	30 Series	Red	2"	Round	Grommet	Incandescent	PL-10	1
TRL30200Y	30 Series	Yellow	2"	Round	Grommet	Incandescent	PL-10	1
TRL30276R	30 Series	Red	2"	Beehive	Grommet	LED	Fit 'N Forget M/C	2
TRL33050R	33 Series	Red	0.75"	Round	Grommet	LED	Hardwired	1
TRL33050Y	33 Series	Yellow	0.75"	Round	Grommet	LED	Hardwired	1
TRL35001Y	35 Series	Yellow	1"x4"	Rectangular	2 Screw	LED	Fit 'N Forget M/C	2
TRL35200R	35 Series	Red	1"x4"	Rectangular	2 Screw	LED	Fit 'N Forget M/C	1
TRL35200Y	35 Series	Yellow	1"x4"	Rectangular	2 Screw	LED	Fit 'N Forget M/C	2
TRL35375Y	35 Series	Yellow	1"x4"	Rectangular	2 Screw	LED	Fit 'N Forget M/C	5



Scan to see Truck-Lite Marker/Clearance Lights.



33 Series

30 Series

35 Series

Light Bar

TruckLite P/N	Series	Color	Size	Shape	Mount Type	Type	Lamp Connection	Diodes / Bulbs	Image
TRL10744R	10 Series	Red	2.5"	Round	4 Screw	Incandescent	PL-10	1	A
TRL15050R	15 Series	Red	1"x2"	Rectangular	2 Screw	LED	PL-10	1	B
TRL15745R	15 Series	Red	1"x2"	Rectangular	2 Screw	Incandescent	PL-10	1	B
TRL33740R	33 Series	Red	.75"	Round	Grommet	LED	Hardwired	1	C
TRL35740R	35 Series	Red	1"x4"	Rectangular	2 Screw	LED	Fit 'N Forget M/C	1	D



Scan to see Truck-Lite Identification Bars.



A

B

C

D



Strobe & Warning

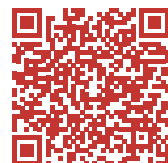
TruckLite P/N	Series	Color	Size	Shape	Mount Type	Type	Lamp Connection	Diodes / Bulbs
TRL44101Y	Super 44	Yellow	4"	Round	Grommet	LED	Fit 'N Forget S.S.	42
TRL44102Y	Super 44	Yellow	4"	Round	Grommet	LED	Fit 'N Forget S.S.	42
TRL44211Y	Super 44	Yellow	4"	Round	Grommet	LED	Fit 'N Forget S.S.	42
TRL44212Y	Super 44	Yellow	4"	Round	Grommet	LED	Fit 'N Forget S.S.	42
TRL44213Y	Super 44	Yellow	4"	Round	Flange	LED	Fit 'N Forget S.S.	42
TRL44214Y	Super 44	Yellow	4"	Round	Flange	LED	Fit 'N Forget S.S.	42
TRL44216Y	Super 44	Yellow	4"	Round	1 Stud	LED	Fit 'N Forget S.S.	42
TRL44218Y	Super 44	Yellow	4"	Round	Grommet	LED	Hardwired	6
TRL60120Y	Super 60	Yellow	2"x6"	Oval	Grommet	LED	Fit 'N Forget S.S.	36
TRL60122Y	Super 60	Yellow	2"x6"	Oval	Grommet	LED	Fit 'N Forget S.S.	36
TRL60360Y	Super 60	Yellow	2"x6"	Oval	Grommet	LED	Fit 'N Forget S.S.	36
TRL60367Y	60 Series	Yellow	2"x6"	Oval	Grommet	LED	Fit 'N Forget	8



TRL44101Y



TRL44218Y



A Worldwide Leader in Vehicle Lighting and Safety Systems, Grote is proud of the revolution in lighting performance we created in 1989. Since then, LED technology has proved to be more reliable, more durable, and less expensive, lasting 10 times longer and using less power than previous technology. From clearance markers, LED lamps have found uses all around the rigs – stop tail turns, head lamps, auxiliary, interior, and every place a lamp is used today. The future Looks Bright. As LED technology evolves, so does Grote's cutting-edge nanotechnology. With ultimate flexibility, consistent, highquality brightness and the strength to resist the most extreme conditions, LightForm™ is shedding a new light on LED transportation applications. LightForm™ conforms to almost any shape or contour without sacrificing quality or performance. And with LightForm™, there is no mounting or tooling required, so you also save time and money. In fact, the ultra-thin structure is the most flexible, lightweight, low-profile LED lighting product available today.

Stop/Tail/Turn

Grote P/N	Series	Color	Size	Shape	Connection	Mount Type	Type	Diodes / Bulbs
GRT52922	Economy	Red	4"	Round	Female Pin	Grommet	Incandescent	1
GRT53102	Torsion Mount®	Red	4"	Round	Male Pin	Grommet	Incandescent	1
GRT53252	SuperNova®	Red	4"	Round	Male Pin	Grommet	LED	10
GRT53292	SuperNova®	Red	4"	Round	Male Pin	Bracket	LED	10
GRT53302	SuperNova®	Red	4"	Round	Male Pin	Grommet	LED	10
GRT53552	SuperNova®	Red	4"	Round	Hard Shell	Grommet	LED	10
GRT53962	SuperNova®	Red	6"	Oval	Male Pin	Grommet	LED	10
GRT54332	NexGen™, SuperNova®	Red	4"	Round	Male Pin	Grommet	LED	3
GRT54342	Grote Select™	Red	4"	Round	Female Pin	Grommet	LED	3
GRT54342-3	Grote Select™	Red	4"	Round	Female Pin	Grommet	LED	3
GRT54492	NexGen™, SuperNova®	Red	4"	Round	Male Pin	Bracket	LED	3
GRTG4002	Hi Count®	Red	4"	Round	Female Pin	Bracket, Grommet	LED	24



Economy



Torsion Mount®



SuperNova®



NexGen™, SuperNova®



Hi Count®



Back-Up

Grote P/N	Series	Color	Size	Shape	Connection	Mount Type	Type	Diodes / Bulbs
GRT62091	NexGen™, SuperNova®	Clear	4"	Round	Male Pin	Grommet	LED	10
GRT62171	Torsion Mount®	Frosted	4"	Round	Female Pin	Grommet	Incandescent	1
GRT62211	Economy	Clear	4"	Round	Male Pin	Bracket	Incandescent	1
GRT62271	Torsion Mount®	Clear	4"	Round	Female Pin	Grommet	Incandescent	1
GRT62691	Grote Select™	Clear	4"	Round	Female Pin	Grommet	LED	3



Economy



Torsion Mount®



NexGen™, SuperNova®



Grote Select™

License

Grote P/N	Series	Color	Shape	Connection	Mount Type	Type	Diodes / Bulbs
GRT60001	Duramold	Clear	--	Blunt Cut	Snap Fit	Incandescent	1
GRT60331	Turtleback®	Clear	Rectangular	Male Pin	Screw	Incandescent	1
GRT60381	SuperNova®	Clear	--	Standard .180" Male Bullet	Bracket	LED	1
GRT60671	MicroNova®	Clear	Rectangular	Standard .180" Male Bullet	Grommet	LED	1
GRT60681	MicroNova®	Clear	Rectangular	Standard .180" Male Bullet	Bracket	LED	1
GRT60721	Economy	Clear	Round	Standard .180" Male Bullet	Grommet	LED	1



Duramold



Turtleback®



SuperNova®



MicroNova®



Economy



MicroNova® w/ Bracket

Turn Signal Lights

Grote P/N	Series	Color	Size	Shape	Connection	Mount Type	Type	Diodes / Bulbs
GRT53963	SuperNova®	Amber	6"	Oval	Male Pin	Grommet	LED	21
GRT54163	NexGen™, SuperNova®	Amber	6"	Oval	Male Pin	Bracket, Grommet	LED	3
GRT54173	Grote Select™	Amber	6"	Oval	Female Pin	Grommet	LED	3
GRTG4003	Hi Count®	Amber	4"	Round	Female Pin	Bracket, Grommet	LED	24



Hi Count®



SuperNova®



Grote Select™

Marker/Clearance

Grote P/N	Series	Color	Size	Shape	Connection	Mount Type	Type
GRT47072	SuperNova®, Turtleback®	Red	2" X 6"	Rectangular	Male Pin	Bracket	LED
GRT47073	SuperNova®, Turtleback®	Amber	2" X 6"	Rectangular	Male Pin	Bracket	LED
GRT47163	SuperNova®, Turtleback®	Amber	2" X 6"	Rectangular	Male Pin	Screw	LED
GRT47242	SuperNova®	Red	2"	Rectangular	Faston Tab	Screw	LED
GRT47243	SuperNova®	Amber	3"	Rectangular	Faston Tab	Screw	LED
GRT47463	SuperNova®	Amber	3"	Rectangular	Faston Tab	Screw	LED
GRT47962	MicroNova®	Red	2" X 1"	Oval	Standard .180" Male Bullet	Grommet	LED
GRT47963	MicroNova®	Amber	2" X 1"	Oval	Standard .180" Male Bullet	Grommet	LED
GRT47972	MicroNova®	Red	2" X 1"	Oval	Standard .180" Male Bullet	Grommet	LED
GRT49333	MicroNova®	Amber	1"	Round	Standard .180" Male Bullet	Grommet	LED



SuperNova®, Turtleback®



SuperNova®



MicroNova®



Light Bar

Grote P/N	Series	Color	Size	Shape	Connection	Mount Type	Type
GRT49042	--	Red	14.5"	Rectangular	Blunt Cut	Screw	Incandescent
GRT49082	--	Red	14.5"	Rectangular	Blunt Cut	Screw	Incandescent
GRT49142	--	Red	14.5"	Rectangular	Blunt Cut, Ring Terminal	Screw	Incandescent
GRT49162	SuperNova®	Red	16"	Rectangular	Blunt Cut	Screw	LED



SuperNova®

Strobe & Warning

Grote P/N	Color	Size	Shape	Connection	Mount	Type
GRT77353	Amber	4"	Round	Male Pin	Bracket, Grommet	LED
GRT77362	Red	6"	Oval	Male Pin	Bracket, Grommet	LED
GRT77363	Amber	6"	Oval	Male Pin	Bracket, Grommet	LED
GRT77463	Clear	1" X 3.5"	Rectangular	Blunt Cut	Surface	LED
GRT77913	Amber	4.25" X 4.66"	Compact Dome	Battery	Magnetic	LED
GRT77933	Clear	1"	Round	Blunt Cut	Surface	LED
GRT78194	Amber	6", Low Profile	Oval	Blunt Cut	Grommet/Surface	LED



Established in 2007, UBLights is a premier supplier of heavy-duty transportation lighting and safety products. UBLights has spent the past decade improving the lighting options available to our customers, with hands-on approaches at every level of the process.

UBL is the leading brand in the intermodal market today. We have transitioned the majority of our products to LED, which promotes a longer life, uses less energy, and is more durable than incandescent alternatives.

This focus on LED-forward thinking is key to keeping UBLights at the forefront of transportation lighting technology.

UBLights offers a comprehensive collection of products - trailer and chassis lighting, work light, portable lights, safety lighting options, mirrors, mounting and wiring solutions, and everything your chassis or trailer could need to be in lighting compliance.

Stop/Tail/Turn/Back-Up

UBL P/N	Color	Size	Shape	Mount Type	Type	Diodes
LED2238-10A	Amber	2" X 6"	Oval	Grommet	LED	10
LED2238-10C	Clear	2" X 6"	Oval	Grommet	LED	10
LED2238-10R	Red	2" X 6"	Oval	Grommet	LED	10
LED2238-24A	Amber	2" X 6"	Oval	Grommet	LED	24
LED2238-24C	Clear	2" X 6"	Oval	Grommet	LED	24
LED2238-24R	Red	2" X 6"	Oval	Grommet	LED	24
LED2238-7R	Red	2" X 6"	Oval	Grommet	LED	7
LED4000-10R	Red	4"	Round	Grommet	LED	10
LED4000-24C	Clear	4"	Round	Grommet	LED	24
LED4000-24R	Red	4"	Round	Grommet	LED	24
LED4000-1R2	Red	4"	Round	Flange	LED	1



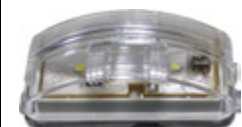
Scan to see UBLights Stop/Tail/Turn/Back-up Lights.

Electrical | UBLights Stop/Tail/Turn/Back-Up



License

UBL P/N	Color	Size	Shape	Mount Type	Type	Diodes
LLP1225-2C	Clear	1" X 2"	Rectangular	Grommet	LED	2
LLP1225C-2	Clear / Chrome	1" X 2"	Rectangular	Screw	LED	2
LLP3000-2C	Clear	1"	Round	Screw	LED	2



Scan to see UBLights License Lights.

Marker/Clearance

UBL P/N	Color	Size	Shape	Mount Type	Type	Diodes
LR2238-9A	Amber	--	Rectangular	Grommet	LED	9
SE1040A	Amber	1" X 4'	Rectangular	Grommet	Incandescent	1
SE1040R	Red	1" X 4'	Rectangular	Grommet	Incandescent	1
SE2000R	Red	2"	Round	Grommet	Incandescent	1



Scan to see UBLights Marker/Clearance Lights.

Marker/Clearance

UBL P/N	Color	Size	Shape	Mount Type	Type	Diodes
LED0700A-BLT	Yellow	0.75"	Round	Grommet	LED	1
LED0700R-BLT	Red	0.75"	Round	Grommet	LED	1
LED2000-10A	Amber	2"	Round	Grommet	LED	10
LED2000-10R	Amber	2"	Round	Grommet	LED	10
LED2000-4A	Amber	2"	Round	Grommet	LED	4
LED2500-13A	Amber	2.5"	Round	Grommet	LED	13
LED2500-13R	Red	2.5"	Round	Grommet	LED	13
LED2500-4R	Red	2.5"	Round	Grommet	LED	4



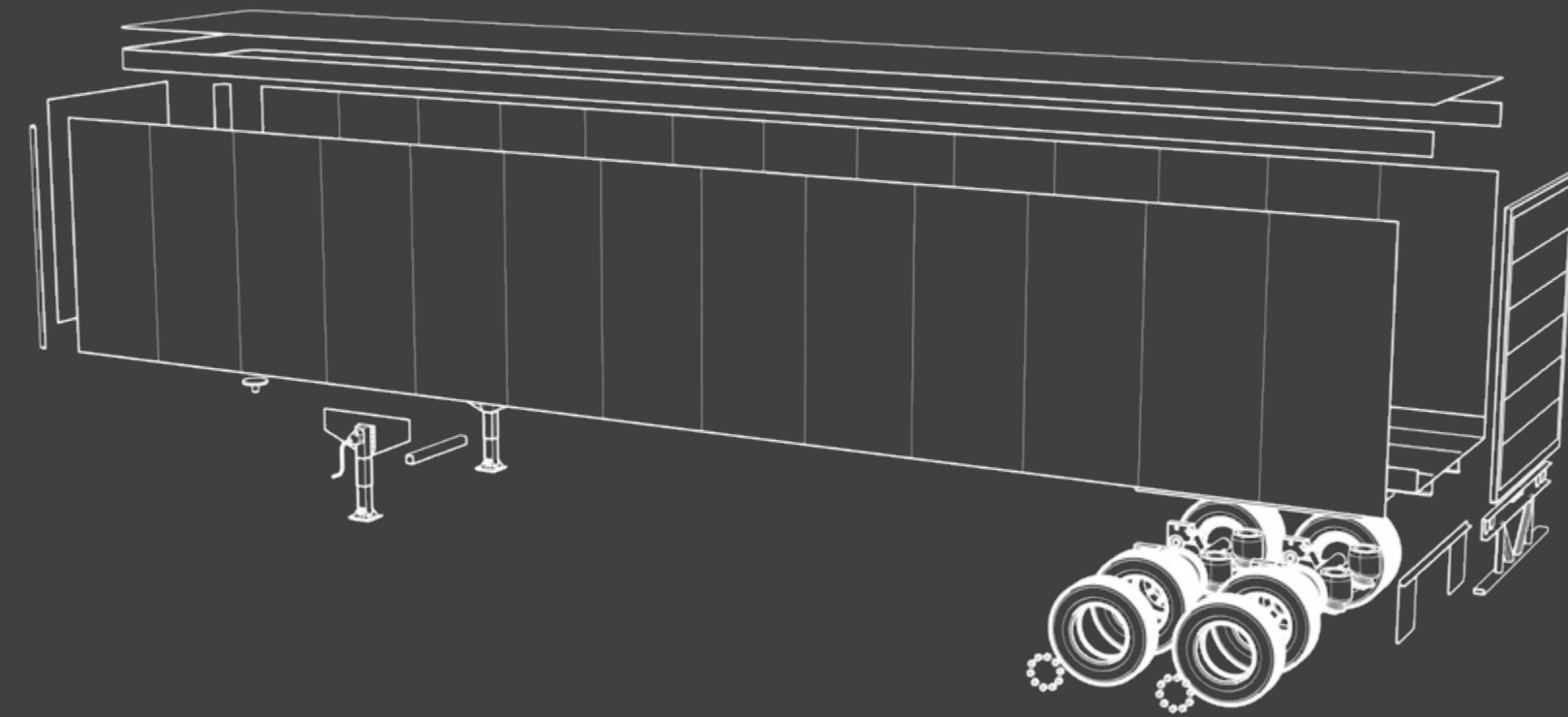
Light Bars

UBL P/N	Color	Size	Shape	Mount Type	Type	Diodes
LBL2000R	Red	16" (2" Light)	Rectangular	Screw	LED	(3) 4 Diode
LBL2500R	Red	16" (2.5" Light)	Rectangular	Screw	LED	(3) 4 Diode
LB2000R	Red	16" (2" Light)	Rectangular	Screw	Incandescent	3
LB2500R	Red	16" (2.5" Light)	Rectangular	Screw	Incandescent	3





**ROAD EQUIPMENT
PARTS CENTER**



Engine Components



Batteries

Part No.	Description	C.C.A.	Connection	Warranty
31AGM	Battery	825	Stud	18-MTH
31P-950	Battery	950	Post	24-MTH
31S-750	Battery	750	Stud	24-MTH
31S-950	Battery	950	Stud	24-MTH
MWB31DC-800	Battery	700	Dual	24-MTH
MWB65-84	Battery	850	Post	24-MTH
MWB78DT-84	Battery	750	Dual	24-MTH



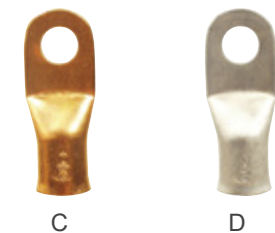
Battery Cable

Part No.	Description	Color	Gauge	Length
GRT82-5702	Battery Cable	Black	2/0	25'
GRT82-6717	Battery Cable	Red	6	25'
GRT82-6718	Battery Cable	Red	4	25'
GRT82-5722	Battery Cable	Black	2	25'
GRT82-6721	Battery Cable	Red	2/0	25'
GRT82-6723	Battery Cable	Red	3/0	25'



Lugs/Terminals

Part No.	Description	Gauge	Terminal	Ring	Image
PHP8-1260	Battery Terminal - Crimp, Left Elbow	2/0	Positive	--	A
PHP8-1261	Battery Terminal - Crimp, Left Elbow	2/0	Negative	--	A
PHP8-1360	Battery Terminal - Crimp, Right Elbow	2/0	Positive	--	A
PHP8-1361	Battery Terminal - Crimp, Right Elbow	2/0	Negative	--	A
PHP8-1460	Battery Terminal - Crimp, Flag	2/0	Positive	--	B
PHP8-1461	Battery Terminal - Crimp, Flag	2/0	Negative	--	B
PHP8-2121	Battery Terminal - Standard Lug, Straight	4	--	1/4"	C
PHP8-2122	Battery Terminal - Standard Lug, Straight	4	--	5/16"	C
PHP8-2133	Battery Terminal - Standard Lug, Straight	2	--	3/8"	C
PHP8-2153	Battery Terminal - Standard Lug, Straight	1/0	--	3/8"	C
PHP8-2163	Battery Terminal - Standard Lug, Straight	2/0	--	3/8"	C
PHP8-2165	Battery Terminal - Standard Lug, Straight	2/0	--	1/2"	C
PHP8-2173	Battery Terminal - Standard Lug, Straight	3/0	--	3/8"	C
PHP8-2183	Battery Terminal - Standard Lug, Straight	4/0	--	3/8"	C
PHP8-2185	Battery Terminal - Standard Lug, Straight	4/0	--	1/2"	C
PHP8-2223	Battery Terminal - Standard Lug, Plated	4	--	3/8"	D
PHP8-2243	Battery Terminal - Standard Lug, Plated	1	--	3/8"	D
PHP8-2283	Battery Terminal - Standard Lug, Plated	4/0	--	3/8"	D
PHP8-2763	Battery Terminal - Locking Lug	2/0	--	3/8"	E
PHP8-2980	Battery Terminal - Copper Butt Splice	4/0	--		F
PHP8-6421	Battery Terminal - Conversion, Stud-to-Post				G



Belts



Part Number	Description	Type	Material	Ribs	Width	Length
CE17435	Accessory Drive Belt	V-Belt	EPDM	1	17/32"	43-5/8"
CE17446	Accessory Drive Belt	V-Belt	EPDM	1	17/32"	44-3/4"
CE17470	Accessory Drive Belt	V-Belt	EPDM	1	17/32"	47"
CE17511	Accessory Drive Belt	V-Belt	EPDM	1	17/32"	51-1/8"
CE17591	Accessory Drive Belt	V-Belt	EPDM	1	17/32"	59-1/8"
CE22550	Accessory Drive Belt	V-Belt	EPDM	1	22/32"	55"
CE4060635	Serpentine Multi-V Belt	Multi-V	EPDM	6	27/32"	63-1/2"
CE4060638	Serpentine Multi-V Belt	Multi-V	EPDM	6	27/32"	63-3/4"
CE4060640	Serpentine Multi-V Belt	Multi-V	EPDM	6	27/32"	64"
CE4080560	Serpentine Multi-V Belt	Multi-V	EPDM	8	35/32"	56"
CE4080625	Serpentine Multi-V Belt	Multi-V	EPDM	8	35/32"	62-1/2"
CE4080630	Serpentine Multi-V Belt	Multi-V	EPDM	8	35/32"	63"
CE4080797	Serpentine Multi-V Belt	Multi-V	EPDM	8	35/32"	79-3/4"
CE4080830	Serpentine Multi-V Belt	Multi-V	EPDM	8	35/32"	83"
CE4080855	Serpentine Multi-V Belt	Multi-V	EPDM	8	35/32"	85-1/2"
CE4081005	Serpentine Multi-V Belt	Multi-V	EPDM	8	35/32"	100-1/2"
CE4081024	Serpentine Multi-V Belt	Multi-V	EPDM	8	35/32"	102-3/8"
CE4081055X	HD Serpentine Multi-V Belt	Multi-V	EPDM	8	35/32"	105-1/2"
CE4081060X	HD Serpentine Multi-V Belt	Multi-V	EPDM	8	35/32"	106"
CE4100605	Serpentine Multi-V Belt	Multi-V	EPDM	10	45/32"	60-1/2"

Belt Finder



Continental V Belts

Continental V-Belts provide higher heat and abrasion resistance in even the toughest under-hood conditions. The result is greater wear resistance for an exceptional belt life. A polyester tensile member improves dimensional stability, controlling elongation and limiting belt slip.

Continental Multi-V Belts

Continental takes performance to the next level with its OE Technology Series Multi V-Belts, which run quieter and last longer. The belt's advanced EPDM rubber compounds virtually eliminate the chirps, squeaks and squeals typically associated with pulley misalignment. Advancements in design and materials give you the highest performance, low maintenance and proven results with no exceptions.



Band Clamp

Walker	Breeze	Description	Type	Size	Material	Width	Image
33272W	--	Band Clamp	Lap Joint Band	3.0"	S.S.	3.0"	A
33273W	--	Band Clamp	Lap Joint Band	3.5"	S.S.	3.0"	A
35795W	--	Band Clamp	U Bolt	6.0"	Steel	7.5"	B
35933W	--	Band Clamp	Muffler Shield	10.0"	Steel	--	C
35938W	--	Band Clamp	Exhaust Clamp	5.0"	S.S.	3.5"	D
35978W	E30ST	Band Clamp	Exhaust Clamp	3.0"	S.S.	3.0"	E
35975W	E50ST	Band Clamp	Exhaust Clamp	5.0"	S.S.	3.0"	E
35980W	E60ST	Band Clamp	Exhaust Clamp	6.0"	S.S.	3.0"	E
33222W	L30SA	Band Clamp	Lap Joint Band	3.0"	S.S.	3.0"	A
33968W	L35AA	Band Clamp	Lap Joint Band	3.5"	Steel	3.0"	A
33223W	L35SA	Band Clamp	Lap Joint Band	3.5"	S.S.	3.0"	A
33969W	L40AA	Band Clamp	Lap Joint Band	4.0"	Steel	3.0"	A
33274W	L40SA	Band Clamp	Lap Joint Band	4.0"	S.S.	3.0"	A
33288W	L50AA	Band Clamp	Lap Joint Band	5.0"	Steel	3.0"	A
33276W	L50SA	Band Clamp	Lap Joint Band	5.0"	S.S.	3.0"	A



V-Band Clamp

Walker	Breeze	Description	Type	Size	Material	Width
35500W	--	T-Bolt V-Band	V Band	5.0"	S.S.	0.875"
--	VT10388	T-Bolt V-Band	V Band	3.88"	S.S.	0.875"
--	VT10475	T-Bolt V-Band	V Band	4.75"	S.S.	0.875"
--	VT10588	T-Bolt V-Band	V Band	5.88"	S.S.	0.875"



35500W

Alternators

Delco Remy	Prestolite	Description	Model	Mount	Output	Image
8600066	--	Alternator	35SI	Pad	140A	
8600127	A36P170	Alternator	36SI	Pad	170A	
8600201	A24P1604P	Alternator	28SI	Pad	160A	
8600310	A24J160 / AVI555J	Alternator	24SI	Hinge	160A	
8600314	A28P200	Alternator	28SI	Pad	200A	
8600315	--	Alternator	28SI	Pad	160A	
8600889	A24P160 / AVI555P	Altnerator	24SI	Pad	160A	
8700018	A35P140	Alternator	35SI	Pad	140A	
19020310	110-555JHO	Alternator	22SI	J180 Hinge	150A	
19020889	110-555PHO	Alternator	22SI	Pad	150A	

Starters

Delco Remy	Prestolite	Description	Model	Teeth	Pinion Pitch	Mount	Rotation
8200235	--	Starter	38MT	10	8/10	SAE 1	CW
8200308	M39308	Starter	39MT	11	6/8	SAE 3	CW
8200433	M39433	Starter	39MT	12	8/10	SAE 3	CW
8200434	M39434	Starter	39MT	12	MOD 3.00	SAE 3	CW
8200468	--	Starter	39MT	11	8/10	SAE 1	CW
8201100	M110602	Starter	39MT	12	8/10	SAE 3	CW
8300084	--	Starter	39MT	12	MOD 3.00	SAE 3	CW
10461052	M421052	Starter	42MT	11	6/8	SAE 3	CW
10461053	--	Starter	42MT	11	6/8	SAE 3	CW
10465043	--	Starter	28MT	10	10/12	SAE 1	CW
61008898	M110613	Starter	39MT	11	8/10	SEA 3	CW



61008898



Flex Tubing

Walker	Description	Material	Diameter	Length
1410050	Flex Tubing	Galv	5"	25'
1410150	Flex Tubing	S.S.	5"	25'



1410050



Mufflers

Walker	Description	Type	Pipe	Finish	Size	Length	Image
22920W	Muffler	Round	5"X5"	Aluminized	10"X10"	44"	
22963W	Mega Flow	Round	5"X5"	Aluminized	10"X10"	44"	
22551W	Muffler	Oval	3.5"X4"	Aluminized	8.25"X11.5"	30"	
22936W	Muffler	Round	4"X4"	Aluminized	9"X9"	44"	
22771W	Muffler	Round	5"X5"	Aluminized	9"X9"	19"	
21838W	Muffler	Round	4"X4"	Aluminized	8.375"X8.375"	33.5"	
22572W	Muffler	Round	4"X4"	Aluminized	9"X9"	20"	
22962W	Muffler	Round	4"X5"	Aluminized	10"X10"	44"	
22916W	Muffler	Round	4"X4"	Aluminized	10"X10"	45"	
22980W	Mega Flow Noisebreaker	Round	5"X5"	Aluminized	10"X10"	44"	
22664W	Muffler	Round	4"X4"	Aluminized	11.125"X11.125"	36"	
22940W	Muffler	Round	5"X5"	Aluminized	9"X9"	44"	

Muffler Hangers

Walker	Description	Type	Muffler Body Diameter
35983W	Muffler Hanger	Universal	10"
35972W	Muffler Hanger	Universal	9"
35733W	Muffler Hanger	Universal	8.25"X11.5"
35899W	Muffler Hanger	Universal	5"



35983W

Lube

Part No.	Description	Application	Image
BALB495	Full-Flow Lube Spin-on	Detroit Diesel Engines, Replaces: Detroit Diesel 23518480	
BALB76	Full-Flow Lube Spin-on	Akerman, Caterpillar, Mack, V.M.E., Volvo, R.V.I. Engines, Equipment, Replaces: Caterpillar 1R0739; Mack 485GB3191	
BALB99	Full-Flow Lube Spin-on	Atlas Copco, Demag, Caterpillar Equipment, Replaces: Caterpillar 1R0716	
BALBD50000	High Efficiency Lube Spin-on	Cummins QST30 Engine; Cummins ISX15 Engines, Replaces: Cummins 4367100; Fleetguard LF14000NN	
BALBD7154	High Velocity Dual-Flow Lube Spin-on	Cummins Engines, Replaces: Cummins 3406809; Fleetguard LF9001	
BALB7177	Lube Spin-on	Equipment, Motor Homes and Trucks with Cummins ISB 5.9L, QSB 5.9L Engines, Replaces: Cummins 3937144	
BALB7685	By-Pass Lube Spin-on	R.V.I., Volvo Buses, Engines, Equipment, Trucks, Replaces: V.M.E. 119962280; Volvo 477556, 477556-5	
BALB7409	By-Pass Lube Spin-on	Mack MP7, MP8, MP10 Engines, Trucks, Replaces: Mack 20843764; Volvo 20843764	



Fuel

Part No.	Description	Application	Image
BALBF1259	Fuel/Water Separator Spin-on with Drain, CAUTION: Furnished D-Ring must be installed on post for seal. Can be used with FB1311 base.	Caterpillar, Cummins Engines; Euclid Rear Dumps; Kenworth, Volvo Trucks; Versatile Tractors, Replaces: Cummins 3329289; Fleetguard FS1000	
BALBF46117	Fuel Spin-on	Mack, Volvo Trucks, Replaces: Mack 23856886; Racor RS250RCR01; Volvo 22094967, 22474709, 23846895	
BALBF46129	Fuel Spin-on, Fill Plug pre-installed in filter. Remove after pre-filling filter with fuel prior to installation on application.	Freightliner; Kenworth; Peterbilt; Volvo Trucks with Cummins ISX11.9, ISX15.0, QSX11.9, X15 Engines, Replaces: Cummins 5365988; Fleetguard FF5825NN	
BALBF63000	Fuel Spin-on	Autocar, Dennis Eagle, Ford, Freightliner, International, Kenworth, Mack, Peterbilt, Western Star Trucks; Blue Bird Buses; Hyundai Excavators, Loaders; Skyjack Boom Lifts; Macdon Harvesters; Vogeles Paving Equipment (All with Cummins, Paccar Engines), Replaces: Cummins 5303743, 5660774; Fleetguard FF63009, FF63054NN	
BALBF7587	High Efficiency Fuel Spin-on, Can be used with FB46185 base.	Caterpillar Engines, Equipment; Ford, Freightliner, International, Kenworth, Peterbilt, Sterling, Western Star Trucks, Replaces: Caterpillar 1R0749	
BALBF9885	Fuel Spin-on, Fill Plug pre-installed in filter.;Remove after pre-filling filter with fuel prior to installation on application.;CAUTION: Not to be used on X15 Engines.	Kenworth, Peterbilt Trucks with Cummins ISX11.9, QSX11.9 Engines, Replaces: Cummins 2864993, 2893612; Fleetguard FF5776	
BALPF9804	Fuel/Water Separator Element	Freightliner Cascadia, Columbia, Business Class M2 all with Detroit Diesel DD13, DD15 Engines, Replaces: Alliance ABP/N10G-FS19915; Detroit Diesel FS19915WE, A0000903651, A4720921205	
BALPF9908KIT	Fuel Filter Kit	Freightliner, Western Star Trucks with Detroit Diesel DD13, DD15, DDD16 Engines Replaces: Detroit Diesel A4720900451, A4720900551	
BALPF7680	Fuel/Water Separator Element	Caterpillar, Cummins, Detroit Diesel, Mack Engines with Davco Housing, Replaces: Davco 380087; Detroit Diesel 23514049; Mack 301SD19A, 301SD19B	
BALPF9814	Fuel/Water Separator Element	Freightliner, IHC, Kenworth, Peterbilt Trucks, Replaces: Fleetguard FS19764; Davco 102527	
BALPF7744	Fuel/Water Separator Element	Freightliner, International, Kenworth, Peterbilt, Sterling, Volvo Trucks, Replaces: Caterpillar 4176217; Detroit Diesel 23521528; General Motors 23521528	
BALPF7930	Fuel/Water Separator Element	Davco FH230 Series Fuel Pro, FH234 Series Industrial Pro, Replaces: Davco 102528; Paccar 382951PAC25; Volvo 21737499, 85120233; Fleetguard FS19765	
BALBF5810	Secondary Fuel Spin-on, Can be used with FB1302 base.	Detroit Diesel Engines, Replaces: Detroit Diesel 23518482	
BALPF7748	Fuel/Water Separator Element	Davco Fuel Pro, Replaces: Detroit Diesel 23529168; Davco 382114	
BALBF7814	Fuel Spin-on	Mack Engines, Trucks; R.V.I. Trucks; Volvo Buses, Engines, Trucks, Replaces: Volvo 20430751	

Air

Part No.	Description	Application	Image
BALPA32000	EnduraCube Air Element	Kenworth Trucks T680, T800, T880, Peterbilt Trucks 567, 579, Replaces: Paccar P621725	
BALRS3518	Radial Seal Outer Air Element	Ford, Freightliner, International, Sterling, WhiteGMC Trucks, Replaces: Ford F1HZ-9601-B; GMC 25177196; International 3520400-C1; White 22-0013212	
BALPA30093	Cab Air Element	Kenworth T680, Peterbilt 579 Trucks, Replaces: Peterbilt X1987001	
BALPA5359	Cab Air Element	Freightliner Trucks; Thomas Buses, Replaces: Alliance ABP/N10G-36000006; Freightliner 36000006, VCC36000006	
BALPA4857	Cab Air Element	Freightliner Trucks, Replaces: Freightliner 91559, BOA91559	

Baldwin Filters, a brand of Parker Engine Mobile Aftermarket Division (EMAM), is a global provider of filtration products and services. Their mission is to protect customers' engines and mobile equipment, from first to last use, through innovative filtration solutions and outstanding customer service. Baldwin offers superb product quality, an extensive distribution network and the industry's broadest product line. This comprehensive portfolio of filtration products and technologies offers customers a single streamlined source for all their engine and mobile filtration needs.

Contact your Sales Representative for more information on our Full Line of Baldwin Filters. This is just a small sampling of the filters available to purchase.



Filter Finder





Fuel

Part No.	Description	Size	Length	Color
CE65125	Fuel Line / PCV / Emission Control Hose SAE J30R7	3/16"	25'	Black
CE65126	Fuel Line / PCV / Emission Control Hose SAE J30R7	1/4"	25'	Black
CE65127	Fuel Line / PCV / Emission Control Hose SAE J30R7	5/16"	25'	Black
CE65128	Fuel Line / PCV / Emission Control Hose SAE J30R7	3/8"	25'	Black



CE65126

Heater



Part Number	Description	Material	Size	Length	Color	Temp Range
CE65028	Blue Xtreme Heater Hose	EPDM	3/8"	50'	Blue	-40°F to 300°F
CE65029	Blue Xtreme Heater Hose	EPDM	1/2"	50'	Blue	-40°F to 300°F
CE65031	Blue Xtreme Heater Hose	EPDM	5/8"	50'	Blue	-40°F to 300°F
CE65004	HY-T® Black Heater Hose	EPDM	5/8"	50'	Black	-40°F to 257°F
CE65033	Blue Xtreme Heater Hose	EPDM	3/4"	50'	Blue	-40°F to 300°F
CE65026	HY-T® Red Heater Hose	EPDM	3/4"	50'	Red	-40°F to 257°F
CE65035	Blue Xtreme Heater Hose	EPDM	1"	50'	Blue	-40°F to 300°F
CE65012	HY-T® Black Heater Hose	EPDM	1"	50'	Black	-40°F to 257°F
5526-038X50	Silicone Heater Hose	Silicone	3/8"	50'	Blue	-65°F to 350°F
5526-050X50	Silicone Heater Hose	Silicone	1/2"	50'	Blue	-65°F to 350°F
5526-062X50	Silicone Heater Hose	Silicone	5/8"	50'	Blue	-65°F to 350°F
5526-075X50	Silicone Heater Hose	Silicone	3/4"	50'	Blue	-65°F to 350°F
5526-100X50	Silicone Heater Hose	Silicone	1"	50'	Blue	-65°F to 350°F



CE65028



CE65004



CE65026



5526-038X50

Radiator/Coolant

Part Number	Description	Material	Size	Length	Color	Temp Range
5515-100	3-Ply Coolant Hose	Silicone	1"	3'	Blue	-65°F to 350°F
5515-175	3-Ply Coolant Hose	Silicone	1.75"	3'	Blue	-65°F to 350°F
5515-200	3-Ply Coolant Hose	Silicone	2"	3'	Blue	-65°F to 350°F
5515-225	3-Ply Coolant Hose	Silicone	2.25"	3'	Blue	-65°F to 350°F
5515-250	3-Ply Coolant Hose	Silicone	2.5"	3'	Blue	-65°F to 350°F
5515-300	3-Ply Coolant Hose	Silicone	3"	3'	Blue	-65°F to 350°F



5515-300

Coolant Elbows

Part Number	Description	Material	Size	Leg Length	Color	Configuration	Temp Range
7884-100	Silicone Elbow	Silicone	1"	6"	Blue	90°	-65°F to 500°F
7884-125	Silicone Elbow	Silicone	1.25"	6"	Blue	90°	-65°F to 500°F
7884-175	Silicone Elbow	Silicone	1.75"	6"	Blue	90°	-65°F to 500°F
7884-200	Silicone Elbow	Silicone	2"	6"	Blue	90°	-65°F to 500°F
7884-250	Silicone Elbow	Silicone	2.5"	6.5"	Blue	90°	-65°F to 500°F
7884-300	Silicone Elbow	Silicone	3"	7.5"	Blue	90°	-65°F to 500°F
7896-100	Silicone Elbow	Silicone	1"	6"	Blue	45°	-65°F to 500°F
7896-225	Silicone Elbow	Silicone	2.25"	6.5"	Blue	45°	-65°F to 500°F
7896-250	Silicone Elbow	Silicone	2.5"	6.5"	Blue	45°	-65°F to 500°F
7896-300	Silicone Elbow	Silicone	3"	7.5"	Blue	45°	-65°F to 500°F



7884-300



7896-300





Tensioners



Part Number	Description	Application	Image
CE49147	Accessory Drive Belt Idler Pulley	FREIGHTLINER-114SD, 122SD, 122SD, CASCADIA, CASCADIA; CORONADO, CORONADO; (20-16); INTERNATIONAL-5500I, 5600I, 5900I, 9200I SBA, 9400I SBA, 9900I, 9900IX, HX520, LONESTAR, LT625, PROSTAR (22-04); INTERNATIONAL/NAVISTAR-5500I, 5600I, 5900I, 9200, 9200I, 9400, 9400I, 9900, 9900I, 9900IX; LONESTAR, PAYSTAR 5500I, PAYSTAR 5600I, PAYSTAR 5900I; PROSTAR, WORKSTAR 7300, WORKSTAR 7300, WORKSTAR 7400; (15-03); KENWORTH-T2000, T2000, T600A, T600A, T660, T660, T680, T680, T700, T700, T800, T800, T880, T880, W900, W900, W990 (23-04); MACK-CL, CL, CXU, CXU; (15-04); PETERBILT-320, 320, 357, 357, 365, 365, 367, 367, 378, 378, 379, 379, 384, 384, 384, 384, 386, 386, 387, 387, 388, 388, 389, 389, 520, 567, 567, 579, 579, 587, 587; (23-12); VOLVO-VN SERIES, VNL, VNL SERIES, VNM, VNM, VT, VT; (18-03); WESTERN STAR-4900 SERIES, 4900EX, 4900FA, 4900SA, 6900XD (18-13)	
CE49514	Accessory Drive Belt Tensioner Assembly	FREIGHTLINER-ARGOSY, ARGOSY, CASCADIA, CASCADIA; CENTURY CLASS, CENTURY CLASS; CLASSIC, CLASSIC XL, CLASSIC XL, CLASSIC, COLUMBIA, COLUMBIA; CORONADO, CORONADO, FLA, FLD, FLD112, FLD120, FLD120SD, FLD132, M2, M2 106, M2 112, M2 BUSINESS CLASS (inc. Sport Chassis); ST120 (Century Class); (12-99); HOLIDAY RAMBLER-NAVIGATOR; (07-05); KENWORTH-T2000, T2000, T800, T800, W900, W900; (01-00); MONACO-EXECUTIVE; SIGNATURE;(2005); PETERBILT-350, 370, 378, 378, 379, 379; (02-01); STERLING-A-LINE (9500); L-LINE (7500, 8500, 9500); SILVER STAR; (10-01); STERLING TRUCK-A9500, AT9500, L9500, L9500, LT9500, LT9500 (10-01); WESTERN STAR-4900, 4900 SERIES, 4900E, 4900EX, 4900FA, 4900SA, 5800, 5900, 5900, 6900XD (18-00)	
CE49520	Accessory Drive Belt Tensioner Assembly	FREIGHTLINER-ARGOSY, ARGOSY; CASCADIA, CASCADIA; CENTURY CLASS, CENTURY CLASS; CLASSIC XL, CLASSIC XL, CLASSIC XL, CLASSIC, COLUMBIA, COLUMBIA; CORONADO, CORONADO; FLD, FLD120, FLD120SD, FLD132, ST120 (Century Class); (11-00); STERLING-A-LINE (9500); CONDOR; L-LINE (7500, 8500, 9500); (09-04); STERLING TRUCK-A9500, AT9500, L9500, L9500 (09-04); WESTERN STAR-4900 SERIES, 4900EX, 4900FA, 4900SA, 6900XD (18-03)	
CE49545	Accessory Drive Belt Tensioner Assembly	ARGOSY; CASCADIA, CASCADIA; CENTURY CLASS, CENTURY CLASS; CLASSIC XL, COLUMBIA, COLUMBIA; CORONADO, CORONADO, FLD; (18-16); INTERNATIONAL-5600I, 9400I SBA, 9900I, 9900IX (09-04); INTERNATIONAL/NAVISTAR-5000, 5600I, 5900I, 7700, 9400I, 9900, 9900I, 9900IX; PAYSTAR 5500I, PAYSTAR 5600I, PAYSTAR 5900I; TRANSTAR 8500; (10-04); KENWORTH-C500, T2000, T600A, T660, T660, T680, T680, T800, T800, T880, T880, W900, W900; (23-05); MACK-CXU, CXU; (17-14); MONACO-DYNASTY; SIGNATURE;(2008); PETERBILT-320, 320, 357, 365, 365, 367, 367, 378, 379, 379, 384, 384, 386, 386, 387, 387, 388, 388, 520, 567, 567; (20-09); PIERCE MFG. INC.-VELOCITY(2009); SETRA-S415, S417;(2004); VOLVO-VN SERIES, VNL, VNL SERIES;(2017); WESTERN STAR-4900, 4900 SERIES, 4900E, 4900EX, 4900FA, 4900SA (07-02)	
CE49563	Accessory Drive Belt Tensioner Assembly	FREIGHTLINER-122SD, CASCADIA, CASCADIA; CORONADO, CORONADO; (18-15); INTERNATIONAL-5500I, 5600I, 5900I, 9200I SBA, 9400I SBA, 9900I, 9900IX, HX520, LONESTAR, LT625, PROSTAR (22-04); INTERNATIONAL/NAVISTAR-5500I, 5600I, 5900I, 9200, 9200I, 9400, 9400I, 9900, 9900I, 9900IX; LONESTAR, PAYSTAR 5500I, PAYSTAR 5600I, PAYSTAR 5900I; PROSTAR; (15-03); KENWORTH-C500, C500, T2000, T2000, T600A, T600A, T660, T660, T680, T680, T700, T700, T800, T800, T880, T880, W900, W900; W990 (23-98); MACK-CL, CL; (07-04); PETERBILT-357, 357, 365, 365, 367, 367, 378, 378, 379, 379, 384, 386, 386, 387, 387, 388, 388, 389, 389, 567, 567, 579, 579, 587, 587; (23-04); TEREX-FD; (12-10); VOLVO-VN SERIES, VNL, VNL SERIES, VNM, VNM, VT, VT; (18-03); WESTERN STAR-4900 SERIES, 4900EX, 4900FA, 4900SA, 6900XD (18-12)	
CE49580	Accessory Drive Belt Tensioner Assembly	JOHN DEERE-5065M Ag Tractor; 5075M Ag Tractor;(2009); MACK-CTP, CTP; CXP, CXP; CXU, CXU; GRANITE; GU; GU7, GU8, LEU, LEU; MR SERIES; MRU (15-07); PETERBILT-337, 337; (14-13); VOLVO-VAH SERIES; VHD, VHD; VN SERIES; VNL, VNL SERIES; VNM, VNM; (14-11)	
CE49582	Accessory Drive Belt Tensioner Assembly	FREIGHTLINER-114SD, 122SD, CASCADIA, CASCADIA; CORONADO, CORONADO; (20-16); INTERNATIONAL-5500I, 5600I, 5900I, 9200I SBA, 9400I SBA, 9900I, 9900IX, HX520, LONESTAR, LT625, PROSTAR (22-04); INTERNATIONAL/NAVISTAR-5500I, 5600I, 5900I, 9200, 9200I, 9400, 9400I, 9900, 9900I, 9900IX; LONESTAR, PAYSTAR 5500I, PAYSTAR 5600I, PAYSTAR 5900I; PROSTAR; WORKSTAR 7400; (13-03); KENWORTH-C500, C500, T2000, T2000, T600A, T600A, T660, T660, T680, T680, T700, T700, T800, T800, T880, W900, W900; W990 (23-98); MACK-CL, CL; (07-04); PETERBILT-320, 320, 357, 357, 365, 365, 367, 367, 378, 378, 379, 379, 384, 384, 386, 386, 387, 387, 388, 388, 389, 389, 520, 567, 579, 579, 587, 587; (23-11); TEREX-FD; (12-10); VOLVO-VN SERIES, VNL, VNL SERIES, VNM, VNM, VT, VT; (18-03); WESTERN STAR-4900EX, 4900FA, 4900SA, 6900XD (18-11)	
CE49601	Accessory Drive Belt Tensioner Assembly	MACK-CHU, CHU; CTP, CTP; CXP, CXP; CXU, CXU; GRANITE; GU; GU7, GU8, LEU, LEU; LR; LR600, LR600; MR SERIES; MRU, PINNACLE, TERRAPRO; (19-08); VOLVO-VAH, VAH SERIES; VHD, VHD; VN SERIES; VNL, VNL 300, VNL 400, VNL 740, VNL 760, VNL 860, VNL SERIES; VNM, VNM; VNR 300, VNR 400, VNR 640, VNR SERIES; (19-11)	
CE49603	Accessory Drive Belt Tensioner Assembly	FREIGHTLINER-114SD, 114SD; 122SD, 122SD; CASCADIA, CASCADIA; CENTURY CLASS; COLUMBIA; CORONADO, CORONADO; M2 112, M2 BUSINESS CLASS (inc. Sport Chassis); SPORT CHASSIS (24-12); STERLING-A-LINE (9500); L-LINE (7500, 8500, 9500); (09-08); TEREX-FD; (14-10); TRAIL MATE-LAWN EDGERS; VAN HOOL-COMMUTER COACH CX, TDX DOUBLE DECKER COACH, TOURIST COACH TX (20-16); WESTERN STAR-4700 SERIES; 4700SB, 4700SF, 4800 SERIES; 4800SB, 4800SF, 4900 SERIES; 4900EX, 4900FA, 4900SA, 5700XE, 6900XD, 6900XD; (21-12)	
CE49607	Accessory Drive Belt Tensioner Assembly	AUTOCAR LLC-XSPOTTER ON ROAD(2017); BLUE BIRD-ALL AMERICAN FE; ALL AMERICAN RE, ALL AMERICAN RE; VISION (Conventional); VISION SCHOOL BUS (19-11); FORD-F650 SUPER DUTY; F650, F750; (15-13); FREIGHTLINER-108SD, 108SD; B2; M2 106, M2 BUSINESS CLASS (inc. Sport Chassis); MT45, MT45; MT55, MT55; S2 Chassis; XC LOWERED RAIL, XC MODULAR RAIL, XC Motor Home Chassis; XC RAISED RAIL, XC STRAIGHT RAIL (24-12); IC CORPORATION-CE COMMERCIAL, CE SCHOOL BUS(2017); INTERNATIONAL-4300, 4300LP, 7300, HV507, HV607, MV607 (22-14); INTERNATIONAL/NAVISTAR-4300; DURASTAR; (19-14); KENWORTH-K270, K270; K370, K370, T170, T170, T270, T270; T370, T370; (23-15); PETERBILT-220, 220, 325, 325, 330, 330, 337, 337, 348; 536 (23-15); THOMAS BUILT-SAF-T-LINER EF; SAF-T-LINER, B & C SERIES; (15-14)	

U-Joints



Part Number	Fleetcraft	Description	Greaseable	Bearing Cap Dia	Snap Rings	OEM Series	Style
SP5-103X	--	U-Joint Kit	Yes	0.938"	Yes	1000SG	ISR
SP5-153X	--	U-Joint Kit	Yes	1.062"	Yes	1310	OSR
SP5-170X	G5-170X	U-Joint Kit	Yes	0.938"	Yes	1000	ISR
SP5-280X	G5-280X	U-Joint Kit	Yes	1.938"	Bearing Plate	1710	BP
SP5-281X	G5-281X	U-Joint Kit	Yes	1.938"	Bearing Plate	1810	BP
SP5-407X	G5-407X	U-Joint Kit	Yes	1.938"	Bearing Plate	1760	BP
SP5-675X	G5-675X	U-Joint Kit	Yes	1.938"	Bearing Plate	1710	HR
SP5-676X	G5-676X	U-Joint Kit	Yes	1.938"	Bearing Plate	1810	HR
SP5-677X	G5-677X	U-Joint Kit	Yes	1.938"	Bearing Plate	1760	HR
SPL170-4X	--	U-Joint Kit	Yes	2.165"	Yes	SPL170	SPRTAB
SPL250-3X	--	U-Joint Kit	Yes	2.362"	Yes	SPL250	SPRTAB

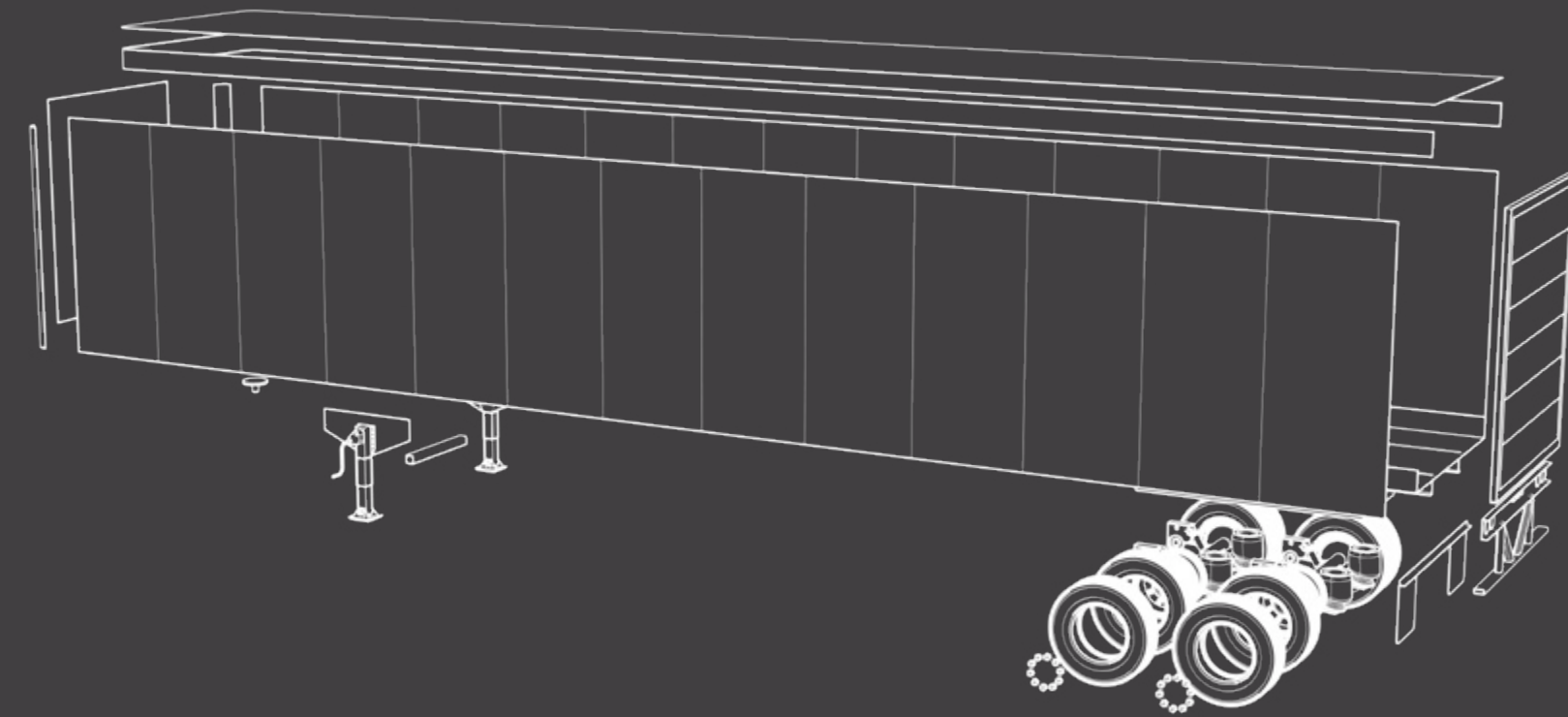


Engine Components | Tensioners

Engine Components | U-Joints



**ROAD EQUIPMENT
PARTS CENTER**

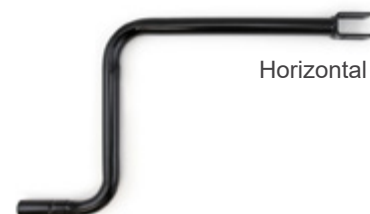


Landing Gear



Crank

Part Number	Description	Length
SAFLG0083-01	Crank Handle, Vertical	6"
1014442	Crank Handle, Horizontal	7"
JSTC10591.2	Crank Handle, Horizontal	8.25"
JSTC10592.2	Crank Handle, Vertical	8.25"
SAFXA-V-90-0	Crank Handle, Mark V, Vertical	9.12"
JSTC10591.3	Crank Handle, Horizontal	10.5"
1014439	Crank Handle, Vertical	11"
1014444	Crank Handle, Horizontal	11"
SAF112003	Crank Handle, Horizontal	14"
JSTC10591.5	Crank Handle, Horizontal	14.75"
JSTC10592.5	Crank Handle, Vertical	14.75"
1014445	Crank Handle, Vertical	15"
1014446	Crank Handle, Horizontal	15"
SAFXA-V-90-10	Crank Handle, Mark V, Vertical	17"
JSTC10592.4	Crank Handle, Vertical	17.75"
SAFXA-V-90-12	Crank Handle, Mark V, Vertical	21"
1014440	Crank Handle, Vertical	21"
JSTB10261	Crank Handle Holder, 1" Wide	2.75"
SAFXB-LG0089	Crank Handle Holder, Wire	6.3"
SAF506180000	Crank Handle Holder, 1.5" Wide	4"



JSTB10261



SAFXB-LG0089



SAF506180000

Gear Boxes

Part Number	Description	Shaft Length	Material	Image
SAF741805	Gearbox Hopper	3"	Cast Iron	A
SAF742119	Gearbox Hopper Timp	22.6"	Steel	B



A



B

Adjustable Braces

Part Number	Description	Size	Packaging	Mount Type
1012589	Adjustable Brace for Square Leg Landing Gear	26"-41"	2 Piece	Bolt-On
1012590	Adjustable Brace, Standard Duty	42"-57"	2 Piece	Bolt-On
1012591	Adjustable Brace, Extra Heavy Duty	26"-41"	2 Piece	Bolt-On
1012597	Adjustable Brace	26"-41"	1 Piece	Bolt-On
1190656	Adjustable Brace for Square Leg Landing Gear	56"-72"	2 Piece	Bolt-On



1012589



1012597

Brace Lugs

Part Number	Description	Size	Packaging	Mount Type
1011247	Plate Brace Lug	4-1/2"x13"	1 Piece	Weld-On
1011248	Mounting Bracket Brace Lug	3"x8"	1 Piece	Weld-On
1011249	Brace Lug	3"x9-1/2"	1 Piece	K-Brace
1013566	Brace Lug, 2-Hole 90 Deg.	2-1/4"x3-1/4"	1 Piece	Weld/Bolt-On
JSTC10108	Brace Lug w/ Bracket, 2 Hole Round Corner W-Shape	7-3/4"x2"	1 Piece	Weld-On
J4890	Brace Lug, Square Leg 2 Hole W-Shape	4-1/4"x4-1/4"	1 Piece	Bolt-On



1013566



J4890

Feet

Part Number	Description	Size	Mount Type	Image
1011221	Fleetcraft Sand Shoe Axle w/ End Cap, Schedule 40	8-1/2" Length	Bolt On	A
1011223	Fleetcraft Sand Shoe Axle w/ End Cap, Schedule 80	8-1/4" Length	Bolt On	B
1011225	Fleetcraft Sand Shoe, Single Gusset, Flared Hole	4.5"x10"x10"	Bolt On	C
1011310	Fleetcraft Sand Shoe w/ Patch, Low Profile, No Gusset	2.5"x10"x10"	Bolt On	D
JSTC11188	Jost Removable Cushion Foot, Bolted	10"x10"	Bolt On	E
JSTC10717P42	Jost Cushion Foot Service Kit, Weld On	10"x10"	Weld On	F
SAFLG0048-01	SAF Holland Cushion Foot Kit	10"x10"	Bolt On	G



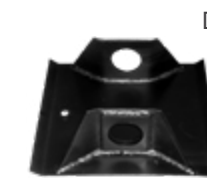
A



B



C



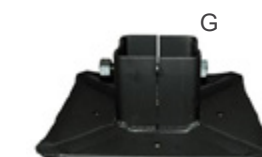
D



E



F



G



Cross Shafts

Part Number	Description	Overall Length	Packaging
1011235	Cross Shaft, Outside Mt., Slotted Ends	68"	1 Piece
1011235-56.5	Cross Shaft, Inside Mt., Slotted Ends	56.5"	1 Piece
9260-3	Cross Shaft, Adjustable, Slotted Ends	53"-72"	3 Piece
SAFLG0094-6150	Cross Shaft, Slotted Ends	61.5"	1 Piece
SAFLG0094-6450	Cross Shaft, Slotted Ends	64.5"	1 Piece
SAFLG0094-8050	Cross Shaft, Slotted Ends	80.5"	1 Piece



1011235



9260-3



SAFLG0094-6450

Wing Plates

Part Number	Description	Size
4-A1-223	Mounting Bracket, Trailmobile	50-1/2"x11-1/2"
4-A1-224L	Mounting Bracket, Roadside, Trailmobile	50-1/2"x11-1/2"
4-A1-224R	Mounting Bracket, Curbside, Trailmobile	50-1/2"x11-1/2"
UTL03-1103-0077	Utility Bracket, Roadside, Weld On	48-1/2"x23"
UTL03-1103-0078	Utility Bracket, Curbside, Weld On	48-1/2"x23"
UTL03-1103-0123	Utility Bracket, Roadside Doubler, Weld On, 8 Holes	13-3/4"x8-7/8"
UTL03-1103-0124	Utility Bracket, Curbside Doubler, Weld On, 8 Holes	13-3/4"x8-7/8"



4-A1-224L



UTL03-1103-0077



UTL03-1103-0124

MAKE IT A KIT!

With Fleetcraft Landing Gear Sets, Kits, Gearside and Nongear Legs:

- Put a **'K'** on the end of the part number to get the Gearside and Nongear landing along with a crank handle, brace ears, and cross shaft. **Ex: 1013912K**
- Put **NOTHING** on the end to get just the Gearside and Nongear Legs - Legs Only. **Ex: 1013912**
- For a Gearside Leg, put a **'-2'** on the end of the part number. **Ex: 1013912-2**
- For a Nongear Leg, put a **'-1'** on the end of the part number. **Ex: 1013912-1**



With Jost Landing Gear Sets, Kits, Gearside and Nongear Legs:

- Put a **'K'** on the end of the part number to get the Gearside and Nongear landing along with a crank handle, brace ears, and cross shaft. **Ex: A400-T-17K**
- Put an **'S'** on the end to get just the Gearside and Nongear Legs - Legs Only. **Ex: A400-T-17S**
- For a Gearside Leg, put a **'RH'** on the end of the part number. **Ex: A400-T-17RH**
- For a Nongear Leg, put a **'LH'** on the end of the part number. **Ex: LG4001-71LH**



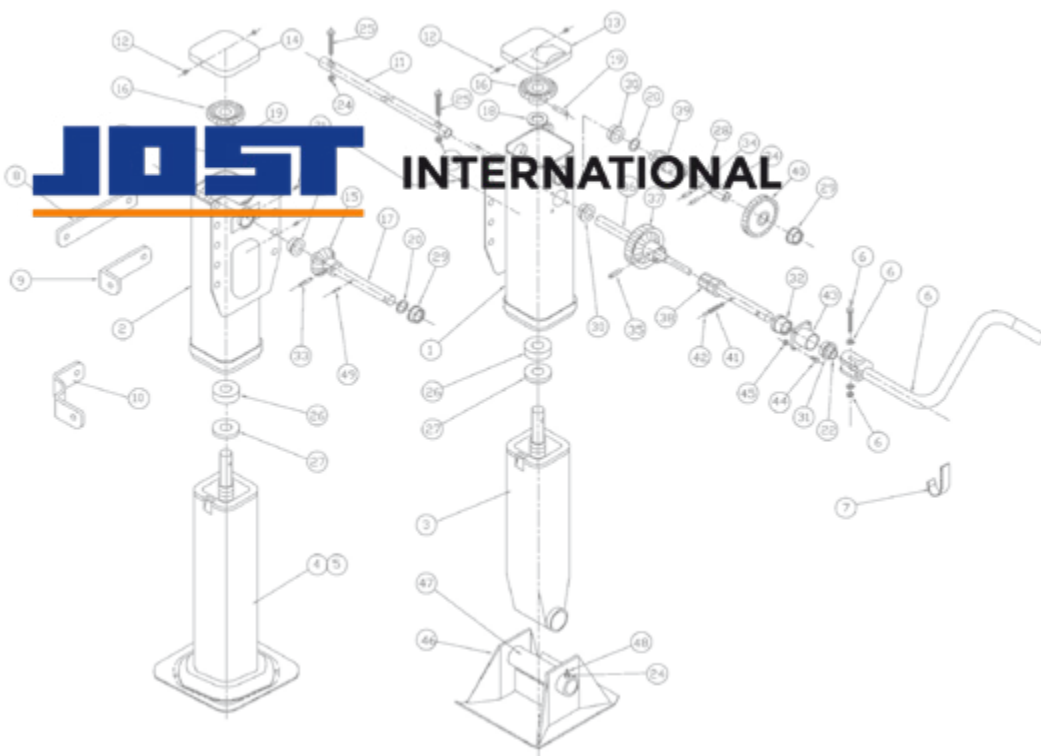
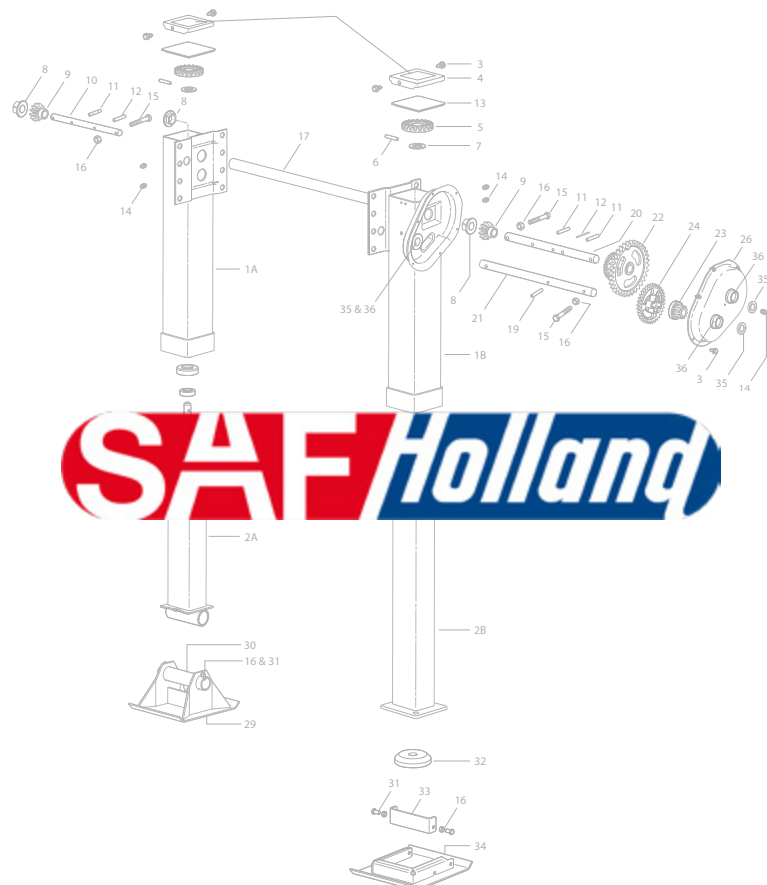
With SAF-Holland Landing Gear Sets, Kits, Gearside and Nongear Legs:

- Put a **'K'** on the end of the part number to get the Gearside and Nongear landing along with a crank handle, brace ears, and cross shaft. **Ex: LG4001-70K**
- Put a **'S'** on the end to get just the Gearside and Nongear Legs - Legs Only. **Ex: LG4001-70S**
- For a Nongear Atlas 55 or 65, put a **'1'** on the end of the part number. **Ex: LG4001-72**
- For a Gearside Atlas 55 or 65, put a **'2'** on the end of the part number. **Ex: LG4001-71**
- For a Gearside Mark V, put a prefix of **'XA-S8'** on the part number. **Ex: XA-S8-1A105**
- For a Nongear Mark V, put a prefix of **'XA-S9'** on the part number. **Ex: XA-S9-1A105**



If you would like a different crank handle than what comes in the kit, many landing gear sets have that option.

These Landing Gear have different leg travels and load capacities. This is a listing to let you know what we have in choices of Landing Gear. All of these Landing Gear have more part numbers than the ones listed here, changing the footwear, travel, or capacity. As your Landing Gear Headquarters, we add new legs all the time!



2 Shaft



ALL Fleetcraft Models Have:
8-Hole Bolt Pattern, TTMA Mounting, 16.87" Travel, Constant Mesh Gearbox Design.

Part Number	Description	Shoe Size	Shoe Style
1013912K	Kit, Universal Mt.	4.5"x10"x10"	Sandshoe
1013912	Universal Mt., No Hardware	4.5"x10"x10"	Sandshoe
1013912-1	Non Gear Box, 1 Speed	4.5"x10"x10"	Sandshoe
1013912-2	Gear Box, 2 Speed	4.5"x10"x10"	Sandshoe
1013916K	Kit, Universal Mt.	10"x10"	Cushion Foot
1013932K	Kit, Universal Mt.	2.5"x10"x10"	Sandshoe
1013932	Universal Mt., No Hardware	2.5"x10"x10"	Sandshoe
1013932-1	Non Gear Box, 1 Speed	2.5"x10"x10"	Sandshoe
1013932-2	Gear Box, 2 Speed	2.5"x10"x10"	Sandshoe



1013912-1

Capacities & Ratings

2 Shaft: The Original!
Lifting Capacity (Over 2 Legs) - 39,000 lbs
Ultimate Load Capacity (Over 2 Legs) - 140,000 lbs
Legs Bend or Break with Side Thrust - 27,000 lbs

3 Shaft

Part Number	Description	Shoe Size	Shoe Style
1013962K	Kit, Universal Mt.	4.5"x10"x10"	Sandshoe
1013962K12	Set, Universal Mt.	4.5"x10"x10"	Sandshoe
1013962	Universal Mt., No Hardware	4.5"x10"x10"	Sandshoe
1013962-1	Non Gear Box, 1 Speed	4.5"x10"x10"	Sandshoe
1013962-2	Gear Box, 2 Speed	4.5"x10"x10"	Sandshoe
1013964K	Kit, Universal Mt.	2.5"x10"x10"	Sandshoe
1013964	Universal Mt., No Hardware	2.5"x10"x10"	Sandshoe
1013964-1	Non Gear Box, 1 Speed	2.5"x10"x10"	Sandshoe
1013964-2	Gear Box, 2 Speed	2.5"x10"x10"	Sandshoe



1013962

Capacities & Ratings

3 Shaft
Lifting Capacity (Over 2 Legs) - 55,000 lbs
Ultimate Load Capacity (Over 2 Legs) - 170,000 lbs
Legs Bend or Break with Side Thrust - 30,000 lbs

J-Model

Part Number	Description	Shoe Size	Shoe Style
1013992K	Kit, Outside Mt.	4.5"x10"x10"	Sandshoe
1013992-1	Non Gear Box, Outside Mt.	4.5"x10"x10"	Sandshoe
1013992-2	Gear Box, Outside Mt.	4.5"x10"x10"	Sandshoe
1013993	Outside Mt., No Hardware	10"x10"	Cushion Foot
1013994	Inside Mt., No Hardware	10"x10"	LP Cushion Foot
1013994K	Set, Inside Mt.	10"x10"	LP Cushion Foot
1013995K	Kit, Universal Mt.	4.5"x10"x10"	Sandshoe
1013995	Universal Mt., No Hardware	4.5"x10"x10"	Sandshoe
1013996	Outside Mt., 19" Travel	4.5"x10"x10"	Sandshoe



1013995

Capacities & Ratings

J-Model
Lifting Capacity - 50,000 lbs
Static Load Capacity - 160,000 lbs
Side Load Capacity - 29,000 lbs
Gear Ratio:
Low Gear... 32 Turns = 1"
High Gear... 3.5 Turns = 1"



Inside Mounts

Part Number	OE Jost Number	Description	Travel	Shoe Size	Shoe Style
JSTA401.G3.17	A401.G3.17	Set, Inside Mt.	17"	10"x10"	Cushion Foot
JSTA401L.G3.17	A401L.G3.17	Left-Hand, Inside Mt.	17"	10"x10"	Lo-Pro Cushion Foot
JSTA401R.G3.17	A401R.G3.17	Right-Hand, Inside Mt.	17"	10"x10"	Lo-Pro Cushion Foot
JSTA401.G.17	A401.G.17	Set, Inside Mt., No Hardware	17"	10"x10"	Cushion Foot
JSTA401L.G.17	A401.G.17	Left-Hand, Inside Mt.	17"	10"x10"	Cushion Foot
JSTA401R.G.17	A401.G.17	Right-Hand, Inside Mt.	17"	10"x10"	Cushion Foot
JSTA401.T.17	A401.T.17	Set, Inside Mt., No Hardware	17"	10"x10"	Sandshoe
JSTA401L.T.17	A401L.T.17	Left-Hand, Inside Mt.	17"	10"x10"	Sandshoe
JSTA401R.T.17	A401R.T.17	Right-Hand, Inside Mt.	17"	10"x10"	Sandshoe
JSTA401.G3.19	A401.G3.19	Set, Inside Mt., Less Hardware	19"	10"x10"	Lo-Pro Cushion Foot
JSTA401L.G3.19	A401L.G3.19	Left-Hand, Inside Mt.	19"	10"x10"	Lo-Pro Cushion Foot
JSTA401R.G3.19	A401R.G3.19	Right-Hand, Inside Mt.	19"	10"x10"	Lo-Pro Cushion Foot
JSTA401.T1.17	A401.T1.17	Set, Inside Mt., No Hardware	17"	10"x10"	Lo-Pro Sandshoe
JSTA401L.T1.17	A401L.T1.17	Left-Hand, Inside Mt.	17"	10"x10"	Lo-Pro Sandshoe
JSTA401R.T1.17	A401R.T1.17	Right-Hand, Inside Mt.	17"	10"x10"	Lo-Pro Sandshoe
JSTA431L.G3.V01	A431L.G3.17.38	Left-Hand, Inside Mt., Heavy Duty	17"	10"x10"	Lo-Pro Cushion Foot
JSTA431R.G3.V01	A431R.G3.17.38	Right-Hand, Inside Mt., Heavy Duty	17"	10"x10"	Lo-Pro Cushion Foot
JSTA441L.G3.V01	A441L.G3.17.08	Left-Hand, Inside Mt., Heavy Duty	17"	10"x10"	Lo-Pro Cushion Foot
JSTA441R.G3.V01	A441R.G3.17.08	Right-Hand, Inside Mt., Heavy Duty	17"	10"x10"	Lo-Pro Cushion Foot
JSTA451L.G3.V01	A451L.G3.17.38	Left-Hand, Inside Mt., Removable Foot	17"	10"x10"	Lo-Pro Cushion Foot
JSTA451R.G3.V01	A451R.G3.17.38	Right-Hand, Inside Mt., Removable Foot	17"	10"x10"	Lo-Pro Cushion Foot

Capacities & Ratings

A400

Max. Static Load - 160,000 lbs
 Rated Lift - 55,000 lbs
 Side Load - 29,000 lbs

Gear Ratio:

Low Gear: 32 Turns/Inch
 High Gear: 3.5 Turns/Inch

L300

Max. Static Load - 140,000 lbs
 Rated Lift - 50,000 lbs
 Side Load - 26,000 lbs

Gear Ratio:

Low Gear: 32 Turns/Inch
 High Gear: 3.5 Turns/Inch

A440

Max. Static Load - 170,000 lbs
 Rated Lift - 62,500 lbs
 Side Load - 33,000 lbs

Gear Ratio:

Low Gear: 32 Turns/Inch
 High Gear: 3.5 Turns/Inch



JSTA401.G3.17



JSTA401.T.17

JOST INTERNATIONAL



Outside Mounts

Part Number	OE Jost Number	Description	Travel	Shoe Size	Shoe Style
JSTL300.T.17	L300.T.17	Set, Outside Mt.	17"	10"x10"	Sandshoe
JSTL300.T1.17	L300.T1.17	Set, Outside Mt.	17"	10"x10"	Lo-Pro Sandshoe
JSTA400.T.17	A400.T.17	Set, Outside Mt.	17"	10"x10"	Sandshoe
JSTA400L.T.17	A400L.T.17	Left-Hand, Outside Mt.	17"	10"x10"	Sandshoe
JSTA400R.T.17	A400R.T.17	Right-Hand, Outside Mt.	17"	10"x10"	Sandshoe
JSTA400L.T18.17	A400L.T18.17.SPC	Left-Hand, Outside Mt.	17"	10"x10"	SS w/ Solid Axle
JSTA400R.T18.17	A400R.T18.17.SPC	Right-Hand, Outside Mt.	17"	10"x10"	SS w/ Solid Axle
JSTA400.G3.17	A400.G3.17	Set, Outside Mt.	17"	10"x10"	Lo-Pro Cushion Foot
JSTA400L.G3.17	A400L.G3.17	Left-Hand, Outside Mt.	17"	10"x10"	Lo-Pro Cushion Foot
JSTA400R.G3.17	A400R.G3.17	Right-Hand, Outside Mt.	17"	10"x10"	Lo-Pro Cushion Foot
JSTA400.T.19	A400.T.19	Set, Outside Mt.	19"	10"x10"	Sandshoe
JSTA400L.T.19	A400L.T.19	Left-Hand, Outside Mt.	19"	10"x10"	Sandshoe
JSTA400R.T.19	A400R.T.19	Right-Hand, Outside Mt.	19"	10"x10"	Sandshoe
JSTA400L.T18.19	A400L.T18.19.SPC	Left-Hand, Outside Mt.	19"	10"x10"	SS w/ Solid Axle
JSTA400R.T18.19	A400R.T18.19.SPC	Right-Hand, Outside Mt.	19"	10"x10"	SS w/ Solid Axle
JSTA400.G.19	A400.G.19	Set, Outside Mt.	19"	10"x10"	Cushion Foot
JSTA400L.G.19	A400L.G.19	Left-Hand, Outside Mt.	19"	10"x10"	Cushion Foot
JSTA400R.G.19	A400R.G.19	Right-Hand, Outside Mt.	19"	10"x10"	Cushion Foot
JSTA400.G3.19	A400.G3.19	Set, Outside Mt., No Hardware	19"	10"x10"	Lo-Pro Cushion Foot
JSTA400L.G3.19	A400L.G3.19	Left-Hand, Outside Mt.	19"	10"x10"	Lo-Pro Cushion Foot
JSTA400R.G3.19	A400R.G3.19	Right-Hand, Outside Mt.	19"	10"x10"	Lo-Pro Cushion Foot
JSTA400R.T.17.02	A400R.T.17.02	Right-Hand Bracketless	17"	10"x10"	Sandshoe
JSTA400L.T.17.02	A400L.T.17.02	Left-Hand Bracketless	17"	10"x10"	Sandshoe



JSTA400R.G3.19



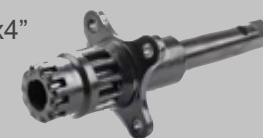
A400R.T18.17.SPC

Travel	Shoe Style					
	T, T2, G, G1		T1, T3		G3, G8	
	Extended	Retracted	Extended	Retracted	Extended	Retracted
14	42-5/8"	28-5/8"	40-1/8"	26-1/8"	39-3/4"	25-3/4"
17	48-5/8"	31-5/8"	46-1/8"	29-1/8"	45-3/4"	28-3/4"
19	52-5/8"	33-5/8"	50-1/8"	31-1/8"	49-3/4"	30-3/4"

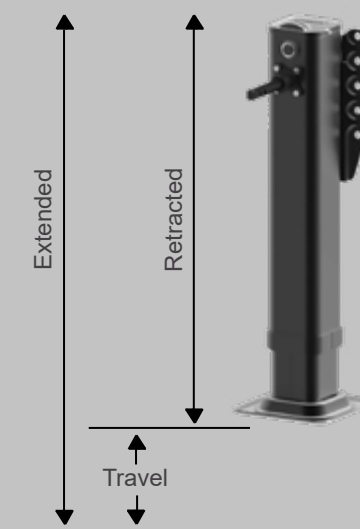
Shaft Assembly Kit

JSTB10285

Size: 10"x4"x4"
 Universal



Travel Dimensions:





Atlas 55

Part Number	Description	Travel	Shoe Size	Shoe Style
SAFLG4001-70K	Kit, Universal Mount	17"	4.5"x10"x10"	Sandshoe
SAFLG4001-70S	Set, Universal Mount	17"	4.5"x10"x10"	Sandshoe
SAFLG4001-71	Left-Hand, Universal Mount	17"	4.5"x10"x10"	Sandshoe
SAFLG4001-72	Right-Hand, Universal Mount	17"	4.5"x10"x10"	Sandshoe
SAFLG4003-70K	Kit, Universal Mount	17"	2"x10"x10"	Sandshoe
SAFLG4003-70S	Set, Universal Mount	17"	2"x10"x10"	Sandshoe
SAFLG4003-71	Left-Hand, Universal Mount	17"	2"x10"x10"	Sandshoe
SAFLG4003-72	Right-Hand, Universal Mount	17"	2"x10"x10"	Sandshoe
SAFLG4001-90K	Kit, Universal Mount	19"	4.5"x10"x10"	Sandshoe
SAFLG4001-90S	Set, Universal Mount	19"	4.5"x10"x10"	Sandshoe
SAFLG4001-91	Left-Hand, Universal Mount	19"	4.5"x10"x10"	Sandshoe
SAFLG4001-92	Right-Hand, Universal Mount	19"	4.5"x10"x10"	Sandshoe
SAFLG400B-505S	Set, Universal Mount	15.5"	10"x10"	R.C.F.
SAFLG400B-515	Left-Hand, Universal Mount	15.5"	10"x10"	R.C.F.
SAFLG400B-525	Right-Hand, Universal Mount	15.5"	10"x10"	R.C.F.
SAFLG400B-70K	Kit, Universal Mount	17"	10"x10"	R.C.F.
SAFLG400B-70S	Set, Universal Mount	17"	10"x10"	R.C.F.
SAFLG400B-71	Left-Hand, Universal Mount	17"	10"x10"	R.C.F.
SAFLG400B-72	Right-Hand, Universal Mount	17"	10"x10"	R.C.F.
SAFLG400B-705K	Kit, Universal Mount	17"	10"x10"	R.C.F.
SAFLG400B-705S	Set, Universal Mount	17"	10"x10"	R.C.F.
SAFLG400B-715	Left-Hand, Universal Mount	17"	10"x10"	R.C.F.
SAFLG400B-725	Right-Hand, Universal Mount	17"	10"x10"	R.C.F.
SAFLG419B715SHH	Left-Hand, Conventional Mount	17"	10"x10"	R.C.F.
SAFLG419B725SHH	Right-Hand, Conventional Mount	17"	10"x10"	R.C.F.



SAFLG4003-70S



SAFLG4001-90S

Capacities & Ratings

Atlas 55

Lift Capacity - 55,000 lbs
 Ultimate Load - 170,000 lbs
 Side Load - 30,000 lbs
Gear Ratio:
 Low Gear: 38.7 Turns/Inch
 High Gear: 4.5 Turns/Inch

Atlas 65

Lift Capacity - 65,000 lbs
 Ultimate Load - 170,000 lbs
 Side Load - 34,000 lbs
Gear Ratio:
 Low Gear: 38.6 Turns/Inch
 High Gear: 4.5 Turns/Inch

Mark V

Lift Capacity - 62,500 lbs
 Ultimate Load - 200,000 lbs
 Side Load - 32,000 lbs
Gear Ratio:
 Low Gear: 33.8 Turns/Inch
 High Gear: 2.5 Turns/Inch



Atlas 65

Part Number	Description	Travel	Shoe Size	Shoe Style
SAFLG6501-70K	Kit, Universal Mount	17"	4.5"x10"x10"	Sandshoe
SAFLG6501-70S	Set, Universal Mount	17"	4.5"x10"x10"	Sandshoe
SAFLG6501-71	Left-Hand, Universal Mount	17"	4.5"x10"x10"	Sandshoe
SAFLG6501-72	Right-Hand, Universal Mount	17"	4.5"x10"x10"	Sandshoe
SAFLG6503-70K	Kit, Universal Mount	17"	2"x10"x10"	Sandshoe
SAFLG6503-70S	Set, Universal Mount	17"	2"x10"x10"	Sandshoe
SAFLG6503-71	Left-Hand, Universal Mount	17"	2"x10"x10"	Sandshoe
SAFLG6503-72	Right-Hand, Universal Mount	17"	2"x10"x10"	Sandshoe
SAFLG6501-90K	Kit, Universal Mount	19"	4.5"x10"x10"	Sandshoe
SAFLG6501-90S	Set, Universal Mount	19"	4.5"x10"x10"	Sandshoe
SAFLG6501-91	Left-Hand, Universal Mount	19"	4.5"x10"x10"	Sandshoe
SAFLG6501-92	Right-Hand, Universal Mount	19"	4.5"x10"x10"	Sandshoe
SAFLG650B-70K	Kit, Universal Mount	17"	10"x10"	R.C.F.
SAFLG650B-70S	Set, Universal Mount	17"	10"x10"	R.C.F.
SAFLG650B-71	Left-Hand, Universal Mount	17"	10"x10"	R.C.F.
SAFLG650B-72	Right-Hand, Universal Mount	17"	10"x10"	R.C.F.



SAFLG6503-72



SAFLG6501-71

Mark V

Part Number	Description	Travel	Shoe Size	Shoe Style
SAFLGS-3A105K	Kit, Universal Mount, Standard Axle	16.5"	4.9"x12"x11.5"	Sandshoe
SAFLGS-3A105S	Set, Universal Mount	16.5"	4.9"x12"x11.5"	Sandshoe
SAFXA-S9-3A105	Left-Hand, Universal Mount	16.5"	4.9"x12"x11.5"	Sandshoe
SAFXA-S8-3A105	Right-Hand, Universal Mount	16.5"	4.9"x12"x11.5"	Sandshoe
SAFLGS-4A105K	Kit, Universal Mount	17.6"	4.9"x12"x11.5"	Sandshoe
SAFLGS-4A105S	Set, Universal Mount	17.6"	4.9"x12"x11.5"	Sandshoe
SAFXA-S9-4A105	Left-Hand, Universal Mount	17.6"	4.9"x12"x11.5"	Sandshoe
SAFXA-S8-4A105	Right-Hand, Universal Mount	17.6"	4.9"x12"x11.5"	Sandshoe
SAFLGS-5A105K	Kit, Universal Mount	18.7"	4.9"x12"x11.5"	Sandshoe
SAFLGS-5A105S	Set, Universal Mount	18.7"	4.9"x12"x11.5"	Sandshoe
SAFXA-S9-5A105	Left-Hand, Universal Mount	18.7"	4.9"x12"x11.5"	Sandshoe
SAFXA-S8-5A105	Right-Hand, Universal Mount	18.7"	4.9"x12"x11.5"	Sandshoe
SAFLGS-3A001K	Kit, Universal Mount	16.5"	12" Diameter	Self-Leveler
SAFLGS-3A001S	Set, Universal Mount	16.5"	12" Diameter	Self-Leveler
SAFXA-S9-3A001	Left-Hand, Universal Mount	16.5"	12" Diameter	Self-Leveler
SAFXA-S8-3A001	Right-Hand, Universal Mount	16.5"	12" Diameter	Self-Leveler
SAFLGS-4A001K	Kit, Universal Mount	17.6"	12" Diameter	Self-Leveler
SAFLGS-4A001S	Set, Universal Mount	17.6"	12" Diameter	Self-Leveler
SAFXA-S9-4A001	Left-Hand, Universal Mount	17.6"	12" Diameter	Self-Leveler
SAFXA-S8-4A001	Right-Hand, Universal Mount	17.6"	12" Diameter	Self-Leveler



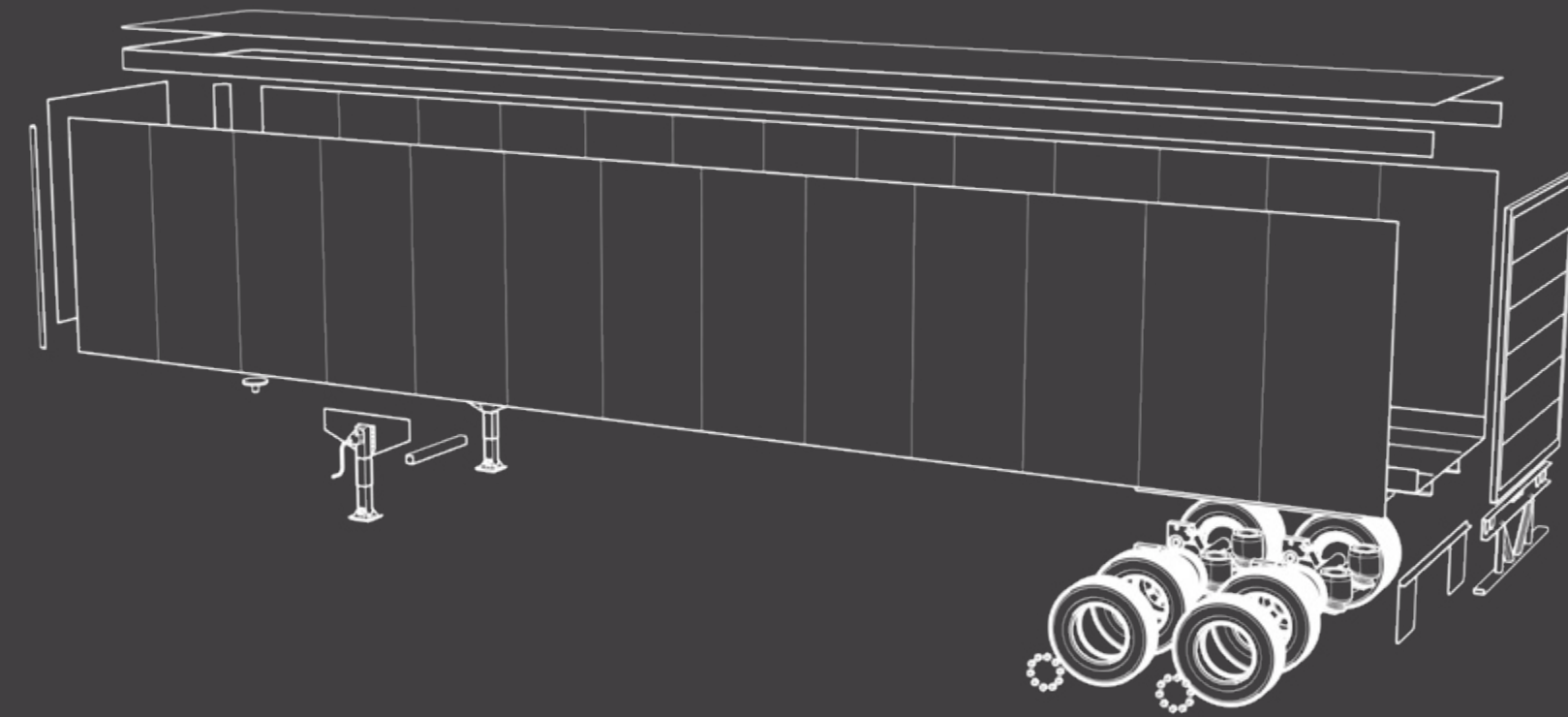
SAFXA-S9-5A105



SAFLGS-5A105K



ROAD EQUIPMENT PARTS CENTER



Doors



Swing Door Blanks

Premium exterior grade plywood cores with a variety of facings to meet your specifications.. Facings include pre-painted aluminum, mill finish aluminum, pre-painted steel, stainless steel and galvanized steel.

ABBREVIATIONS: PPW: Pre-painted White, **PPG:** Pre-painted Gray, **MFA:** Mill Finish Aluminum, **HDG:** Heavy Duty Galvanized



Part Number	Description	Material	Color	Finish	Thickness	Width	Height	PK QTY
1013877	Swing Door	Composite	White	PPW	.512"	49"	121"	1
1013878	Swing Door	Composite	White	PPW	.512"	49"	110.5"	1
1013883	Swing Door	Composite	White	PPW	13MM	49"	110.5"	1
1013886	Swing Door	Composite	Amazon Blue	--	.512"	49"	110.5"	1
1013874	Swing Door	Plymetal	White	MFA	.75"	48"	110.5"	1
1013885	Swing Door	Plymetal	White	MFA	.75"	48"	110.5"	25
1013870	Swing Door	Plymetal	White	MFA	.75"	48"	120"	1
1013887	Swing Door	Plymetal	White	MFA	.75"	48"	120"	25
ML5029-B	Swing Door-Mirror Finish	Plymetal	S.S.	--	.5"	48"	120"	1
WHTML5005	Swing Door	Plymetal	White	MFA	.5"	48"	120"	1
WHTML5011	Swing Door	Plymetal	White	HDG	.75"	48"	110.5"	1
WHTML5021	Swing Door	Plymetal	White	HDG	.75"	48"	120"	1
WHTML5060	Swing Door	Plymetal	White	HDG	.75"	48"	144"	1

Corner Tabs

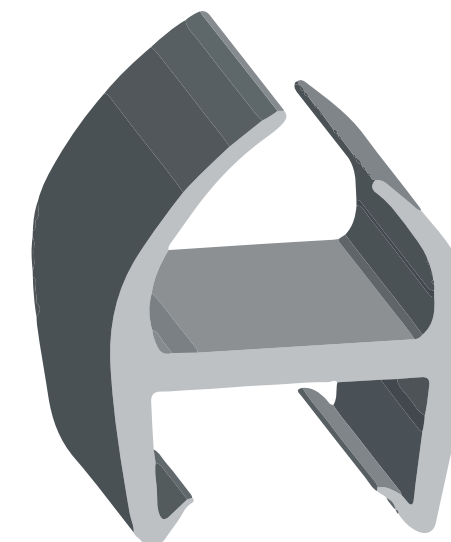
Part Number	Description
1013859	Corner Tab 7/8" - 100/PK
1013860	Corner Tab 1-1/4" Wide - 100/PK
1013862	Adhesive Corner Tab



1013859

Door Seal

Part Number	Description	Door Thickness	Material	Length
1014044	Door Seal	1"	Vinyl	14'
1014045	Door Seal	1-1/4"	Vinyl	14'
1013863	Door Seal	3/4"	Vinyl	14'
1013864	Door Seal	3/4"	Vinyl	14'
10MM-TS	Door Seal	10MM	Vinyl	14'
1013865	Door Seal	1/2"	Vinyl	14'



1013864

Vents

Part Number	Description
024-02591-NL	Vent Door 20" x 14.5" with Screen
024-03000	Vent Aluminum 10.5" x 12.15" - Adjustable
TRG69085	Vent Aluminum 10.5" x 12.15" - Adjustable



024-02591-NL



024-03000



Hinges

Part Number	Description	Material	Holes	Size	Style	Image
P108940A	Swing Door Hinge	Extruded Aluminum	(4) .41 dia	2-3/4" x 8-1/2"	Wabash	
022-00975	Swing Door Hinge	Extruded Aluminum	(4) .41 dia	2-3/4" x 9-1/2"	Wabash	
022-01407	Swing Door Hinge	Extruded Aluminum	(3) .41 dia	3" x 9.8"	Vanguard	
022-00407	Swing Door Hinge	Extruded Aluminum	(3) .41 dia	3-7/8" x 8-3/8"	Great Dane	
022-01081 / P108630A	Swing Door Hinge	Extruded Aluminum	(3) .41 dia	2.86" x 9.6"	Stoughton	
022-01184 / 1010176	Swing Door Hinge	Extruded Aluminum	(3) .41 dia	3" x 9.55"	Utility / Strick	
022-01013	Swing Door Hinge	Extruded Aluminum	(4) .41 dia	2-3/4" x 9.69"	Universal	
1402-2003	Swing Door Hinge	Galv. Steel	(5) .41 dia	4" x 9-1/2"	Universal	
P108640A	Swing Door Hinge	Extruded Aluminum	(4) .41 dia	2-3/4" x 9-1/2"	Dorsey	
1402-7523	Swing Door Hinge	Extruded Aluminum	(4) .41 dia	2-3/4" x 8-11/16"	Universal	

Hinge Butts

Part Number	Description	Material	Length I.D.	Height to Center	Style	Hinges	Image
HB-1156-6	Hinge Butt - Notched	Zinc Plated Steel	4.25"	1.38"	--	023-00559	
HB-1156-6-P	Hinge Butt	Steel	4.25"	1.38"	--	023-00559	
023-00639	Hinge Butt	Zinc Plated Steel	4.25"	1.12"	Miller	022-00030	
023-00645	Hinge Butt - Notched	Zinc Plated Steel	4.25"	1.12"	Kentucky	022-00614	
023-00660	Hinge Butt	Steel	2.88"	2.13"	Dorsey	--	
023-00662	Hinge Butt - Notched	Steel	2.88"	1.75"	Dorsey	022-00888 / 022-08089	
023-00669	Hinge Butt - Notched	Steel	3.00"	1.38"	Wabash	022-00975 / 022-01047 / 022-01105 / 022-01182	
022-01001	Hinge Butt	Steel	3.13"	1"	--	--	
P1169061A	Hinge Butt - Bolt-on	Aluminum	2.75"	1.38"	--	P1086 / P111440 / P1089 / P10954	
WCF003981-001	Hinge Butt - Notched	Steel	4.06"	1.18"	Fruehauf	--	
700-515-149	Hinge Butt - .38 Dia Hole	Steel	3.19" Wide	1.5" Tall	Great Dane	--	



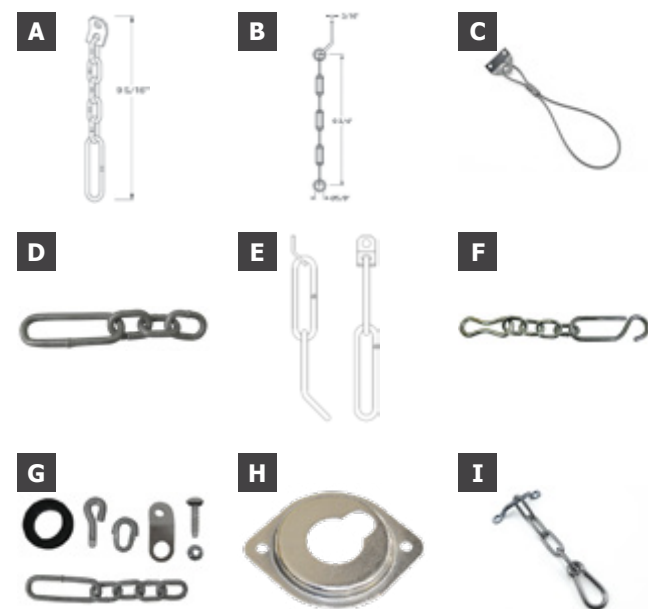
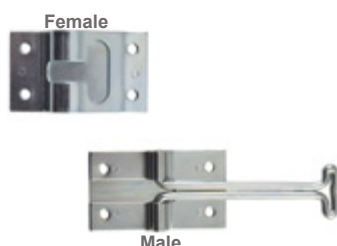
Hinge Pins

Part Number	Description	Material	Length	Dia.	Image
1153668	Hinge Pin	Zinc Plated Steel	4-1/8"	1/2"	
1153666	Hinge Pin	Zinc Plated Steel	5-1/4"	1/2"	
997-98015	Hinge Pin	Zinc Plated Steel	5"	3/8"	
997-98016	Hinge Pin	Zinc Plated Steel	4-1/4"	5/8"	
997-98019	Hinge Pin - Utility Style	Zinc Plated Steel	4.45"	5/8"	

Hold Backs

T-Slot Holdback Kits		
Part Number	Description	Length
1037901-4-25	Holdback - T-Slot Kit	4"
022-01022	Holdback - T-Slot Kit	4"
1037901-6-25	Holdback - T-Slot Kit	6"
1037901-F	Holdback - Female T-Slot	--

Chain & Cable Holdbacks		
Part Number	Description	Image
1310600	Door Holdback Latch Assembly	A
1310603	Holdback Bracket Chain Assembly	B
022-00487	Holdback Fruehauf Cable	C
021-00051	Holdback Assy Chain & Snap	I
GTMGT-1317	4IN Holdback 3 Small Links	D
HYU10029642	Holdback Chain H06-019-2 with RE	E
WAB06302201	Door Holdback Chain Assembly	F
WAB06300270	Wabash Door Holdback	G
WAB06301614	Holdback Trustlock	H

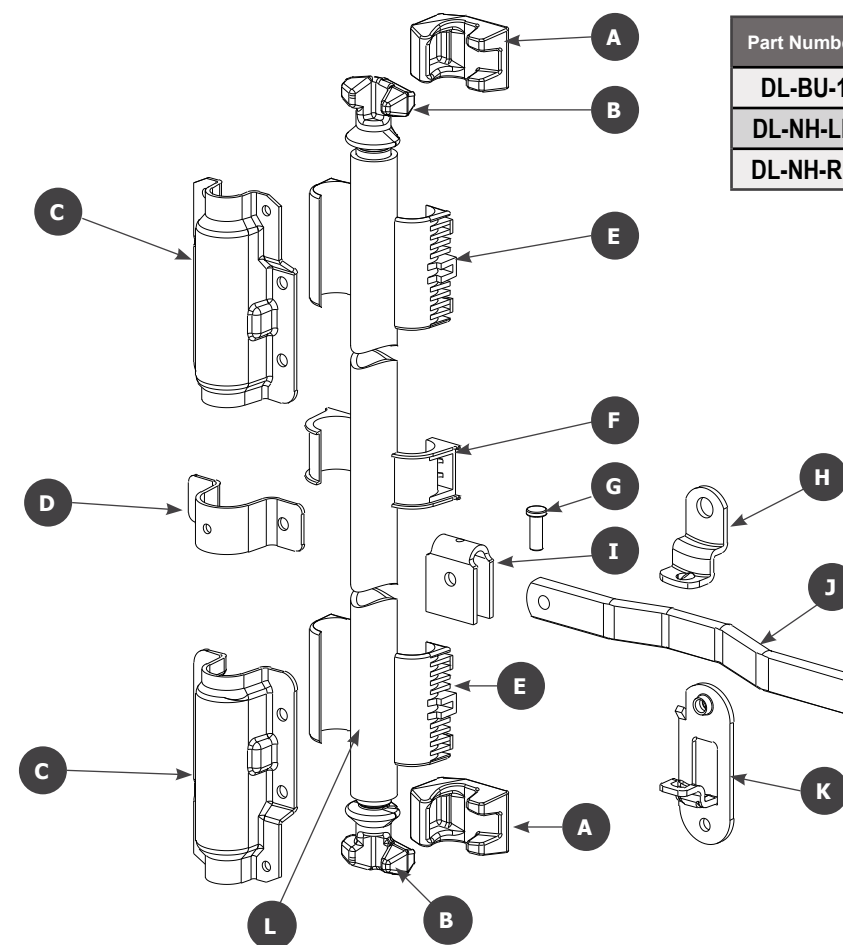


Spring Loaded Holdback	
Part Number	Description
1037902	Door Holdback Spring Loaded



Lock Rods

Part Number	Description
DL-BU-1	Lock Rod Assembly - No Rod
DL-NH-LH	Lock Rod Assembly
DL-NH-RH	Lock Rod Assembly



DL-NH-LH		
Item	Part Number	Description
A	1064	Keeper
B	4141	Cam - Upper
B	4044	Cam - Lower
C	4207	Guide Plate
D	4005	Lock Rod Guide
E	4042PR	Bearing Guide Plate
F	4006PR	Half Bearing Rod Guide
G	4049	Lock Handle Rivet
H	4012	Seal Pin
I	4208	Handle Mount
J	4090	Handle
K	4042PR	Seal Plate
L	1039113	Lock Rod - 1" X 120" GALV

DL-NH-LH		
Item	Part Number	Description
A	1064	Keeper
B	4141	Cam - Upper
B	4044	Cam - Lower
C	4207	Guide Plate
D	4005	Lock Rod Guide
E	4042PR	Bearing Guide Plate
F	4006PR	Half Bearing Rod Guide
G	4049	Lock Handle Rivet
H	4012	Seal Pin
I	4208	Handle Mount
J	4090	Handle
K	4042PR	Seal Plate
L	1039113	Lock Rod - 1" X 120" GALV

Swing Door | Pins & Hold Backs

Swing Door | Lock Rods



FLEETCRAFT Roll-Up Door

- The Fleetcraft Top Seal is made of aluminum and therefore won't leave rust streaks running down the face of the door.
- Medium Density Overlay(MDO) is primed during lamination creating a smoother finish and improved barrier against moisture. Get a longer lasting door panel!
- All doors are traceable by serial number.
- Professionally packed for protection during shipping. Hardware is neatly packed and heaved by weight to account for all necessary components.
- All panel routes and holes are machined by CNC for a complete consistent tight fit. CNC machined panels ensure rivets are installed in a tight straight line.
- Replacement door operator/counterbalance comes boxed to ensure damage free product.

GP Door Panel-Wood

1" Rollers, Tongue In Groove

Part No.	Thickness	Door Size	Bottom Panel	Middle Panels	Top Panel	*Track & Operator Kit
GP90X90WH	3/4"	90"W X 90"H	(1)15"H X 90"W	(4)15"H X 90"W	(1)15"H X 90"W	TRG49000-L
GP90X100WH	3/4"	90"W X 100"H	(1)15"H X 90"W	(5)15"H X 90"W	(1)10"H X 90"W	TRG49000-L
GP98X100WH	3/4"	98"W X 100"H	(1)15"H X 98"W	(5)15"H X 98"W	(1)10"H X 98"W	TRG49000-L
GP98X105WH	3/4"	98"W X 105"H	(1)15"H X 98"W	(5)15"H X 98"W	(1)15"H X 98"W	TRG49000-L
GP98X107WH	3/4"	98"W X 107"H	(1)15"H X 98"W	(5)15"H X 98"W	(1)17"H X 98"W	TRG49000-L

*Doors are kitted with all hardware (hinges, rollers, lock & keeper), less cables, track, operator, and side seals.
*Track and Operator Kits Consist of: Horizontal & Vertical Track with Operator. The kit does NOT include side seals.

GP Door Panel-Wood

2" Rollers, Tongue In Groove

Part No.	Thickness	Door Size	Bottom Panel	Middle Panels	Top Panel	*Track & Operator Kit
GW90X90WH	3/4"	90"W X 90"H	(4)15.5"H X 90"W	(1)11.5"H X 90"W	(1)17"H X 90"W	TRG49020
GW98X107WH	3/4"	98"W X 107"H	(1)15.5"H X 98"W	(5)15.5"H X 98"W	(1)15"H X 98"W	TRG49020

*Doors are kitted with all hardware (hinges, rollers, lock & keeper), less cables, track, operator, and side seals.
*Track and Operator Kits Consist of: Horizontal & Vertical Track with Operator. The kit does NOT include side seals.



Transglobal Inc manufactures a variety of products for the transportation industry including dry-freight wood, 1/4" and 1/2" composite doors, refrigerated doors, replacement parts, ramp door spring systems and many other quality products.

Established in 2003, Transglobal brings over 50 years of roll-up door manufacturing experience for the OEM truck trailer, truck body and aftermarket transportation industry. A philosophy of quality products and unprecedented service is what makes Transglobal a valued and respected partner throughout the transportation industry.

The Transglobal TEAM remains dedicated to manufacturing the highest quality roll-up doors and parts to the transportation industry and looks forward to serving you. Give us a call today to be part of the "Transglobal Advantage".

1" & 2" Roller Door

	Part No.	Roller Size	Thick-ness	Door Size	*1" Track & Operator Kit	*2" Track & Operator Kit	Bottom Panel	Middle Panels	Top Panel
Composite	TRG90X90-HYBRID	1" & 2"	1/4"	90" X 90"	TRG49000	TRG49020	(1)15"H X 90"W	(4)15"H X 90"W	(1)15"H X 90"W
	TRG98X100HYBRID	1" & 2"	1/4"	98" X 100"	TRG49000	TRG49020	(1)15"H X 98"W	(1)10"H X 98"W, (4)15"H X 98"W	(1)15"H X 98"W
	TRG98X107HYBRID	1" & 2"	1/4"	98" X 107"	TRG49000	--	(1)15"H X 98"W	(5)15"H X 98"W	(1)17"H X 98"W
	TRG98X107X.5HYB	1" & 2"	1/2"	98" X 107"	--	TRG-49020COMP98S	(1)15"H X 98"W	(5)15"H X 98"W	(1)17"H X 98"W
Wood	TRG90X90-PPW	1"	3/4"	90" X 90"	TRG49000	--	(1)15"H X 90"W	(4)15"H X 90"W	(1)15"H X 90"W
	TRG90X90-WH-PPW	2"	3/4"	90" X 90"	--	TRG49020	(1)15"H X 90"W	(4)15"H X 90"W	(1)15"H X 90"W
	TRG98X100-PPW	1"	3/4"	98" X 100"	TRG49000	--	(1)15"H X 98"W	(1)10"H X 98"W, (4)15"H X 98"W	(1)15"H X 98"W
	TRG98X107-PPW	1"	3/4"	98" X 107"	TRG49000	--	(1)15"H X 98"W	(5)15"H X 98"W	(1)17"H X 98"W
	TRG98X107-WHPPW	2"	3/4"	98" X 107"	--	TRG49020	(1)15"H X 98"W	(5)15"H X 98"W	(1)17"H X 98"W

*Doors are kitted with all hardware (hinges, rollers, lock & keeper), less cables, track, operator, and side seals.
*Track and Operator Kits Consist of: Horizontal & Vertical Track with Operator. The kit does NOT include side seals.



1" - ROLLER DOOR HARDWARE

Transglobal Rollers

Part No.	Description
61174T	Roller 1" Steel
69162T	Roller Sealed 1" Steel
TG-61174	Door Roller Todco Style
TG-61175XHD	1" Heavy Duty Solid Roller



Transglobal Fixtures & Hinges

Part No.	Description	Image
1026123	Bottom Fixture Kit	
1026431	Top Fixture Kit	

Part No.	Description	Application	Image
TRG61196	Center Hinge	Dry Freight Door	
TG-69035	End Hinge	Dry Freight Door	

Transglobal Lock & Keepers

Part No.	Description
TRG69571	Lock
TRG69572	Keeper
1026128	Lift Handle
025-10403	Pull Strap



Transglobal Cable Drums

Part No.	Description
TRG62547-A213	Cable Drum Roadside
TRG62548-A213	Cable Drum Curbside



2" - ROLLER DOOR HARDWARE

Transglobal Rollers

Part No.	Description
WHT3228	Roller 2" Nylon
TRG3228	Door Roller 2" Nylon
70224T	Steel Roller 2" 3" Shaft
WH2996	2" STL Roller 3" Shaft
1190654	Door Roller Nylon 2"



Transglobal Fixtures & Hinges

Part No.	Description	Image
TRG1371A	Bottom Fixture Kit	
TRG6944	Top Fixture Kit	

Part No.	Description	Application	Image
TRG15	Center Hinge	Dry Freight Door	
TRG1209-A	End Hinge	Dry Freight Door	

Transglobal Lock & Keepers

Part No.	Description
TRG77	Lock
1027578	Keeper
1027715	Lift Handle
025-10403	Pull Strap

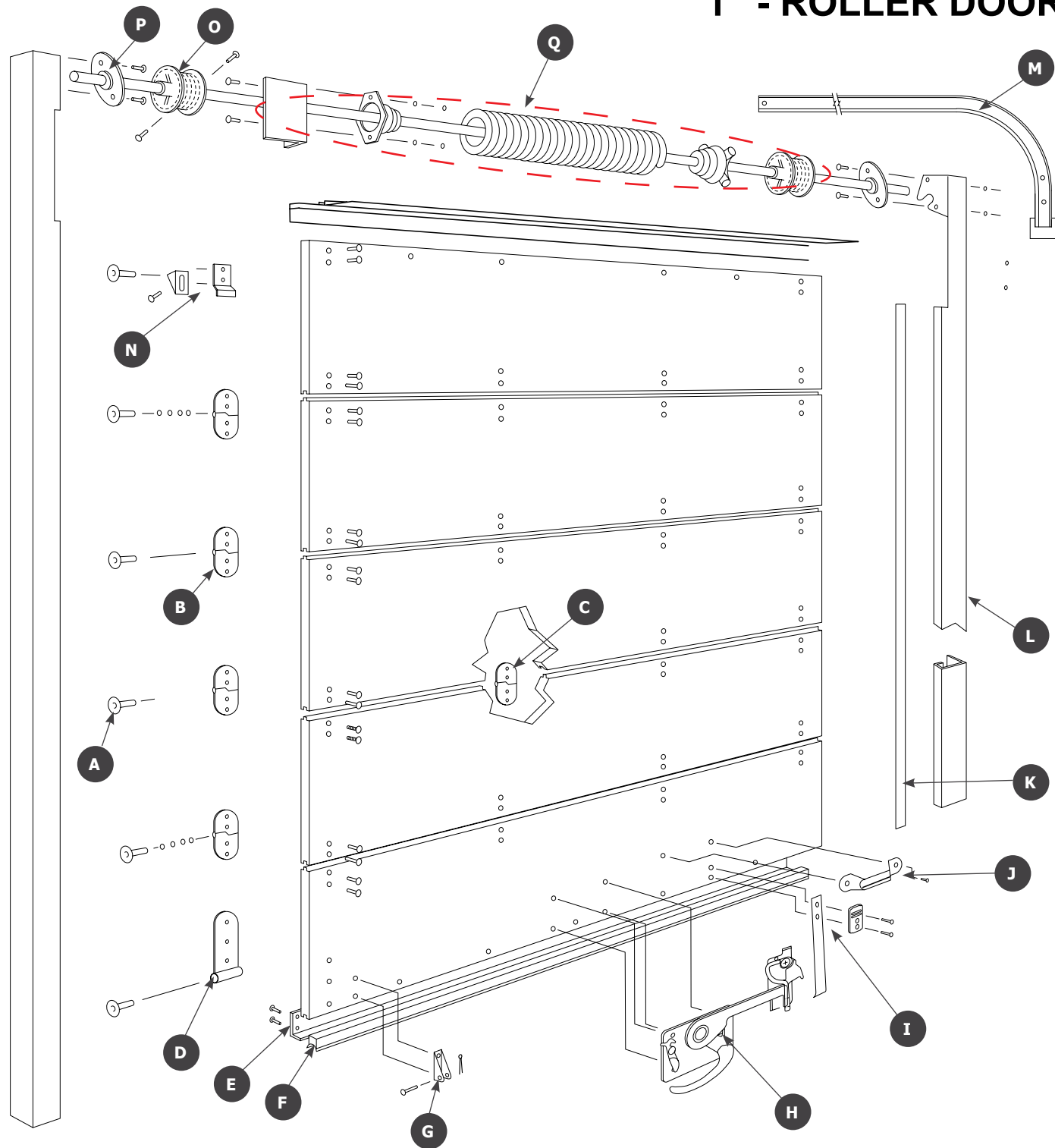


Roll-Up Doors | Transglobal 1" Door Hardware

Roll-Up Doors | Transglobal 2" Door Hardware



1" - ROLLER DOOR



Item	Description	Item	Description	Item	Description	Item	Description
A	1" Roller	F	Bottom Seal	K	Side Seal	P	Bearing & Bracket Assy
B	End Hinge	G	Cable Anchor Bracket	L	Vertical Track	Q	Counter Balance Assy
C	Center Hinge	H	Lock Assembly	M	Horizontal Track		
D	Bottom Fixture	I	Pull Strap Assembly	N	Top Fixture		
E	Bottom Angle	J	Lift Handle	O	Cable Drum		



1" Roller Door

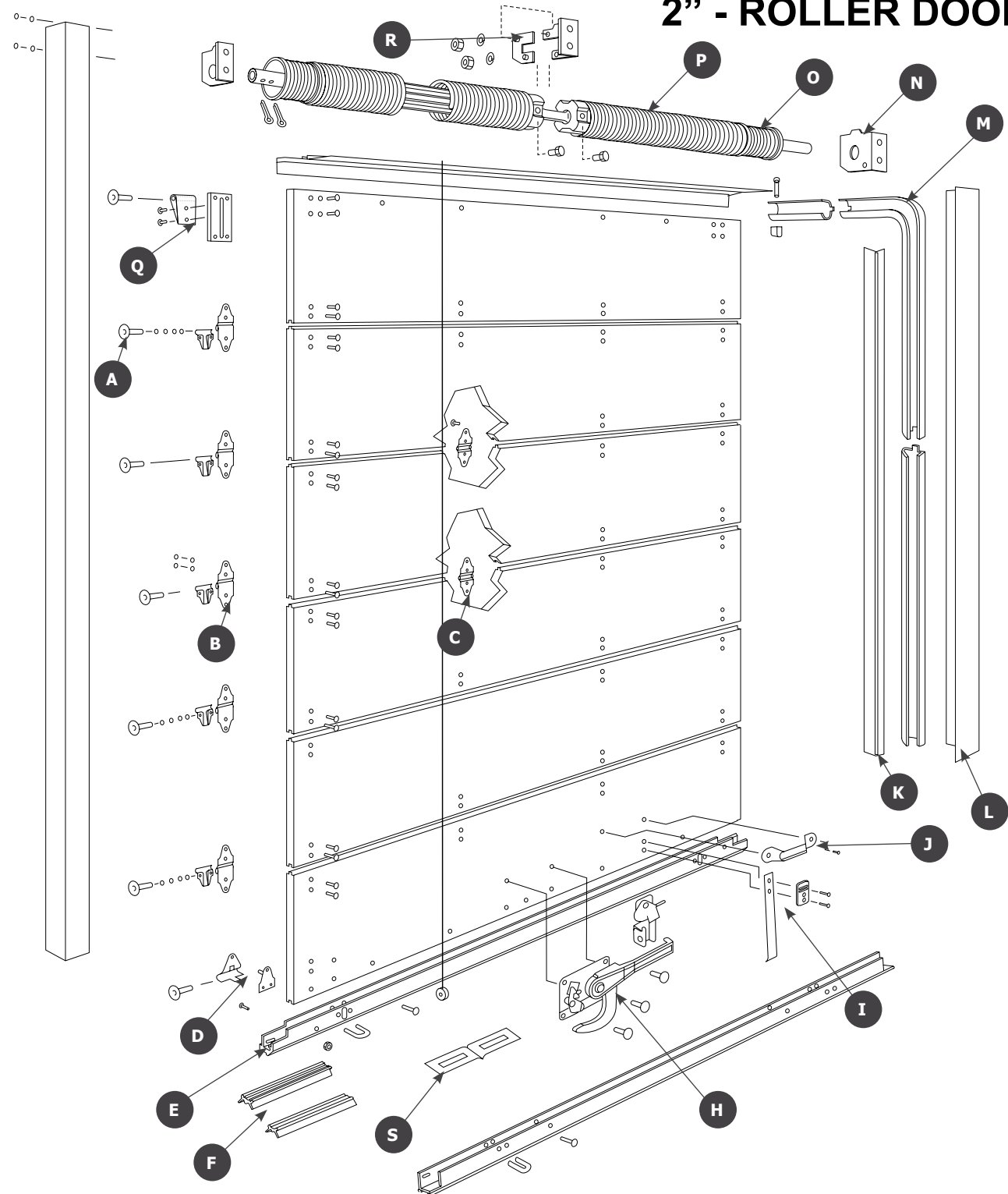
Item	Todco Style	Transglobal	Description
A	61174T	TG-61174	1" Roller
B	69035T	TG-69035	End Hinge
C	61196T	TRG61196	Center Hinge
D	61352T	1026123	Bottom Fixture
E	Contact Sales for more info		Bottom Angle
F	Contact Sales for more info		Bottom Seal
G	61204T	1026120	Cable Anchor Bracket
H	69571T	TRG69571	Lock Assembly
I	80844.1152T	--	Pull Strap Assembly
J	61401T	1026128	Lift Handle
K	Contact Sales for more info		Side Seal
L	Contact Sales for more info		Vertical Track
M	Contact Sales for more info		Horizontal Track
N	69432T / 69431T	1026431	Top Fixture
O	59157-4T	TRG2547-A213	Cable Drum Roadside
O	59157-3T	TRG2548-A213	Cable Drum Curbside
P	51038	027-20500	Bearing & Bracket Assy
Q	Contact Sales for more info		Counter Balance Assy

Roll-Up Doors | Transglobal 1" Roller

Roll-Up Doors | Transglobal 1" Roller



2" - ROLLER DOOR



Item	Description	Item	Description	Item	Description	Item	Description
A	2" Roller	F	Bottom Seals	K	Side Seal	P	Spring Assembly
B	End Hinge	G	Cable Anchor Bracket	L	Verticle Track	Q	Top Closure Bracket Assy
C	Center Hinge	H	Lock Assembly	M	Horizontal Track	R	Balancer Center Bracket
D	Stud Plate/Shaft Cover	I	Pull Strap Assembly	N	Balancer Bracket	S	Keeper Plate
E	Offset Seal Retainer	J	Lift Handle	O	Cable Drum		



2" Roller Door

Item	Whiting Style	Transglobal	Description
A	WHT2996	TRG2996	2" Roller
B	WHT1209A	TRG1209-A	End Hinge
C	WHT15	TRG15	Center Hinge
D	WHT1371-A	TRG61371A	Stud Plate/Shaft Cover
E	Contact Sales for more info		Offset Seal Retainer
F	Contact Sales for more info		Bottom Seals
G	---	---	Cable Anchor Bracket
H	WHT77	TRG77	Lock Assembly
I	WHT9723-1	025-10403	Pull Strap Assembly
J	WHT1715	1027715	Lift Handle
K	Contact Sales for more info		Side Seal
L	Contact Sales for more info		Verticle Track
M	Contact Sales for more info		Horizontal Track
N	WHT2523	TRG2523	Balancer Bracket
O	WHT2524	TRG2524	Cable Drum
P	Contact Sales for more info		Spring Assembly
Q	WHT6944	TRG6944	Top Closure Bracket Assy
R	WHT2525	TRG2525	Balancer Center Bracket
S	---	---	Keeper Plate
T	WHT2526	TRG2526	Center Lock

Roll-Up Doors | Transglobal 2" Roller

Roll-Up Doors | Transglobal 2" Roller



WHITING ROLL-UP DOOR ASSEMBLIES

The roll-up door that made Whiting famous

The world's first practical roll-up truck/trailer doors, introduced by Whiting in 1953. Now better than ever! Designed and built by Whiting in their own plants with heavy-duty components manufactured with the finest quality materials, their PREMIUM QUALITY Roll-up Doors are the finest quality dry freight roll-up doors on the market. Parts designed for quick and easy replacement save downtime so Whiting doors cost less to own. With Whiting doors you get World Class Quality...Made in the U.S.A.!

Standard Features:

- Premium grade 7 ply, 3/4" panels manufactured with a medium density overlay (MDO) laminated to smooth hardwood outer veneers of Transportation Core™ plywood, all designed for optimum strength and appearance.
- 2" track and nylon rollers for durability.
- Tongue and groove joint.
- 2 cable balancer with independent spring for each cable.
- Springs treated with rust preventative.
- 4 rows of hinges.
- Patented roller change hinge design.
- Rigid bottom steel U-channel or aluminum channel with replaceable seal.
- Coated steel or stainless steel rivets.
- **Prime painted at factory.**
- Door hardware E-COATED.
- **Pre-Painted White at factory.**



Part No.	Roller Size	Thickness	Door Size	*Track & Operator Kit	Bottom Panel	Middle Panels	Top Panel
WHTDA24202D	1"	3/4"	90" X 90"	TRG49000-L	(1)15"H X 90"W	(1)11-1/2"H X 90"W, (3)15"H X 90"W	(1)18"H X 90"W
WHTDA24203D	1"	3/4"	98" X 100"	TRG49000-L	(1)15"H X 98"W	(2)11"H X 98"W, (3)15"H X 98"W	(1)18"H X 98"W
WHTDA24204D	1"	3/4"	98" X 107"	TRG49000-L	(1)15"H X 98"W	(5)15"H X 98"W	(1)17"H X 98"W
WHTDA24648D	1"	3/4"	90" X 100"	TRG49000-L	(1)15"H X 90"W	(2)11"H X 90"W, (3)15"H X 90"W	(1)18"H X 90"W
WHTDA24205D	2"	3/4"	90" X 90"	TRG49020	(1)15"H X 90"W	(1)11-1/2"H X 90"W, (3)15"H X 90"W	(1)18"H X 90"W
WHTDA24206D	2"	3/4"	98" X 100"	TRG49020	(1)15"H X 98"W	(2)11"H X 98"W, (3)15"H X 98"W	(1)18"H X 98"W
WHTDA24207D	2"	3/4"	98" X 107"	TRG49020	(1)15"H X 98"W	(5)15"H X 98"W	(1)17"H X 98"W
WHTDA24649D	2"	3/4"	90" X 100"	TRG49020	(1)15"H X 90"W	(2)11"H X 90"W, (3)15"H X 90"W	(1)18"H X 90"W

*Doors are kitted with all hardware (hinges, rollers, lock & keeper), less cables, track, operator, and side seals.

*Track and Operator Kits Consist of: Horizontal & Vertical Track with Operator. The kit does NOT include side seals.



Whiting Rollers

Part No.	Description
WHT2996	2" Steel Roller
WHT2996-3	2" Steel Roller - 5" Shaft
WHT3228	2" Nylon Roller



Whiting Fixtures & Hinges

Part No.	Description	Image
WHT1371-A	Bottom Fixture Kit	
WHT6944	Top Fixture Kit	

Part No.	Description	Application	Image
WHT15	Center Hinge	Dry Freight Door	
WHT2915	Center Hinge	Cargo Saver Door	
WHT1209A	End Hinge	Dry Freight Door	
WHT1207	End Hinge, less WHT1208 Cover	Dry Freight Door	

Whiting Cable Drum & Bearings

Part No.	Description	Side	Image
WHT2547	Cable Drum & Bearing Assembly	Curbside	
WHT2548	Cable Drum Bearing Assembly	Roadside	

Whiting Lock & Keepers

Part No.	Description
WHT77KIT	Lock & Keeper Kit
WHT7515	Lock Keeper
WHT2804	Latch Plate



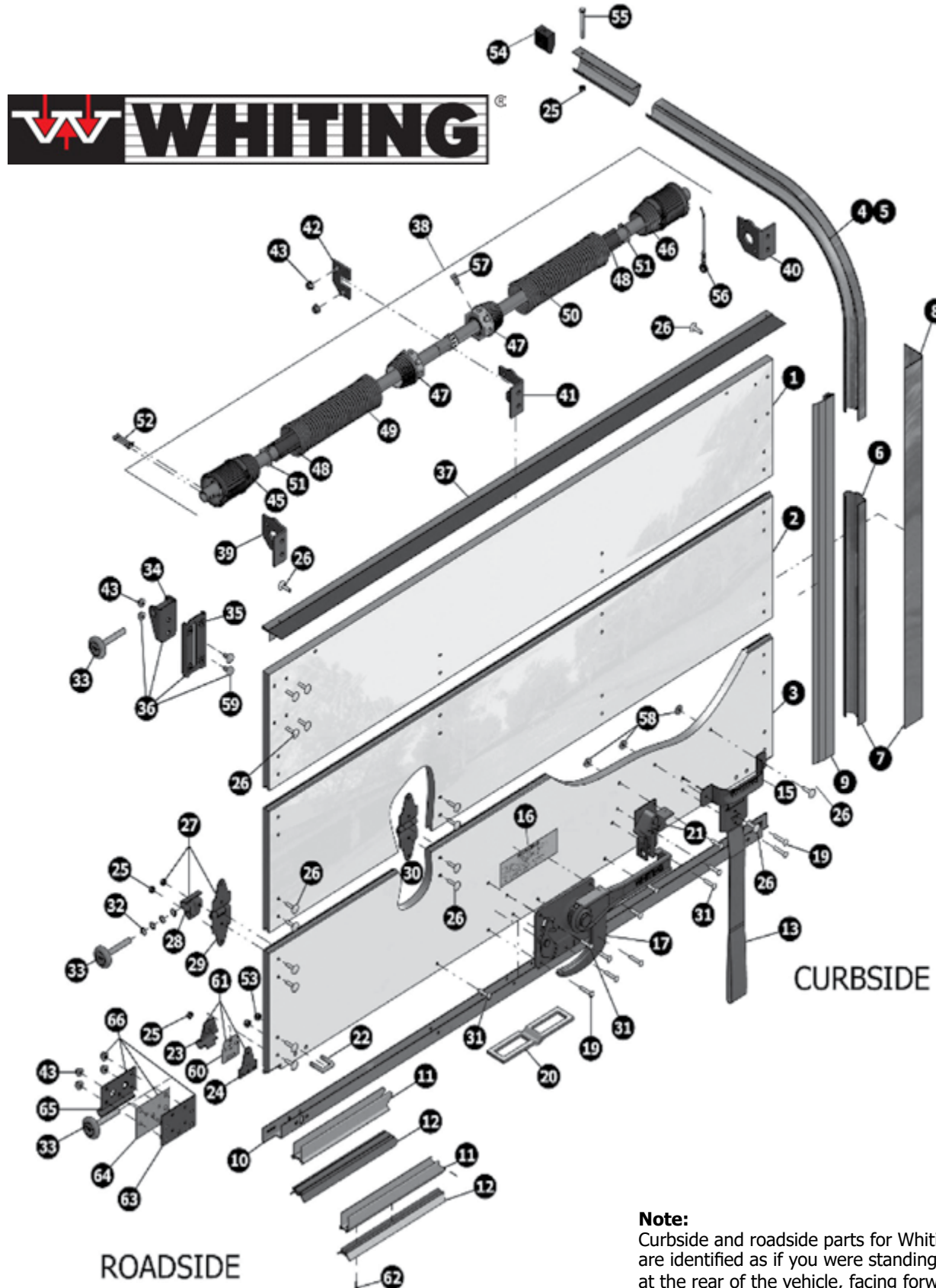
Whiting Pull Straps

Part No.	Description
WHT9723	19" Door Pull Strap
WHT9723-1	32" Door Pull Strap
WHT9723-11	60" Door Pull Strap





WHITING PREMIUM 3/4" DRY FREIGHT DOOR ASSEMBLY



Note:
Curbside and roadside parts for Whiting doors are identified as if you were standing outside, at the rear of the vehicle, facing forward.



WHITING PREMIUM 3/4" DRY FREIGHT DOOR ASSEMBLY

IND	Part Number	Description
2	Call Sales	Intermediate Panel - Plastic - Ship Lap Joint (Specify Length & Width)
	Call Sales	Intermediate Panel - Plastic - Tongue & Groove Joint (Specify Length & Width)
	Call Sales	Other Panel Types Available To Order
3	Call Sales	Bottom Panel Plain - Plastic - Ship Lap Joint (Specify Length & Width)
	Call Sales	Bottom Panel Plain - Plastic - Tongue & Groove Joint (Specify Length & Width)
	Call Sales	Bottom Panel Plain - Plastic - Tongue & Groove Joint With Cutout And Seal (Specify Length & Width)
4	Call Sales	Bottom Panel Plain - Aluminum Clad - Tongue & Groove Joint With Cutout And Seal (Specify Length & Width)
	Call Sales	2" Horizontal Track, Curbside, 8" Radius, 130" Long
	Call Sales	2" Horizontal Track, Roadside, 8" Radius, 130" Long
6	Call Sales	2" Vertical Track, 130" Long (Roadside Or Curbside)
7	Call Sales	Vertical Track And Mounting Angle Assembly - Curbside (For Up To 100" Door)
	Call Sales	Vertical Track And Mounting Angle Assembly - Curbside (For Up To 107" Door)
	Call Sales	Vertical Track And Mounting Angle Assembly - Roadside (For Up To 100" Door)
	Call Sales	Vertical Track And Mounting Angle Assembly - Roadside (For Up To 107" Door)
8	WHT61	Mounting Angle (Specify Length & Size)
9	WHT5423	Side Seal, 110" Long
10	WHT18-3X96	Bottom U-Channel, 96"
	WHT1801	Bottom U Channel Seal Retainer - Aluminum
12	WHT1676X96	Bottom Seal, 96" Long
13	WHT9723	Pull Down Strap (Wh9723 = 19" Long, Wh9723-1 = 32" Long Wh9723-11 = 60" Long)
15	WHT1715	Grab Handle
16	WHT232323	Do Not Remove Decal
17	WHT77	Lock Assembly, No Keeper
19	WHT10-1002-9	Rivet, 1/4" X 1-5/16", 1/2" Dia. Head
20	WHT2804	Latch Plate
21	WHT7515	Handle Keeper
22	WHT70-13	Cable Anchor, 1-1/4" U-Bolt
23	WHT1021	Bottom Roller Shaft Cover
24	WHT1370	Bottom Roller Bracket Stud Plate
25	WHT10-1022-1	Keq Nut, 1/4-20
26	WHT10-1002-3	Rivet, 1/4 X 1, 3/4" Dia. Head, Cadmium Plated Steel.
27	WHT1209A	Roller Hinge Complete With Cover Clamp And Nuts
28	WHT1208	Roller Hinge Cover Clamp
29	WHT1207	Roller Hinge
30	WHT15	Center Hinge
31	WHT10-1002-11	Rivet, 1/4" X 1-1/8", 1/2" Dia. Head
32	WHT6	Spacer Washer
33	WHT3228	2" Nylon Roller (Part Number 1190654 Can Be Substituted)
	WHT2996	2" Steel Roller (Part Number 1190664 Can Be Substituted)
34	WHT6943	Top Closure Slide
35	WHT1264	Top Closure Base With Nuts And Bolts
36	WHT6944	Top Closure Assembly Complete
37	Call Sales	Top Seal, 98" Long

IND	Part Number	Description
38	WHT2376	Balancer Assembly, 87" Or 96"
39	WHT2524	Balancer Bracket - Roadside
40	WHT2523	Balancer Bracket - Curbside
41	WHT2525	Balancer Bracket, Center
42	WHT2526	Clamp Assembly
43	WHT10-1063-1	Self Locking Nut, 5/16"-18
44	WHT2528	Balancer Shaft, 96" Long
45	WHT2547	Cable Drum And Bearing Assembly - Roadside
46	WHT2548	Cable Drum And Bearing Assembly - Curbside
47	WHT2518	Winding Cone
48	WHT2471	Spring Spacer
49	Call Sales	Torsion Spring - Roadside, Lh Wound
50	Call Sales	Torsion Spring - Curbside, Rh Wound
51	WHT2522	Thrust Washer
52	WHT10-1009-8	Cotter Pin (3/16" X 1-1/2")
53	WHT10-1033-2	Torque Nut (5/16"-18)
54	WHT83	2" Track Stop Bumper
55	WHT10-1010-3	Bolt, 1/4"-20 X 2-1/2"
56	WHT1-xx	1/8" Stainless Steel Cable With 5/16" Eye. (See Replacement Cables)
57	WHT2699	Set Screw 3/8-16 X 5/8
58	WHT10-1006-1	Washer, 1/4 X 3/4
59	WHT2370	Bolt, 5/16 X 5/8
60	WHT5726	Wear Plate, For Doors With Bottom Seal
61	WHT1371-A	Complete Bottom Bracket With Cover
62	WHT10-1068-1	Drive Screw (13 X 3/4)
63	WHT5509	Stud Plate
64	WHT5504	Wear Plate
65	WHT5502	Bottom Roller Clamp
66	WHT5600	Bottom Roller Bracket Assembly

Roll-Up Doors | Whiting 3/4" Dry Freight

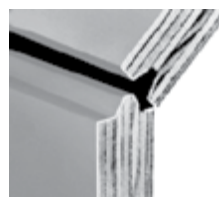


WHITING ROLL-UP DOOR PANELS

Standard Features: Premium grade 7 ply, 3/4" panels manufactured with a medium density overlay (MDO), laminated to smooth hardwood outer veneers of Transportation Core™ plywood, all designed for optimum strength and appearance. Tongue-and-groove type or ship lap joint. Panels are prime-painted and plastic coated.

Whiting Intermediate Panels

Part No.	Type	Description
WHT242-12X98	Ship Lap	12" High, 98" Wide, 3/4", Primed
WHT242-15X98	Ship Lap	15" High, 98" Wide, 3/4", Primed
WHT342-11X98	Tongue & Groove	11" High, 98" Wide, 3/4", Primed
WHT342-11.5X98	Tongue & Groove	11-1/2" High, 98" Wide, 3/4", Primed
WHT342-12X98	Tongue & Groove	12" High, 98" Wide, 3/4", Primed
WHT342-15X98	Tongue & Groove	15" High, 98" Wide, 3/4", Primed



Whiting Bottom Panels

Part No.	Joint	Description
WHT243-15X98	Ship Lap	15" High, 98" Wide, 3/4", Primed, No Channel Or Seal.
WHT343-11.5X98	Ship Lap	11-1/2" High, 98" Wide, 3/4", Primed, No Channel Or Seal.
WHT345-2-15X98	Tongue & Groove	15" High, 96" Wide, 3/4", Primed, With Steel U-Channel, No Channel Or Seal.
WHT345-3-11X98	Tongue & Groove	11" High, 98" Wide, 3/4", Primed, TWith Aluminum Channel And Seal.
WHT345-3-12X98	Tongue & Groove	12" High, 98" Wide, 3/4", Primed, With Aluminum Channel And Seal.
WHT345-3-15X98	Tongue & Groove	15" High, 98" Wide, 3/4", Primed, With Aluminum Channel And Seal.
WHT353-15X98	Tongue & Groove	11" High, 98" Wide, 3/4", Aluminum Clad, White, No Channel Or Seal.

Whiting Door Operator

Part No.	Application	Brackets		
		Curbside	Center	Roadside
WHT2376-87	For 96" wide trailers	WHT2523	WHT2525 & WHT2526	WHT2524
WHT2376-93H	For 112" wide trailers	WHT2523	WHT2525 & WHT2526	WHT2524
WHT2376-96	For 102" wide trailers	WHT2523	WHT2525 & WHT2526	WHT2524
WHT2528	Operator Shaft - 96"			



TODCO Roll-Up Door Cables

All door cables are 7 x 19 preformed galvanized (GA) or stainless steel aircraft cable. Fittings are all aluminum. **Cables sold in pairs only.** Each pair tagged with the Fleetcraft Part Number.



Part Number	Length Inches	Material	Eye Size	Color Code
1014245	110"	Stainless	5/16"	Red
1014245GA	110"	Galvanized	5/16"	Gray
1014246	115"	Stainless	5/16"	Blue
1014246GA	115"	Galvanized	5/16"	Black
1014247	120"	Stainless	1/4"	Orange
1014259GA	125"	Galvanized	1/4"	Blue
1014248	130"	Stainless	5/16"	Yellow
1014248GA	130"	Galvanized	5/16"	Green
1014249	130"	Stainless	1/4"	Yellow

Whiting Roll-Up Door Cables

Note: The spools on Whiting cables with 5/16" eyes are beveled on one side for ease of installation on U-bolt style cable anchors. Whiting cables with 7/16" I.D. diameter spools are for attachment to bottom roller shafts.



Part Number	Length Inches	Material	Eye Size	Color Code
1014250	105"	Stainless	7/16"	Yellow
1014250GA	105"	Galvanized	7/16"	Yellow
1014252	110"	Stainless	7/16"	Brown
1014252GA	110"	Galvanized	7/16"	Brown
1014255	115"	Stainless	7/16"	Green
1014255GA	115"	Galvanized	7/16"	Green
1014256	115"	Stainless	5/16"	Green
1014256GA	115"	Galvanized	5/16"	Green
1014251	125"	Stainless	5/16"	White
1014251GA	125"	Galvanized	5/16"	White
1014253	125"	Stainless	7/16"	Red
1014253GA	125"	Galvanized	7/16"	Red
1014254	130"	Stainless	7/16"	N/C
1014254GA	130"	Galvanized	7/16"	N/C
1014257	135"	Stainless	7/16"	Blue



Standard Feature:

Todco is committed to continually pioneering overhead door technology.

A perfect example is the use of premium grade wood in the Transportation Core™, a 3/4" 7-ply, medium density overlay panel. It starts with a premium-grade hardwood outer veneer that virtually eliminates wood grain "telegraphing" for a smoother, more uniform look.

Other Features Available:

Four-knuckled hinges, stainless steel rivets, self-adjusting springless maximum security locks, quiet nylon tube hinges, space-saver 1" side clearance, rust-inhibiting e-coating, pre-lubed sealed rollers, and recessed hardware.



TODCO Cable Drums

Part No.	Description	Length	Side	Hardware	Image
9129-1T	Cable Drum	Up To 105" Cable	Curbside	3/8"Nc X 7/8" Hex Head Set Screw	
59129-2T	Cable Drum	Up To 105" Cable	Roadside	3/8"Nc X 7/8" Hex Head Set Screw	
59157-3T	Cable Drum	105" To 120" Cable	Curbside	3/8"Nc X 7/8" Hex Head Set Screw	
59157-4T	Cable Drum	105" To 120" Cable	Roadside	3/8"Nc X 7/8" Hex Head Set Screw	

TODCO Lock & Keeper

Part No.	Description
69571T	Maximum Security Lock
69572T	Keeper Assembly
70057T	Lock Shim, 3/8"
70058T	Keeper Shim, 3/8"

Part No.	Description
61401T	Lift Handle - Dry & Insulated Doors

Part No.	Description
80844-1T	Pull Strap - 50' Roll
69832T	Pull Strap Retainer



TODCO Rollers & Bearings

Part No.	Description
61174T	1" Steel Roller
69162T	1" Steel Roller Sealed
70305T	1" Steel Roller Precision
TG-61175XHD	1" HD Solid Roller
TG-61174	1" Steel Roller

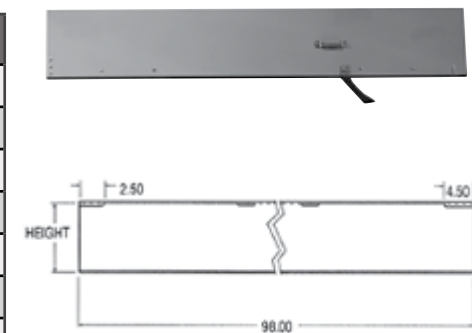


Part No.	Description
51038T	Bearing Assembly



TODCO Intermediate Panels

Part No.	Nominal Size
29014-11X98	11" high, 98" wide, 3/4", plastic covered.
29014-11.5X98	11.5" high, 98" wide, 3/4", plastic covered.
29014-12X98	12" high, 98" wide, 3/4", plastic covered.
29014-13X98	13" high, 98" wide, 3/4", plastic covered.
29014-15X98	15" high, 98" wide, 3/4", plastic covered.
29014-16X98	16" high, 98" wide, 3/4", plastic covered.
29014-18X98	18" high, 98" wide, 3/4", plastic covered.
29018-11X98	11" high, 98" wide, 3/4", white, aluminum covered.
29018-12X98	12" high, 98" wide, 3/4", white, aluminum covered.
29018-13X98	13" high, 98" wide, 3/4", white, aluminum covered.
29018-15X98	15" high, 98" wide, 3/4", white, aluminum covered.



TODCO Bottom Panels

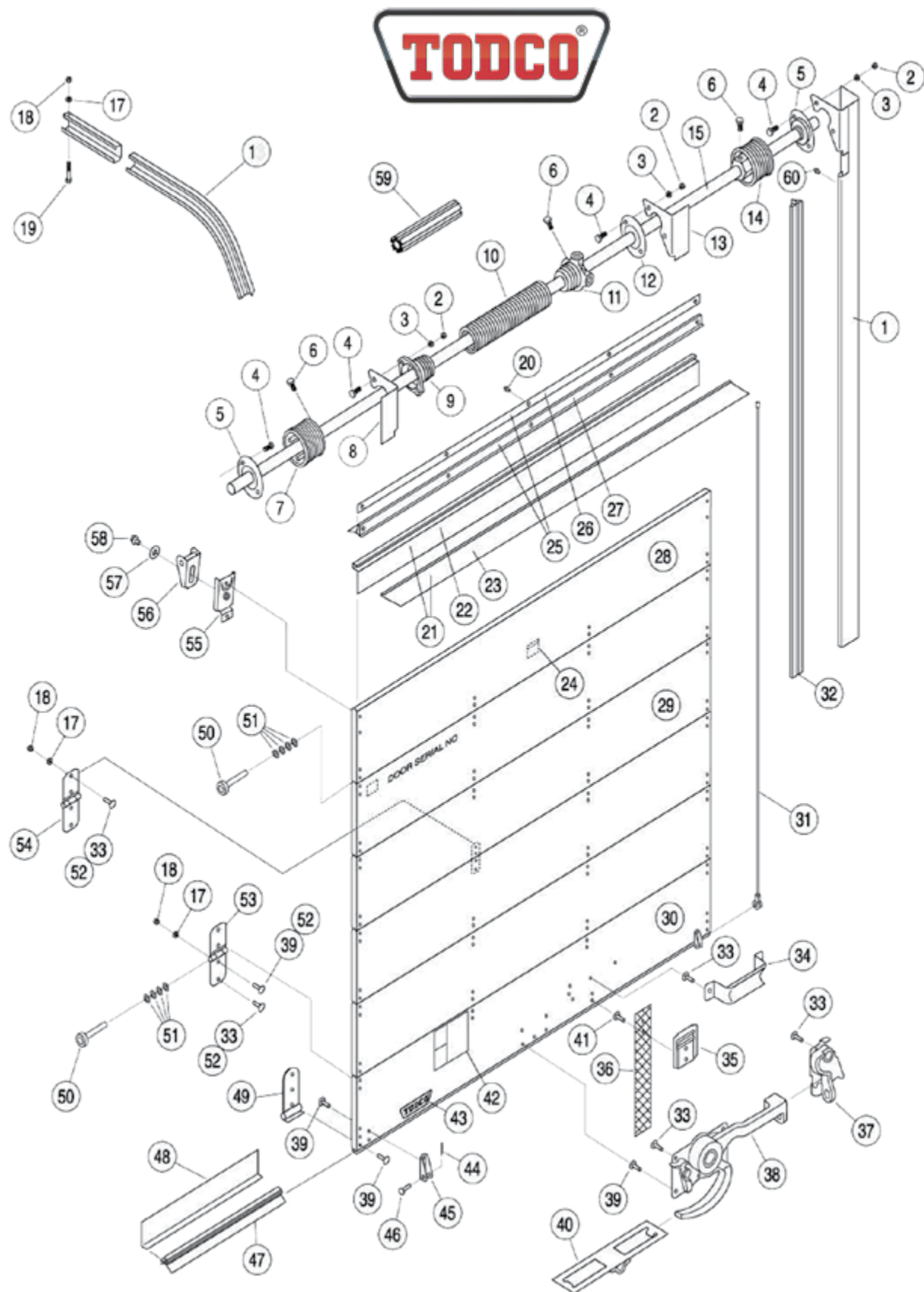
Part No.	Nominal Size
29016-1-11X98	11" high, 98" wide, 3/4", plastic covered. (Also available in 90" wide.)
29016-1-12X98	12" high, 98" wide, 3/4", plastic covered. (Also available in 93" wide.)
29016-1-13X98	13" high, 98" wide, 3/4", plastic covered.
29016-1-15X98	15" high, 98" wide, 3/4", plastic covered. (Also available in 93" wide.)
29016-1-16X98	16" high, 98" wide, 3/4", plastic covered.
29016-1-18X98	18" high, 98" wide, 3/4", plastic covered.
29020-11X98	11" high, 98" wide, 3/4", white, aluminum covered.
29020-12X98	12" high, 98" wide, 3/4", white, aluminum covered.
29020-13X98	13" high, 98" wide, 3/4", white, aluminum covered.
29020-15X98	15" high, 98" wide, 3/4", white, aluminum covered.

TODCO Fixtures & Hinges

Part No.	Description	Application	Image	Part No.	Description	Application	Image
61352T	Bottom Fixture	Dry Freight Door		61196T	Center Hinge	Dry Freight Door	
Call Sales	Bottom Fixture	Curbside					
Call Sales	Bottom Fixture	Curbside					
70125T	Top Half Roller Cover for 69986-1T/69986-2T	Cover		69035T	End Hinge	Dry Freight Door	
69433T	Top Fixture Assembly	Dry Freight Door					
69431T	Top Fixture Slide	Dry Freight Door					
69432T	Top Fixture Base	Dry Freight Door					
70311T	End Hinge - 2 Piece	Dry Freight Door		70236T	End Hinge - Heavy Duty	Dry Freight Door	



TODCO 3/4" DOOR ASSEMBLY



IND	Part Number	Description
1	Call Sales	Vertical Track Assembly - L.H. (Curbside)
	Call Sales	Vertical Track Assembly - R.H. (Roadside)
2	Call Sales	Hex Nut - 5/16" NC
3	Call Sales	Lock Washer - 5/16"
4	Call Sales	Hex Head Bolt - 5/16" NC x 7/8"
5	51038T	Bearing Assembly
6	Call Sales	Hex Head Set Screw - 3/8" NC x 7/8"
	59129-2T	Cable Drum (Alum)- R.H. (Roadside) to 105" Dr. Hgt.
7	59157-4T	Cable Drum (Alum)- R.H. (Roadside) 105" to 120" Dr. Hgt.
	51036-2T	Spring Anchor Bracket
9	Call Sales	Spring Anchor Plug 1-3/4" I.D. Spring
	Call Sales	Spring Anchor Plug 2-1/2" I.D. Spring
10	Call Sales	Spring - 1-3/4" I.D.
	Call Sales	Spring - 2-1/2" I.D.
11	Call Sales	Spring Winding Plug 1-3/4" I.D. Spring
	Call Sales	Spring Winding Plug 2-1/2" I.D. Spring
12	Call Sales	Bearing Assembly - Support Bracket
13	51036-1T	Support Bracket - L.H. (Curbside)
14	59129-1T	Cable Drum - (Alum) L.H. (Curbside) to 105" Door Hgt.
	59157-3T	Cable Drum - (Alum) L.H. (Curbside) 105" to 120" Dr. Hgt.
15	Call Sales	Counterbalance Shaft
16	Call Sales	Horizontal Track - L.H. (Curbside)
	Call Sales	Horizontal Track - R.H. (Roadside)
17	Call Sales	Lock Washer - 1/4" NC
18	Call Sales	Hex Nut - 1/4" NC
19	Call Sales	Hex Head Bolt - 1/4" NC x 1-3/4"
20	Call Sales	Drive Rivet 3/16" Dia. X 15/32" LG.
21	Call Sales	Head Seal Assembly (Panel Mounted)
22	Call Sales	Retainer - Head Seal (Panel Mounted)
23	Call Sales	Head Seal (Panel Mounted)
24	Call Sales	Warning Sticker - Counterbalance
25	Call Sales	Head Seal Assembly (Header Mounted)
26	Call Sales	Retainer - Head Seal (Header Mounted)
27	Call Sales	Head Seal (Header Mounted)
28	Call Sales	Top Panel - ToughShell No Hardware
	Call Sales	Top Panel - Aluminum Covered
29	Call Sales	Intermediate Panel - ToughShell Coated - No Hardware
	Call Sales	Intermediate Panel - Aluminum Covered - No Hardware
30	Call Sales	Bottom Panel - ToughShell Coated. **Additional sizes needed
	Call Sales	Bottom Panel - Aluminum Covered. **Additional sizes needed
31	TOD51044	Cable Assembly - 110" LG. - to 100" Door Height
	Call Sales	Cable Assembly - 115" LG. 100" to 105" Door Height
	Call Sales	Cable Assembly - 130" LG. 105" to 120" Door Height
32	Call Sales	Side Seal - Pair
33	Call Sales	Rivet - 1" LG.
34	61401T	Lift Handle
35	69832T	Pull Strap Retainer
36	Call Sales	Pull Strap
37	69572T	Keeper Assembly
38	69571T	Maximum Security Lock Assembly - Standard
	70223T	Maximum Security Lock Assembly - Offset Lever Arm

TODCO 3/4" Door Assy

IND	Part Number	Description
39	89210-0036	Rivet - 1-1/8" LG.
40	70093T	Catch Box
41	89210-0044	Rivet - 1-3/8" LG.
42	Call Sales	Warning Sticker - Safety Notice
43	Call Sales	Name Plate
44	Call Sales	Cotter Pin - 3/32" Dia.
45	61204T	Cable Anchor Bracket
46	61026T	Cable Anchor Pin
47	Call Sales	Bottom Seal
48	Call Sales	Bottom Angle
49	61352T	Bottom Fixture
50	61174T	Roller
51	80020T	Spacer Washer-Roller
52	80015-0040	Step Bolt - 1/4" NC x 1-1/4"
53	69035T	End Hinge
54	61196T	Center Hinge
55	69432T	Base - Adjustable Top Fixture
56	69431T	Slide - Adjustable Top Fixture
57	Call Sales	Flatwasher - 3/8"
58	TOD89049	E-Lok Bolt - 3/8" NC
59	Call Sales	Filler Plug - 2-1/2" I.D. Spring
60	Call Sales	Drive Rivet - 3/16" Dia. x 9/32" LG.

Todco identifies right hand and left hand parts as if **you are standing inside the trailer facing towards the rear.** *This pertains only to Todco.*

COUNTERBALANCE ASSEMBLIES

Item	Part No.	Description
15A	59292T	Counterbalance Assembly, Outside Cables, 98" Shaft
15B	59174-90T	Counterbalance Assembly, Outside Cables, 90" Shaft
15C	59209T	Counterbalance Assembly, Shallow Header, 96" Shaft, Up To 105" Door Height.
15D	59220T	Counterbalance Assembly, Shallow Header, 96" Shaft, 105"-112" Door Height.

Every TODCO counterbalance assembly has been manufactured to meet a custom door specification. **TO HELP ENSURE THAT YOU RECEIVE THE CORRECT REPLACEMENT PART OR ASSEMBLY, PLEASE PROVIDE THE DOOR SERIAL NUMBER.**

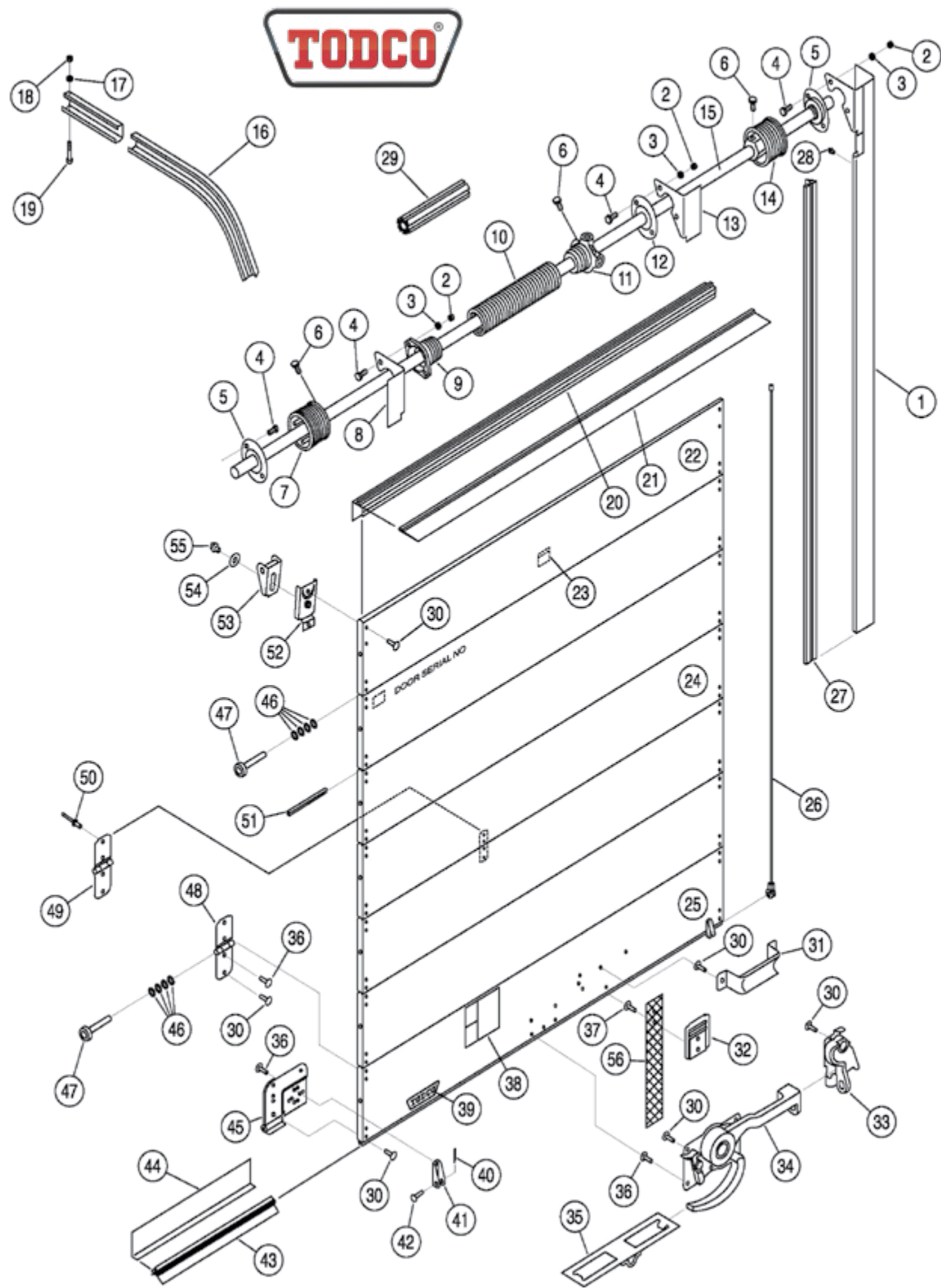
This can be found on the metal tag attached to the inside upper right-hand corner of the door.

If the serial number is unavailable, we must have the following information:

- 1) Inside diameter (I.D.) of the torsion spring.
- 2) Length of the torsion spring.
- 3) Number of coils within 10" of the torsion spring.
- 4) Length of the shaft.
- 5) Part number on each of the 2 cable drums.



TODCO 1 1/8" POLAR GUARD FIBERGLASS INSULATED DOOR ASSEMBLY



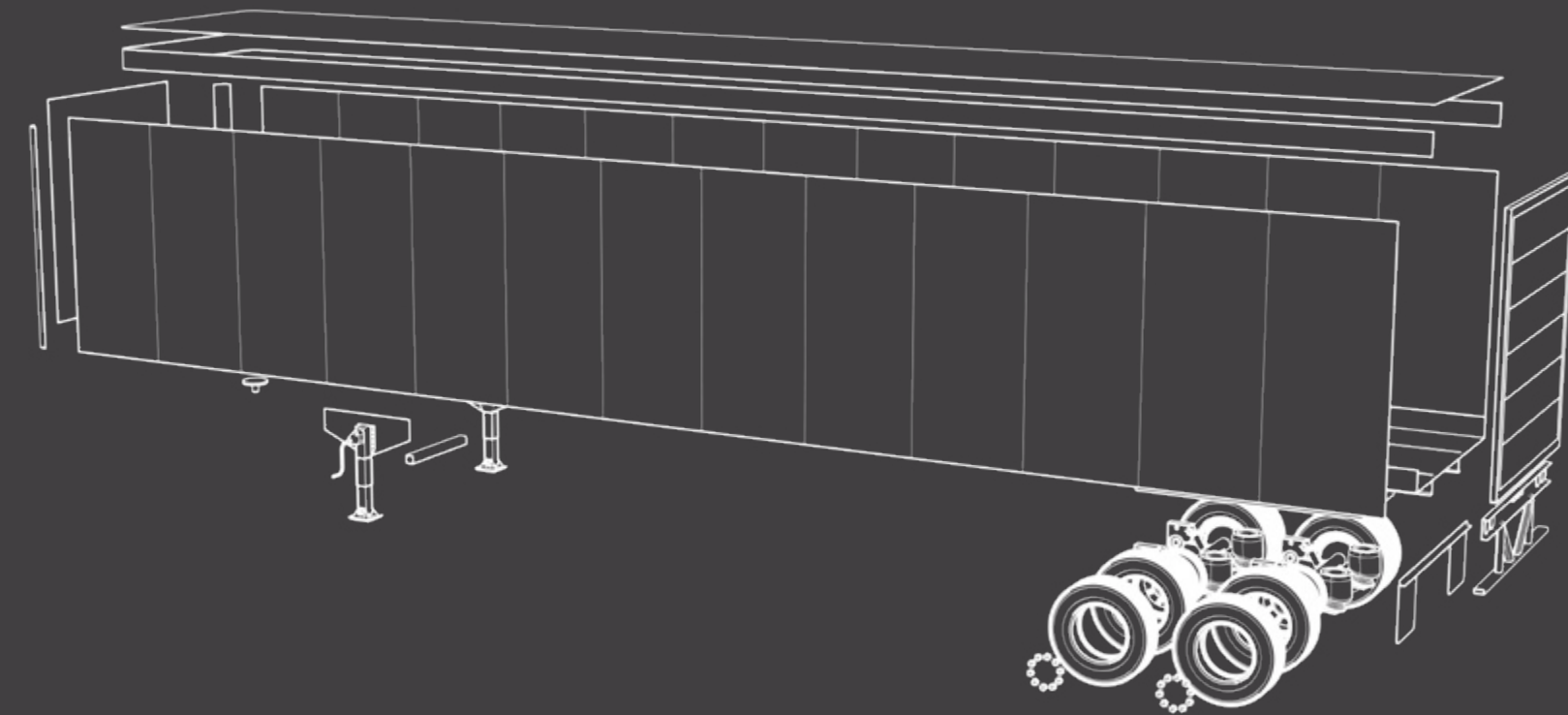
TODCO 1-1/8" Door Assy

IND	Part Number	Description
1	Call Sales	Vertical Track Assembly-L.H. (Curbside)
	Call Sales	Vertical Track Assembly-R.H. (Roadside)
2	Call Sales	Hex Nut - 5/16" NC
3	Call Sales	Lock Washer - 5/16"
4	Call Sales	Hex Head Bolt - 5/16" NC X 7/8"
5	51038T	Bearing Assembly
6	Call Sales	Hex Head Set Screw 3/8" NC X 7/8"
	59129-2T	Cable Drum (Alum) - R.H. (Roadside) To 105" Dr. Hgt.
7	59157-4T	Cable Drum (Alum) - R.H. (Roadside) 105" To 120" Dr. Hgt.
8	51036-2T	Spring Anchor Bracket
9	Call Sales	Spring Anchor Plug 1-3/4" I.D. Spring
	Call Sales	Spring Anchor Plug 2-1/2" I.D. Spring
10	Call Sales	Spring- 1-3/4" I.D.
	Call Sales	Spring- 2-1/2" I.D.
11	Call Sales	Spring Winding Plug 1-3/4" I.D. Spring
	Call Sales	Spring Winding Plug 2-1/2" I.D. Spring
12	Call Sales	Bearing Assembly Support Bracket
13	51036-1T	Support Bracket -L.H. - (Curbside)
14	59129-1T	Cable Drum (Alum) - L.H. (Curbside) To 105" Door Hgt.
	59157-3T	Cable Drum (Alum) - L.H. (Curbside) 105" To 120" Dr. Hgt.
15	Call Sales	Counterbalance Shaft
16	49702-1T	Horizontal Track - L.H.(Curbside)
	49702-2T	Horizontal Track - R.H.(Roadside)
17	Call Sales	Lock Washer - 1/4" NC
18	Call Sales	Hex Nut - 1/4" NC
19	Call Sales	Hex Head Bolt - 1/4" NC x 1-3/4"
20	Call Sales	Top Cap
21	69718	Head Seal - Panel Mounted
22	Call Sales	Top Panel w/ Top Cap (Specify Panel Height & Weight)
23	Call Sales	Warning Sticker - C/B
24	Call Sales	Intermediate Panel - 11" (Specify Panel Length)
	Call Sales	Intermediate Panel - 15" (Specify Panel Length)
25	Call Sales	Bottom Panel - 11" (With Hardware, No Lock)
25	Call Sales	Bottom Panel - 15" (With Hardware, No Lock)
26	TOD51044	Cable Assembly - 110" Long (To 100" Door Height)
	Call Sales	Cable Assembly - 115" Long (100" To 105" Door Height)
	Call Sales	Cable Assembly -130" Long (105" TO 120" Door Height)
27	61390	Side Seal - Pair
28	Call Sales	Rivet 3/16" Dia. X 9/32"
29	Call Sales	Filler Plug - 2-1/2" I.D. Spring
30	Call Sales	Rivet - 1-3/8" Stainless Steel
	80015-0052	Step Bolt -1/4" NC X 1-5/8"
31	61401T	Lift Handle
32	69832T	Pull Strap Retainer
33	69572T	Keeper Assembly
34	69571T	Maximum Security Lock
34	70223T	Maximum Security Lock Offset Lever Arm
35	70093T	Catch Box
36	Call Sales	Rivet 1-1/2" Stainless Steel
37	Call Sales	Rivet 1-5/8" Stainless Steel

IND	Part Number	Description
38	Call Sales	Warning Sticker - Safety Notice
39	Call Sales	Name Plate
40	Call Sales	Cotter Pin - 3/32" Dia.
41	61204T	Cable Anchor Bracket
42	61026T	Cable Anchor Pin
43	70084T	Bottom Seal
44	69110	Bottom Angle
45	70082-2T	Bottom Fixture
	70082-1T	Bottom Fixture
46	80020T	Space Washer - Roller
47	69162T	Roller - Sealed
48	69035T	End Hinge
49	61196T	Center Hinge
50	Call Sales	Blind Rivet-1/4" Dia. X 1/4"
51	Call Sales	Joint Seal
52	69432T	Base - Adjustable Top Fixture
53	69431T	Slide - Adjustable Top Fixture
54	Call Sales	Flatwasher - 3/8"
55	TOD89049	E-LOK Bolt - 3/8" NC
56	Call Sales	Pull Strap - 30" Straight Standard - (44" LG.)



**ROAD EQUIPMENT
PARTS CENTER**



**Safety & Spray
Control**



Holders/Manifest Boxes

Part Number	Description	Length	Height	Material	Color	
PHP16-802	Round Document Holder	9"	2.5"	Plastic	Gray	A
TRL97960	Oval Surface Mount Document Holder	6"	2.25"	Plastic	Gray	B
80SM97	Placard Holder, Full Holder	12.5"	14.125"	Aluminum	Silver	C
1011535	Manifest Box	13"	8"	Aluminum	Silver	D
JK300	Manifest Box	5.25"	3.5"	Aluminum	Silver	E
JK500	Manifest Box	16"	1.5"	Plastic	Gray	F
GTMGT-1002WHT	Manifest Box	13"	8"	Plastic	White	G



A



B



C



D



E



F



G

Placards

Part Number	Description	Length	Height	
GT-1101	Placard Holder w/ Back Plate	14.375"	14"	A
126CT	Flip Placard 7 Legend: Flammable, Combustible, Poison, Corrosive	13.5"	13.5"	B
81-8FO	Flip Placard 8 Legend: Full Frame	13.5"	13.5"	C
81-8SFO	Flip Placard 8 Legend: Split Frame	13.5"	13.5"	D
81-8WFO	Flip Placard 8 Legend: White Frame	13.5"	13.5"	E



A



B



C



D



E

Triangle Kits

Part Number	Description
1005	Emergency Warning Triangle, 3 Piece Kit
1005-B1	Mounting Bracket for #1005 Triangle Kit



1005



1005-B1

Stabilizing Jacks

Part Number	Description	Load Capacity	Stabilizing Length
1010181	Stabilizer Stand	40,000 lbs Static Load	44" - 51"



Flags/Flames

Part Number	Description	Dimensions	Material	Color
SFTAVM104	Oversized Load Banner	18"x84"	Mesh	Yellow



SFTAVM104

Part Number	Description	Capacity	Count
1011038	Safety Spike Flare	20 Mins	72 Per
1011078	Safety Spike Flare	30 Mins	36 Per



1011038

Conspicuity Tape

Part Number	Description	Length	Width	Color
75-0301-2244-6	Conspicuity Tape, Red- 11", White- 7"	150"	2"	Red + White
75-0301-2248-7	Conspicuity Tape	150"	2"	White
75-0301-2246-1	Conspicuity Tape, Red- 6", White- 6"	150"	2"	Red + White
75-0302-6613-6	Conspicuity Tape, Red- 11", White- 7"	150"	2"	Red + White
AVR5701700AE	Conspicuity Tape, Red- 11", White- 7"	150"	2"	Red + White



75-0301-2244-6

Fire Extinguishers

Part Number	Description	Agent Capacity	UL Rating
466422	Fire Extinguisher w/ Steel Strap Bracket	2.75 lbs	10-B.C
440161MTL	Fire Extinguisher	2.9 lbs	10-B.C
25614	Fire Extinguisher	5 lbs	3-A:40-B:C
11340	Fire Extinguisher w/ Wall Hook	10 lbs	4-A:80-B:C



440161MTL



Wheel Chocks

Part Number	Description	Material	Width	Height	Depth	Color
1013985	Wheel Chock w/ Eye Bolt	Rubber	10"	6"	8"	Black
MERGAFF18455	Wheel Chock	Poly	10.5"	6.4"	8.7"	Orange
BPCWC1085H	Heavy Duty Wheel Chock w/ Handle	Rubber	10"	5"	8"	Black
BPCWC6096A	Extruded Ribbed Wheel Chock	Aluminum	6"	5.875"	8.75"	Silver



1013985



BPCWC1085H



MERGAFF18455

Tire Carriers

Part Number	Description	Tire Diameter	Tire Width	Packaging
984-00032	Standard Mount Tire Carrier	Up to 42"	Up to 18"	Assembled
984-00035	Standard Mount Tire Carrier	Up to 42"	Up to 18"	Unassembled Banded
981-00166	Tire Carrier Adapter - Nash Style	Up to 42"	Up to 18"	Individually Packaged



984-00032



981-00166

Tire Chains

Part Number	Description	Tire Sizes	Packaging	
FCP2247SC	Single Tire Twist Link Tire Chains	305/70R22.5, 295/75R22.5, 285/70R22.5 285/75R22.5, 275/80R22.5, 285/70R22.5	Single	A
AL79	AutoSock Traction Device	295/75R22.5	Single	B
AL84	AutoSock Traction Device	315/60R22.5	Single	B



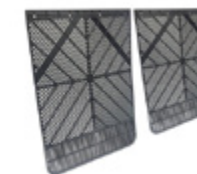
A



B

Mudflaps

Part Number	Description	Dimensions	Thickness	Material	Color
033-08002	AeroDynamic Mudflap	24"x36"	1.50"	Composite	Black
1014855	Plastic Mudflap	24"x24"	0.18"	Composite	Black
1014857	Plastic Mudflap	24"x30"	0.18"	Composite	Black
1014858	Plastic Mudflap	24"x36"	0.18"	Composite	Black
1190299	Chevron Mudflap	24"x24"	0.25"	Rubber	Black
1190299-SP	Chevron Mudflap	24"x24"	0.25"	Rubber	Black
1190300	Chevron Mudflap	24"x30"	0.25"	Rubber	Black
1190300-SP	Chevron Mudflap	24"x30"	0.25"	Rubber	Black
1190301	Chevron Mudflap	24"x36"	0.25"	Rubber	Black
1190301-SP	Chevron Mudflap	24"x36"	0.25"	Rubber	Black
1190405	Plastic Mudflap	24"x30"	0.375"	Composite	Black
1218818	Plastic Mudflap	24"x18"	0.25"	Composite	White
F04827	Chevron Mudflap	24"x30"	0.25"	Composite	Black
F04829	Chevron Mudflap, Hybrid	24"x24"	0.25"	Composite	Black



033-08002



1014855

Mudflap Brackets

Part Number	Description	Length	Material	Color
HNDS-34886	Mudflap Bracket Kit	---	Steel	Black
HNDS-22428-8K	Spray Guard Mudflap Kit	48" - 54"	Steel	Black
1190291	Mudflap Hanger Bolting Plate	27.5"	Steel	Black
033-00864	Spring Loaded Shortie Bracket	27.5"	Stainless Steel	Black
033-00868	Frame Mount Bracket	30.25"	Stainless Steel	Black
033-04992	Hellcat Straight Spring Loaded Mudflap Bracket	30.62"	Stainless Steel	Black
033-04993	Hellcat Spring Loaded Mudflap Bracket	30.62"	Stainless Steel	Black
B673025NTBK	Angled Spring Loaded Mudflap Hangers	30.25"	Carbon Steel	Black



1190291



033-00864



033-04992

Dock Bumpers

Part Number	Description	Material	Width	Height	Depth	Weight	Hole	Color
BPCB5500	Dock Bumpers, Set of 2	Rubber	3"	6"	3.5"	5.4 lbs	2-Hole	Black
1149545	Dock Bumper	Rubber	3.75"	4.5"	5.75"	4.65 lbs	2-Hole	Black
1149548	Dock Bumper	Rubber	2.875"	6"	3.25"	2.31 lbs	2-Hole	Black
GT-2036	Dock Bumper	Rubber & Composite	5.25"	3.625"	8"	4.13 lbs	4-Hole	Black



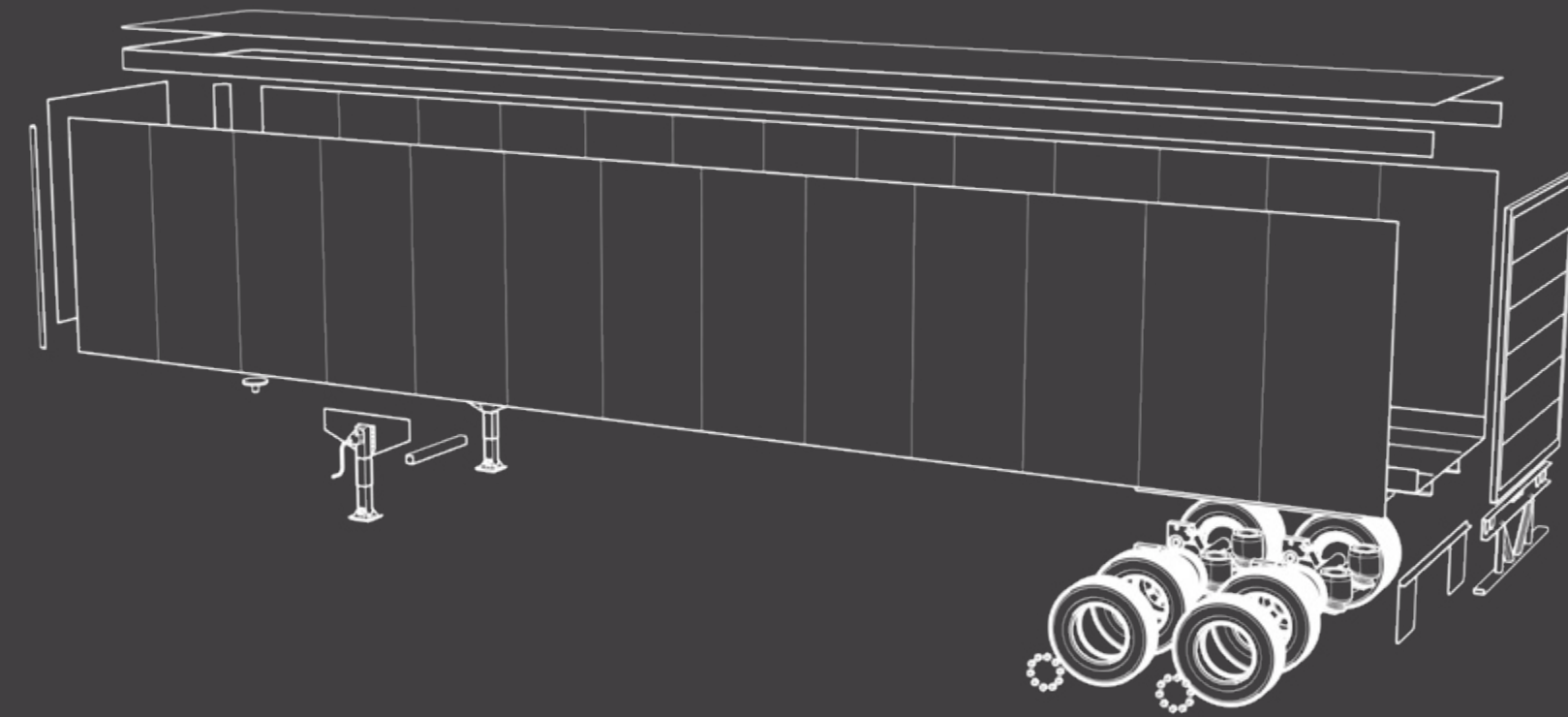
BPCB5500



1149548



**ROAD EQUIPMENT
PARTS CENTER**



Suspension



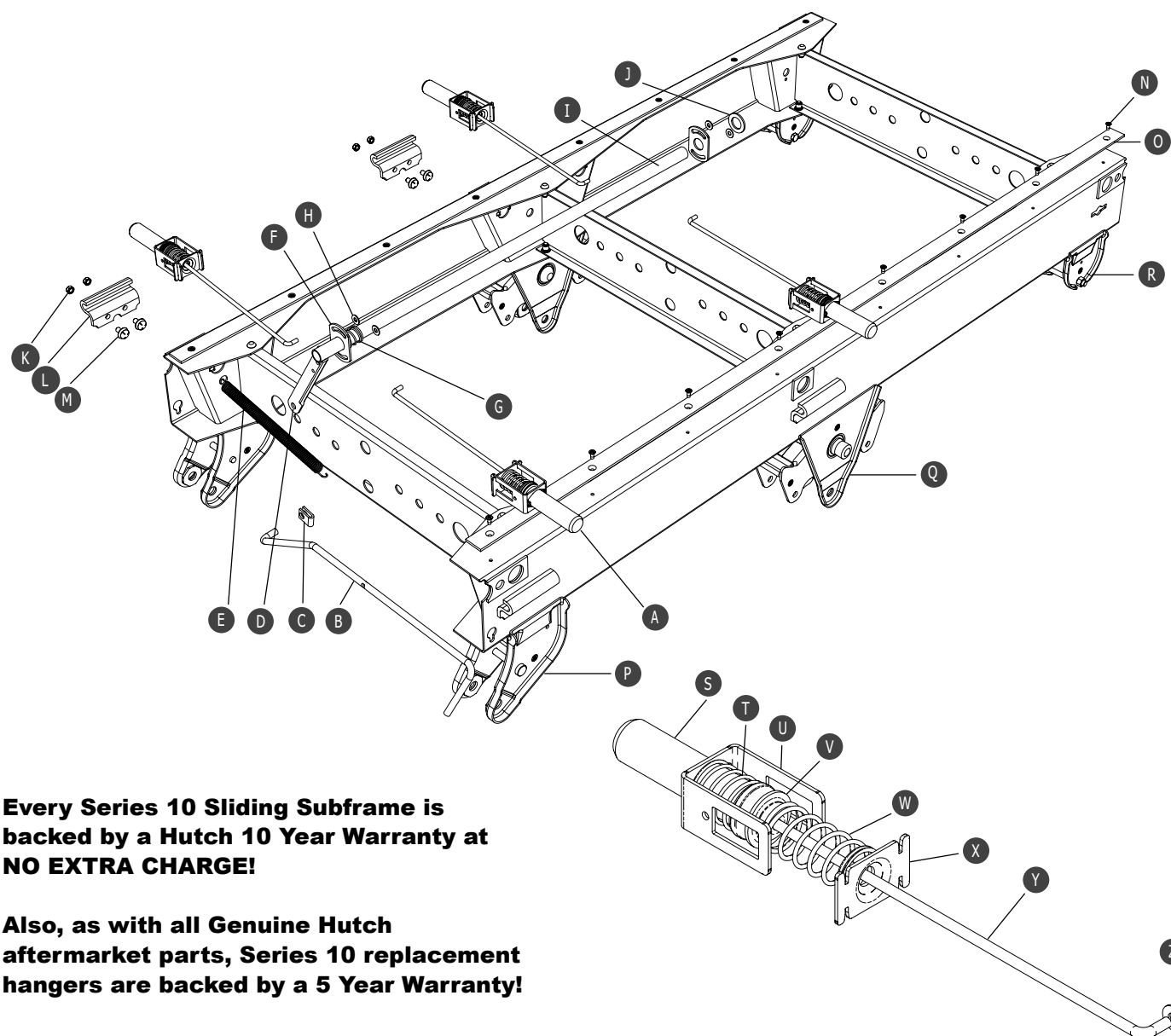
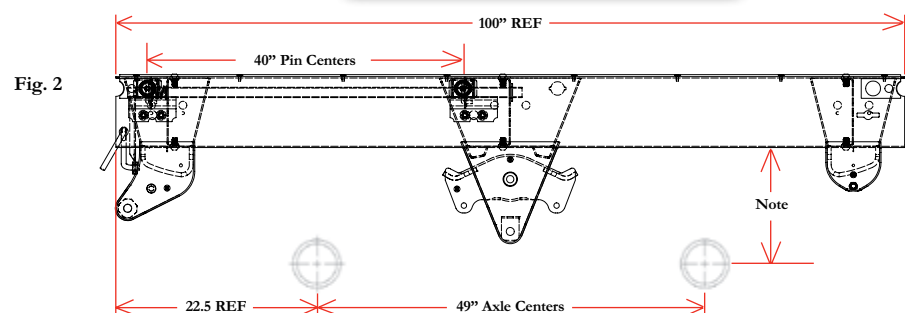
Series 10



49" Axle Spacing



Hutchens Industries
The Difference is Durability. The Quality is Hutchens.



Every Series 10 Sliding Subframe is backed by a Hutch 10 Year Warranty at NO EXTRA CHARGE!

Also, as with all Genuine Hutch aftermarket parts, Series 10 replacement hangers are backed by a 5 Year Warranty!

Complete Assemblies

Part Number	Description
HTH2841103SCLBK	Series 10 Van Slider 49 TA 48 FW Black Scharpf 9.50 HT

Hutchens Body Rails

- HTH1271309
Overall Length: 192"
 - HTH1271328
Overall Length: 208"
 - HTH1271314
Overall Length: 216"
 - HTH1271317
Overall Length: 240"
- Hole Size: 1.832" for 1-5/8"
Pins 4" Hole C-C

Series 10 Bill of Materials

Item	Part Number	Description
A	HTH2956001 HTH2956002	EZ Pull 2 Service Kit, See Chart A Below EZ Pull 2 Service Kit, See Charts A and B Below
B	HTH2738401	Pull Handle
C	HTH1140901	Handle Clip
D	HTH1922401	Crank
E	HTH801801 HTH801802	Spring-Helix, 12 GA x 1 PD x 8-5/8 for 42" Wide Spring-Helix, 12 GA x 1 PD x 10-1/8 for 48" Wide
F	HTH2817201	Cam, EZ Pull 2
G	HTH1806401	Compression Spring
H	HTH17700	Flat Washer, 3/8"
I	Contact Sales	Pipe, 1" Standard 50 LG
J	HTH922400	Washer, .173 x 1.38 x 2.25
K	HTH2869201	Hex Locknut, Coated, 1/2-20 UNF - 2B, GR B
L	HTH2028901	Hold Down Clip
M	Contact Sales	Round Head Short Square Neck Bolt and Washer Assembly, Zn Coated
N	HTH962700	Thread Form Screw
O	HTH1142132	Slider Pad, 99" LG
P	HTH2902401 HTH2902402	Front Hanger Series 10 w/ Rivet Left Half (Roadside) Front Hanger Series 10 w/ Rivet Right Half (Curbside)
Q	HTH2558901	Center Hanger/Rocker Assembly Series 10
R	HTH2557601 HTH2557602	Rear Hanger Series 10 Left Half (Roadside) Rear Hanger Series 10 Right Half (Curbside)

MAKE IT A COMPLETE SUSPENSION!

Includes: Fixed and Adjustable Torque Arms, U-Bolts, Spring Seats, Top Plates, Bottom Plates, and Hardware.

- HTH97T-OS-75
.75" Spring Seat Closeout Kit
- HTH97T-OS-1.25
1.25" Spring Seat Closeout Kit

Chart A - EZ Pull 2 Service Kit Part No. HTH2956001 48" Frame Width - Use roadside and curbside. 42" Frame Width - Use roadside only.

Item	Part Number	Description
S	HTH1881801TC	Lock Pin, 6.30 LG
T	Contact Sales	Pin Retraction Spring
U	Contact Sales	EZ Pull 2 Spring Cage
V	Contact Sales	Washer, SPCL
W	Contact Sales	Pin Engagement Spring
X	Contact Sales	Spring Cage Plate for No Weld Cage
Y	23334-01	Linkage Rod EZ Pull, 17.94 LG for 48" Wide
Z	HTH17700	Flat Washer, 3/8"

Note: Use this kit, with the 23334-01 linkage rod, on both the roadside and curbside of the 48" wide unit. Use this kit, with the 23334-01 linkage rod, on the roadside only of the 42" wide unit.

Chart B - EZ Pull 2 Service Kit Part No. HTH2956002 42" Frame Width - Use curbside only. Use the HTH2956001 roadside.

Item	Part Number	Description
S	HTH1881801TC	Lock Pin, 6.30 LG
T	Contact Sales	Pin Retraction Spring
U	Contact Sales	EZ Pull 2 Spring Cage
V	Contact Sales	Washer, SPCL
W	Contact Sales	Pin Engagement Spring
X	Contact Sales	Spring Cage Plate for No Weld Cage
Y	Contact Sales	Linkage Rod EZ Pull, 13.63 LG for 42" Wide
Z	HTH17700	Flat Washer, 3/8"

Note: The linkage rod in this kit will be used on the curbside only of the 42" wide unit. Call for the accurate part number.



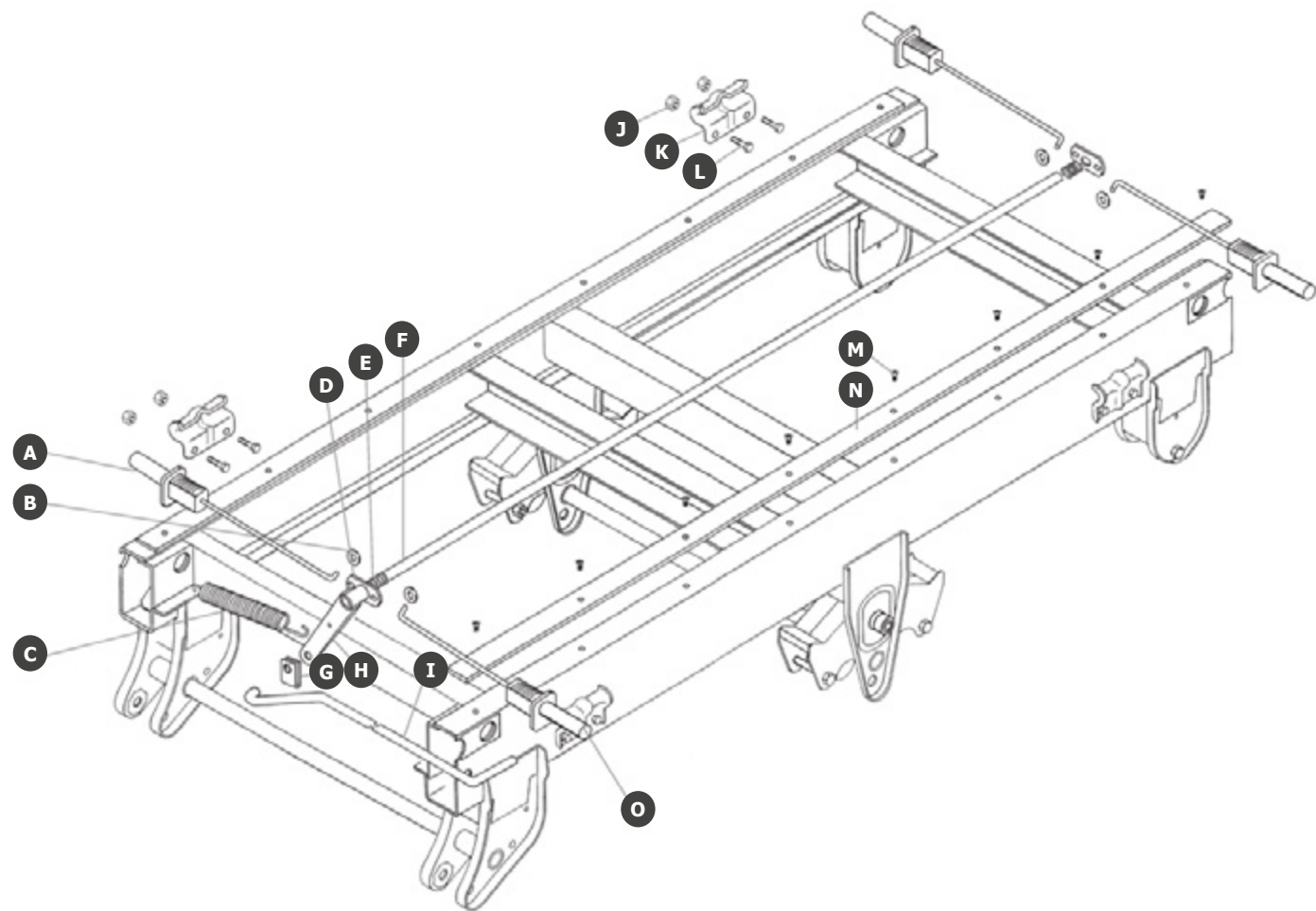
H9800



49" Axle Spacing



Hutchens Industries
The Difference is Durability. The Quality is Hutchens.



Complete Assemblies

Part Number	Description
HTH2908303	Slider 8.5 OAH Tandem, 48" Frame Width with EZ Pull 2
HTH2908301	Slider 8.5 OAH Tandem, 42" Frame Width with EZ Pull 2
HTH2909003	Slider 10.5 OAH Tandem, 48" Frame Width with EZ Pull 2
HTH2909001	Slider 10.5 OAH Tandem, 42" Frame Width with EZ Pull 2

Hutchens Body Rails

- HTH1271309
Overall Length: 192"
 - HTH1271328
Overall Length: 208"
 - HTH1271314
Overall Length: 216"
 - HTH1271317
Overall Length: 240"
- Hole Size: 1.832" for 1-5/8" Pins 4" Hole C-C

H9800 Bill of Materials

Item	Part Number	Description
A	HTH2956001 HTH2956002	EZ-Pull 2 Pin Kit Subassembly, 42" Frame Width EZ-Pull 2 Pin Kit Subassembly, 48" Frame Width
B	HTH17700	Washer, 3/8", Type A
C	HTH801802	Spring, Helix, 12 GA x 1 PD x 10-1/8"
D	HTH802800	Cam, Puller Kit
E	HTH1806401	Compression Spring
F	Contact Sales	Pipe, 1" STD x 95"
G	HTH1140901	Handle Clip
H	HTH1922401	Crank
I	HTH1946801	Pull Handle, 34.57" LG
J	HTH3301	Hex Lock Nut, 1/2", 20 UNF - 2B, GRB
K	HTH2028901	Hold Down Clip
L	HTH804000	Hex Bolt, 1/2", 20 UNF x 1-1/4" LG, GR5
M	HTH962700	Thread Form Screw, 5/16"-18 x 3/4", CSHD
N	HTH1142101	Slider Pad, UHMW, 1/4" x 2" x 96"
O	Contact Sales	EZ-Pull 2 Pin Kit Subassembly

MAKE IT A COMPLETE SUSPENSION!

- Includes: Fixed and Adjustable Torque Arms, U-Bolts, Spring Seats, Top Plates, Bottom Plates, and Hardware.
- HTH97T-OS-75
.75" Spring Seat Closeout Kit
- HTH97T-OS-1.25
1.25" Spring Seat Closeout Kit

Chart A - EZ Pull 2 Service Kit Part No. HTH2956001 48" Frame Width - Use roadside and curbside. 42" Frame Width - Use roadside only.

Item	Part Number	Description
S	HTH1881801TC	Lock Pin, 6.30 LG
T	Contact Sales	Pin Retraction Spring
U	Contact Sales	EZ Pull 2 Spring Cage
V	Contact Sales	Washer, SPCL
W	Contact Sales	Pin Engagement Spring
X	Contact Sales	Spring Cage Plate for No Weld Cage
Y	23334-01	Linkage Rod EZ Pull, 17.94 LG for 48" Wide
Z	HTH17700	Flat Washer, 3/8"

Note: Use this kit, with the 23334-01 linkage rod, on both the roadside and curbside of the 48" wide unit. Use this kit, with the 23334-01 linkage rod, on the roadside only of the 42" wide unit.

Chart B - EZ Pull 2 Service Kit Part No. HTH2956002 42" Frame Width - Use curbside only. Use the HTH2956001 roadside.

Item	Part Number	Description
S	HTH1881801TC	Lock Pin, 6.30 LG
T	Contact Sales	Pin Retraction Spring
U	Contact Sales	EZ Pull 2 Spring Cage
V	Contact Sales	Washer, SPCL
W	Contact Sales	Pin Engagement Spring
X	Contact Sales	Spring Cage Plate for No Weld Cage
Y	Contact Sales	Linkage Rod EZ Pull, 13.63 LG for 42" Wide
Z	HTH17700	Flat Washer, 3/8"

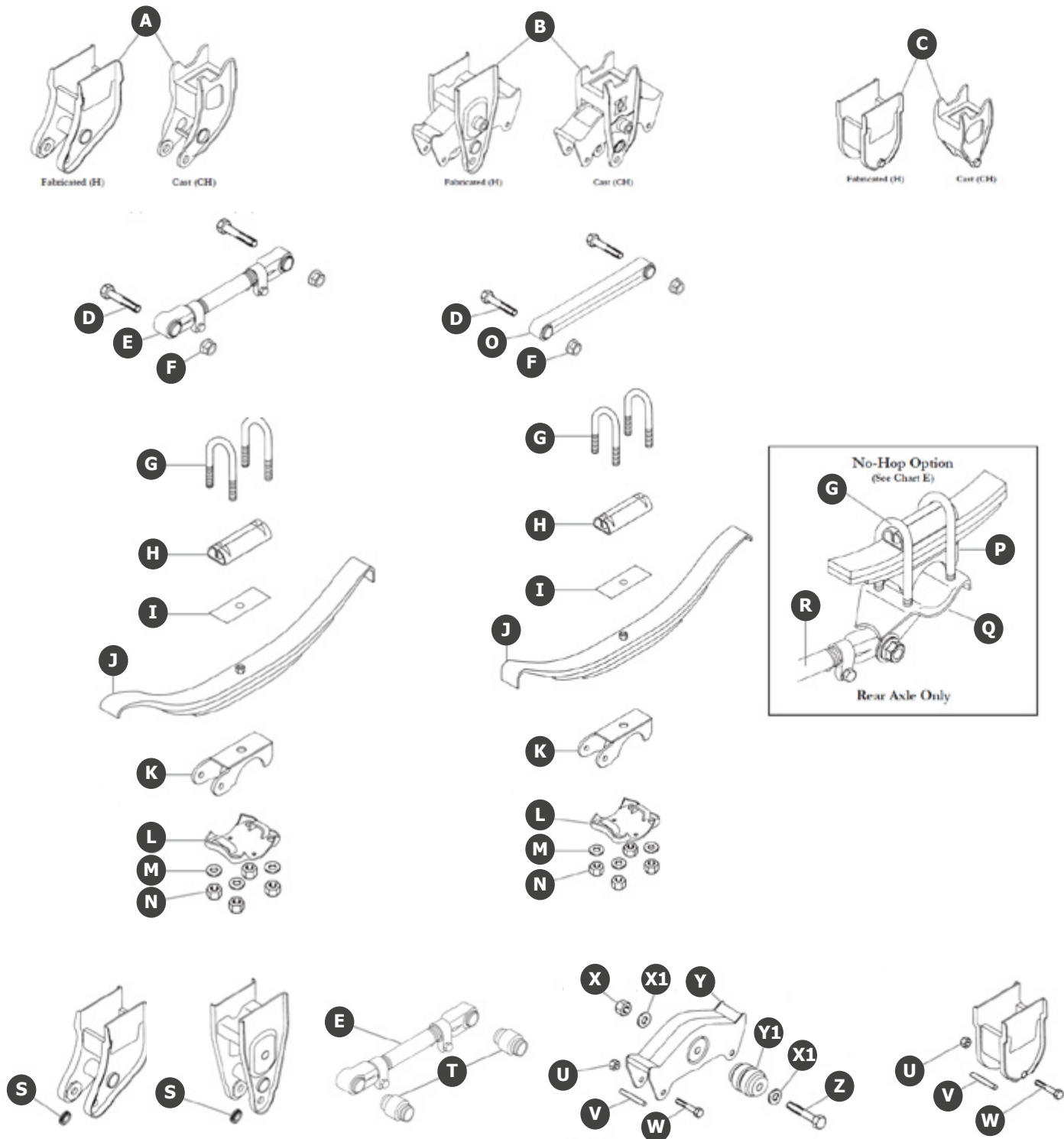
Note: The linkage rod in this kit will be used on the curbside only of the 42" wide unit. Call for the accurate part number.



H9700 - Overslung



49" Axle Spacing



H9700 - Overslung Bill of Materials

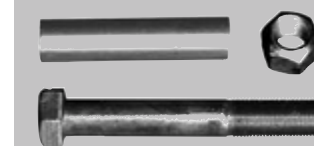
Item	Part Number	Description
A	See Chart A, pg. 188	Front Spring Hanger
B	See Chart A, pg. 188	Center Rocker Hanger Assembly
C	See Chart A, pg. 188	Rear Spring Hanger Assembly
D	HTH2869901	Hex Cap Screw-Coated, 1-8 UNC-2A x 5.00 LG, GR8
E	HTH1639804	Radius Rod w/ Bushing, 19.25 LG, Adjustable 18.50-21 LG
F	HTH2869601	Flange Locknut, Coated, 1-8 UNC-2B, GRF
G	See U-Bolts, pg. 230	U-Bolt, Standard 7/8" U-Bolt
H	HTH168601	Top Plate
I	HTH1735001	Galvanized Liner
J	See Springs, pg. 241	Spring Assembly, Standard 3-Leaf
K	See Chart B, pg. 188	Spring Seat, 5" Round
L	See Chart F, pg. 188	Bottom Plate, 5" Round
M	HTH3500 HTH81700	Washer, PL, 15/16" ID x 1-3/4" OD (For Std. 7/8" U-Bolt) Washer, 1/8" X 13/16" ID x 1-1/2" OD (For Optional 3/4" U-Bolt)
N	HTH3404 HTH1630301	Hex Nut, 7/8"-14 UNF (For Std. 7/8" U-Bolt) Hex Nut, 3/4"-16 UNF (For Optional 3/4" U-Bolt)
O	HTH71500	Non-Adj. Radius Rod w/ Rubber Bushing, 19.25 LG
P	See Chart E, pg. 188	Spring Seat (Replaces Rear Spring Seat Only)
Q	See Chart E, pg. 188	Attach Fitting (Replaces Rear Bottom Plate Only)
R	See Chart E, pg. 188	Adj. Radius Rod w/ Bushing (Replaces 1 Adj. & Non-Adj. Radius Rod on Rear Axle)
S	HTH771701	Washer Bushing
T	HTH72200	Radius Rod Bushing Only, 3" LG
U	HTH37-03	Hex Lock Nut, 5/8"-18 UNF, GRB
V	HTH75600	Sleeve Spacer, 3/4" OD x 18 GA x 3-1/4" LG
W	Contact Sales	Hex Bolt, 5/8"-18 UNF x 4-1/2 LG, GR2
X	HTH1115400	Hex Lock Nut, 1-1/8"-7 UNC, GR5
X1	Contact Sales	Washer, 1/8" x 1-1/4 ID x 2-1/4 OD
Y	HTH1615801 HTH1778401	Fabricated Rocker Assembly w/ Bushing Cast Rocker Assembly w/ Bushing
Y1	HTH1872301	Rocker Bushing Only, Rubber
Z	Contact Sales	Hex Cap Screw, 1-1/8"-7 UNV x 6.62" LG, GR5
Z1	HTH1635301	Rocker Replacement Bolt Kit (See Breakout)

Note: Boxed Kits are available on page 189.

Chart, Q-S: Bolt Rebound Kit

HTH1028710C

Bolt Rebound Kit Consisting of Hex Lock Nut, Spacer & Hex Bolt



Chart, Z1: Rocker Replacement Bolt Kit

HTH1635301

Single Bolt Kit Consisting of Rocker Bolt, Nut, & Rebound Nut Assembly





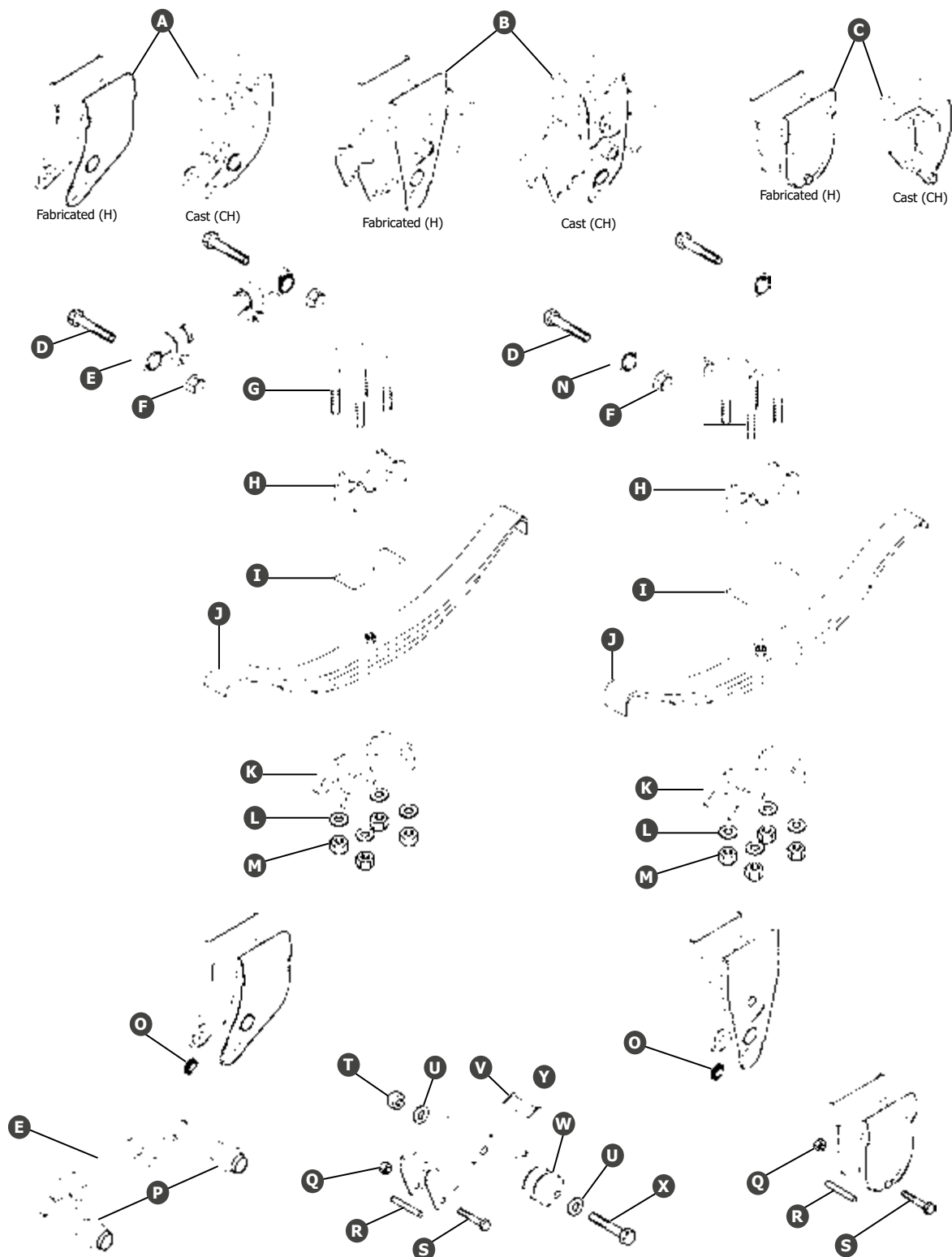
H9700 - Underslung



49" Axle Spacing



Hutchens Industries
The Difference is Durability. The Quality is Hutchens.



H9700 - Underslung Bill of Materials

Item	Part Number	Description
A	See Chart A, pg. 188	Front Spring Hanger
B	See Chart A, pg. 188	Center Rocker/Rocker Hanger Assembly
C	See Chart A, pg. 188	Rear Spring Hanger Assembly
D	HTH2869901	Radius Rod Bolt, Hex Bolt, 1-8 UNS x 5"
E	HTH1639804	Radius Rod w/ Bushing, 19.25 LG
F	HTH2869601	Flange Locknut, 1-8 UNS, GRF, Phosphate & Oil
G	See U-Bolts, pg. 230	U-Bolt, Standard 7/8" U-Bolt
H	See Chart D, pg. 188	Spring Seat, 5" Round
I	17350-02	Galvanized Liner
J	See Springs, pg. 241	Spring Assembly, Standard 3-Leaf
K	HTH70601	Bottom Plate Att., Cast
L	HTH3500	Washer, PL, 15/16 ID x 1-3/4 OD (For Std. 7/8" U-Bolt)
M	HTH3404	Hex Nut, 7/8"-14 UNF (For Std. 7/8" U-Bolt)
N	HTH71500	Non-Adj. Radius Rod w/ Rubber Bushing
O	HTH771701	Washer Bushing, 1" OD x 1-3/4" ID, .344" Thick
P	HTH72200	Radius Rod Bushing Only, 3" LG
Q	HTH37-03	Hex Lock Nut, 5/8"-11, GRB (See Breakout)
R	HTH75600	Sleeve Spacer, 3/4 OD x 18 GA x 3-1/4 LG (See Breakout)
S	Contact Sales	Hex Bolt, 5/8"-11 x 4-1/2 LG, GR2 (See Breakout)
T	HTH1115400	Hex Lock Nut, 1-1/8"-7 UNC, GR5
U	Contact Sales	Washer, 1/8" x 1-1/4 ID x 2-1/4 OD
V	HTH1615801 HTH1778401	Fabricated Rocker Assembly w/ Rubber Bushing Cast Rocker Assembly w/ Rubber Bushing (Not Shown)
W	HTH1872301	Rocker Bushing Only, Rubber
X	Contact Sales	Hex Cap Screw, 1-1/8"-7 UNC x 6.62" LG, GR5
Y	HTH1635301	Rocker Replacement Bolt Kit (See Breakout)

Note: Boxed Kits are available on page 189.

Hutchens Body Rails

HTH1271309

Overall Length: 192"

HTH1271328

Overall Length: 208"

HTH1271314

Overall Length: 216"

HTH1271317

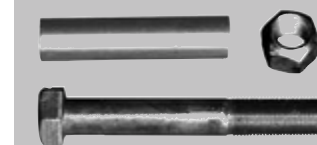
Overall Length: 240"

Hole Size: 1.832" for 1-5/8"
Pins 4" Hole C-C

Chart, Q-S: Bolt Rebound Kit

HTH1028710C

Bolt Rebound Kit Consisting of Hex Lock Nut, Spacer & Hex Bolt



Chart, Y: Rocker Replacement Bolt Kit

HTH1635301

Single Bolt Kit Consisting of Rocker Bolt, Nut, & Rebound Nut Assembly





Charts

H9700 Boxed Kits

Description	Str/mt	Un/mt	Un/mt (I-Beam)	Si/mt	Fl/mt/wo	Fl/mt/bo
Front Hgr., Fab. (H)	HTH770101	HTH2072801	HTH1648101	HTH2072901 HTH2073001	HTH770105 HTH770106	HTH770107 HTH770108
Front Hgr., Cast (CH)	HTH70201	HTH1629103 HTH1629104	NA	HTH1629103 HTH1629104	HTH70209 HTH70210	HTH70211 HTH70212
Rocker & Hgr. Assy., Fab. (H)	HTH1631901	HTH1631902	HTH1631902	HTH1631904	HTH1631908	HTH1631907
Rocker & Hgr. Assy., Cast (CH)	HTH1631951	HTH1631952	HTH1631952	HTH1631952	HTH1631958	HTH1631957
Rocker Hgr. Only, Fab. (H)	HTH1616901	HTH1617101	HTH1617101	HTH1617501	HTH1617901	HTH1617801
Rocker Hgr. Only, Cast (CH)	HTH1619603	HTH1619703	HTH1619703	HTH1619703	HTH1619905	HTH1619903
Rear Hgr. Assy., Fab. (H)	HTH770301	HTH2073201	HTH1648301	HTH2073301 HTH2073401	HTH770305 HTH770306	HTH770307 HTH770308
Rear Hgr. Assy., Cast (CH)	HTH71201	HTH162901 HTH1629302	NA	HTH1629301 HTH1629302	HTH71209 HTH71210	HTH71211 HTH71212

See Pg. 190 for Abbreviations

Description	3/4"	1-1/4"	1-3/4"	2-1/4"	2-3/4"	3-1/4"	3-3/4"	4-1/4"	4-3/4"
5" Round	HTH1936001	HTH1936002	HTH1936003	HTH1936004	HTH1936005	HTH1936006	HTH1936007	HTH1936008	HTH1936009
5"x5" Square	HTH1936501	HTH1936502	HTH1936503	HTH1936504	HTH1936505	HTH1936506	HTH1936507	HTH1936508	HTH1936509
4"x6" Rectangle	HTH1936401	HTH1936402	HTH1936403	HTH1936404	HTH1936405	HTH1936406	HTH1936407	HTH1936408	HTH1936409

Seat Height	Single Leaf Spring	Length	2-Leaf Spring	Length	3-Leaf Spring	Length	7-Leaf Spring	Length	8-Leaf Spring	Length
3/4	Contact Sales	9-3/4	Contact Sales	10-1/4	Contact Sales	10-3/4	Contact Sales	11-3/4	HTH704011	12-1/4
1-1/4	Contact Sales	10-1/4	Contact Sales	10-3/4	HTH704009	11-1/4	HTH704011	12-1/4	Contact Sales	12-3/4
1-3/4	Contact Sales	10-3/4	HTH704009	11-1/4	Contact Sales	11-3/4	Contact Sales	12-3/4	HTH704013	13-1/4
2-1/4	HTH704009	11-1/4	Contact Sales	11-3/4	HTH704011	12-1/4	HTH704013	13-1/4	Contact Sales	13-3/4
2-3/4	Contact Sales	11-3/4	HTH704011	12-1/4	Contact Sales	12-3/4	Contact Sales	13-3/4	HTH704015	14-1/4
3-1/4	HTH704011	12-1/4	Contact Sales	12-3/4	HTH704013	13-1/4	HTH704015	14-1/4	Contact Sales	14-3/4
3-3/4	Contact Sales	12-3/4	HTH704013	13-1/4	Contact Sales	13-3/4	Contact Sales	14-3/4	Contact Sales	15-1/4
4-1/4	HTH704013	13-1/4	Contact Sales	13-3/4	HTH704015	14-1/4	Contact Sales	15-1/4	Contact Sales	15-3/4
4-3/4	Contact Sales	13-3/4	HTH704015	14-1/4	Contact Sales	14-3/4	Contact Sales	15-3/4	Contact Sales	16-1/4

See Pg. 230 for Standard U-Bolt Sizes

Description	3/4"	1-1/4"	1-3/4"	2-1/4"	2-3/4"	3-1/4"	3-3/4"	4-1/4"	4-3/4"
5" Round	HTH2221501	HTH2221502	HTH2221503	HTH2221504	NR	---	---	---	---
5"x5" Square	HTH2222601	HTH2222602	HTH2222603	HTH2222604	NR	---	---	---	---

Seat Height	Single Leaf Spring	Length	2-Leaf Spring	Length	3-Leaf Spring	Length	7-Leaf Spring	Length	8-Leaf Spring	Length
3/4	Contact Sales	9-3/4	Contact Sales	10-1/4	Contact Sales	10-3/4	Contact Sales	11-3/4	HTH704011	12-1/4
1-1/4	Contact Sales	10-1/4	Contact Sales	10-3/4	HTH704009	11-1/4	HTH704011	12-1/4	Contact Sales	12-3/4
1-3/4	Contact Sales	10-3/4	HTH704009	11-1/4	Contact Sales	11-3/4	Contact Sales	12-3/4	HTH704013	13-1/4
2-1/4	HTH704009	11-1/4	Contact Sales	11-3/4	HTH704011	12-1/4	HTH704013	13-1/4	Contact Sales	13-3/4

Axle Size	Part No.
5" Round with 7/8" Diameter U-Bolts	HTH71000
5" Round with 3/4" Diameter U-Bolts	HTH1629701
5"x5" Square	HTH774701
4"x6" Rectangle	HTH774600

Part Number	Axle Connection	Hanger Type	Axle Spacing	Single / MAC	Spring Seat	U-Bolt Length
HTH97S-FL	Overslung	Flange Mount	49"	Single	.75"	11.25"
HTH97S-ST	Overslung	Straddle Mount	49"	Single	.75"	11.25"
HTH97S-UM	Overslung	Undermount	49"	Single	.75"	11.25"
HTH97S-UM-1.25	Overslung	Undermount	49"	Single	1.25"	12.25"
HTH97S-UM-1.75	Overslung	Undermount	49"	Single	1.75"	12.25"
HTH97S-UM-2.25	Overslung	Undermount	49"	Single	2.25"	12.25"
HTH97S-UM-2.75	Overslung	Undermount	49"	Single	2.75"	13.25"

Part Number	Axle Connection	Hanger Type	Axle Spacing	Single / MAC	Spring Seat	U-Bolt Length
HTH97M-FL	Overslung	Flange Mount	49"	MAC	.75"	11.25"
HTH97M-ST	Overslung	Straddle Mount	49"	MAC	.75"	11.25"
HTH97M-UM	Overslung	Undermount	49"	MAC	.75"	11.25"
HTH97M-UM-61	Overslung	Undermount	61"	MAC	.75"	12.25"
HTH97M-UM-1.25	Overslung	Undermount	49"	MAC	1.25"	12.25"
HTH97M-UM-1.75	Overslung	Undermount	49"	MAC	1.75"	12.25"
HTH97M-UM-54.5	Overslung	Undermount	54.5"	MAC	2.25"	12.25"
HTH97M-UM-2.75	Overslung	Undermount	49"	MAC	2.75"	13.25"

Part Number	Axle Connection	Hanger Type	Axle Spacing	Single / MAC	Spring Seat	U-Bolt Length
HTH97S-US-IB	Underslung	I-Beam Mount	49"	Single	.75"	12.25"
HTH97S-US-ST	Underslung	Straddle Mount	49"	Single	.75"	12.25"
HTH97S-USUM42.5	Underslung	Undermount	42.5"	Single	.75"	75.25"
HTH97S-US-UM	Underslung	Undermount	61"	Single	.75"	12.25"

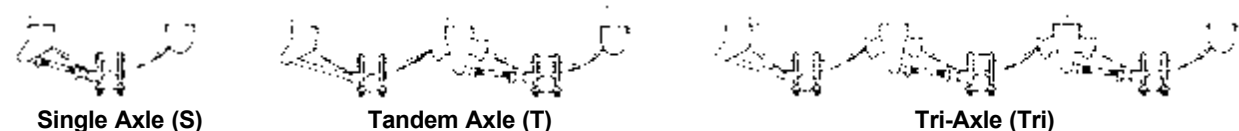
Part Number	Axle Connection	Hanger Type	Axle Spacing	Single / MAC	Spring Seat	U-Bolt Length
HTH97M-US-ST-52	Underslung	Straddle Mount	52"	MAC	.75"	12.25"
HTH97M-US-UM	Underslung	Undermount	49"	MAC	.75"	12.25"
HTH97M-US-UM-61	Underslung	Undermount	61"	MAC	.75"	75.25"
HTH97M-US-UM-64	Underslung	Undermount	64"	MAC	.75"	12.25"



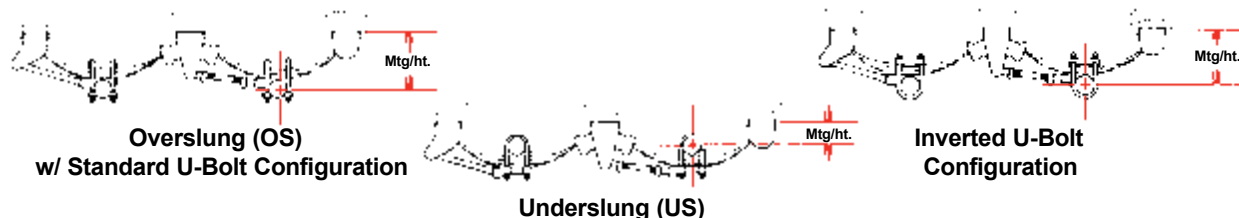
Common Abbreviations

Abbreviation	Meaning
Str/mt	Straddle Mount
Un/mt	Under Mount
Un/mt (I-Beam)	Under Mount (I-Beam)
Si/mt	Side Mount
Fl/mt/wo	Flange Mount, Weld-On
Fl/mt/bo	Flange Mount, Bolt-On

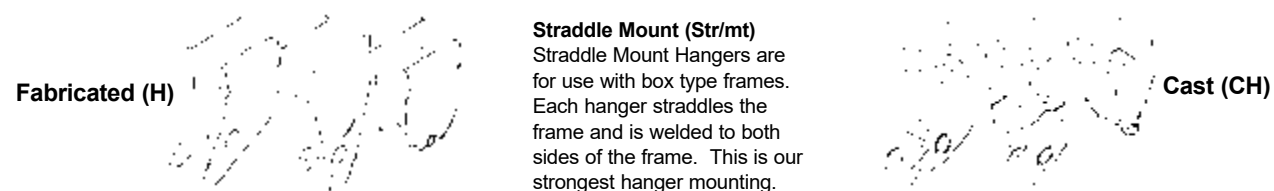
The 9700 Series suspensions are available in single, tandem and multi-axle configurations.



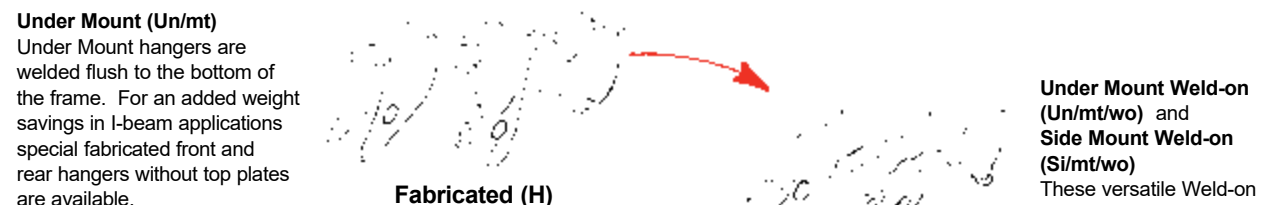
In addition to the standard overslung configuration, an underslung configuration is available for reduced mounting heights. Mounting height (Mtg/ht) is the distance from the center line of the axle to the top of the spring hangers.



The standard 9700 Series suspensions have U-bolts that point downward (threads and nuts below the axle). However, a model is available with inverted U-bolts (threads and nuts above the axle).

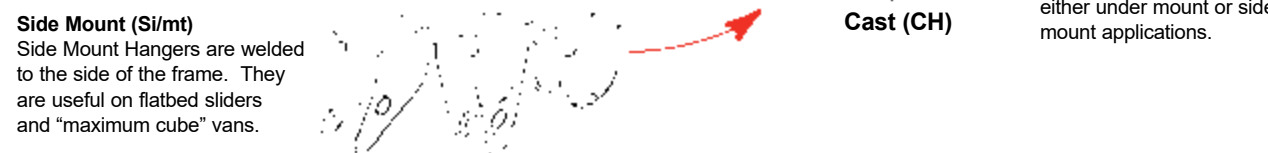


Straddle Mount (Str/mt)
Straddle Mount Hangers are for use with box type frames. Each hanger straddles the frame and is welded to both sides of the frame. This is our strongest hanger mounting.

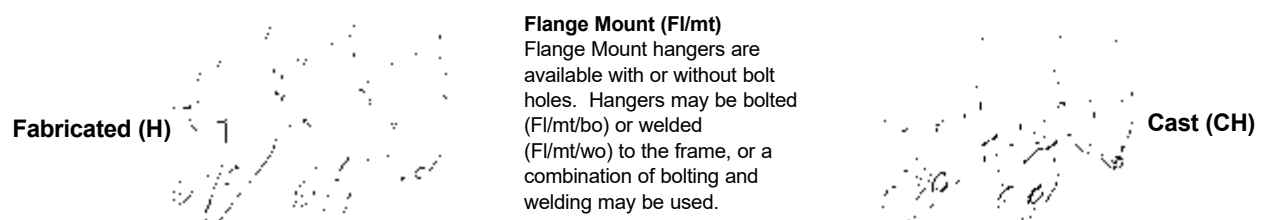


Under Mount (Un/mt)
Under Mount hangers are welded flush to the bottom of the frame. For an added weight savings in I-beam applications special fabricated front and rear hangers without top plates are available.

Under Mount Weld-on (Un/mt/wo) and Side Mount Weld-on (Si/mt/wo)
These versatile Weld-on hangers can be used for either under mount or side mount applications.



Side Mount (Si/mt)
Side Mount Hangers are welded to the side of the frame. They are useful on flatbed sliders and "maximum cube" vans.



Flange Mount (Fl/mt)
Flange Mount hangers are available with or without bolt holes. Hangers may be bolted (Fl/mt/bo) or welded (Fl/mt/wo) to the frame, or a combination of bolting and welding may be used.

RAR215



Complete Assemblies

Part Number	Description
2150202	Suspension Truck Lift 22.5K, 8-12" Ride Height for Drum Brake Only, Non-Steer
2150204	Suspension Truck Lift 22.5K, 10-14" Ride Height for Drum Brake Only, Non-Steer
2150311	Suspension Trailer Air Lift, 22K, 10-12" Ride Height, Air Up/Down
2150321	Suspension Trailer Air Left, 22.5K, 12-14" Ride Height, Air Up/Down
2150331	Suspension Trailer Air, 22.5K, 14-16" Ride Height, Air Up/Down
2150342	Suspension Trailer Air, 22.5K, 16-18" Ride Height, Air Up/Down

Pivot Bushing Kit 6040128
Single Bolt Kit Consisting of Rocker Bolt, Nut, & Rebound Nut Assembly

RAR215 Common Components - Truck

Suspension Model	Roadside Hanger	Curbside Hanger	Roadside Lift Air Spring	Curbside Lift Air Spring	Air Spring Ride	1" Spacer Kit	2" Spacer Kit	Ride Height
2150202	3360112	3360113	RDW1002N09611G	RDW1002N09614G	Contact Sales	---	---	8-12"
2150204	3360112	3360113	RDW1002N09611G	RDW1002N09614G	1001R121202	6040167	6040168	10-14"

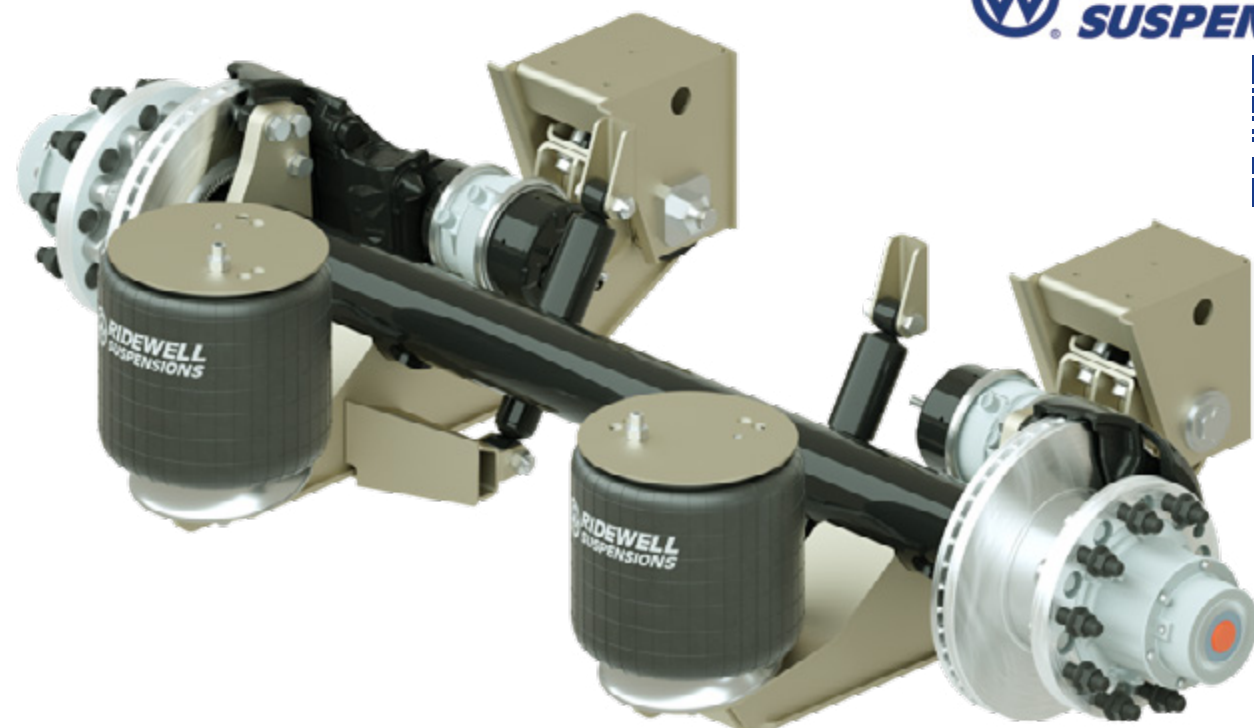
RAR215 Common Components - Trailer

Suspension Model	Roadside Hanger	Curbside Hanger	Roadside Lift Air Spring	Curbside Lift Air Spring	Air Spring Ride	Ride Height
2150311	3360114	3360115	RDW1002N09611G	RDW1002N09614G	1001R12653G	10-12"
2150321	3360118	3360119	RDW1002N09611G	RDW1002N09614G	1001R12653G	12-14"
2150342	3360120	3360121	RDW1002N09611G	RDW1002N09614G	1001R12653G	16-18"



RAR240

RAR260



Suspension | RideWell RAR240

Suspension | RideWell RAR260

Complete Assemblies

Part Number	Description
2400306	Underslung Suspension Trailer Air 25K, 6-7.5" Ride Height
2400308	Underslung Suspension Trailer Air 25K, 8-9" Ride Height
2400715	Overslung Suspension Trailer Air 25K, ADB Cap, 14-15" Ride Height
2400717	Overslung Suspension Trailer Air 25K, ADB Cap, 16-18" Ride Height

Pivot Bushing Kit 6040029
Single Bolt Kit Consisting of Rocker Bolt, Nut, & Rebound Nut Assembly

Complete Assemblies

Part Number	Description
2600208	Underslung Trailer Suspension Bushing Replacement Kit, 25K, 8-9" Ride Height
2600206	Underslung Trailer Suspension, 25K, 6-7.5" Ride Height
2600114	Overslung Trailer Suspension, 25K, 14-16" Ride Height
2600117	Overslung Trailer Suspension, 25K, 15-17" Ride Height

Pivot Bushing Kit 6040098
Single Bolt Kit Consisting of Rocker Bolt, Nut, & Rebound Nut Assembly

RAR240 Common Components

Suspension Model	Roadside Hanger	Curbside Hanger	Shock	Air Spring	Ride Height
2400306	3267744C106	3267744C206	GAB85934	1001R12692G	6-7.5"
2400308	3267744C108	3267744C208	GAB85934	1001R12607G	8-9"
2400614	3260056	3260057	GAB85934	1003589101C	11-14"
2400715	3267739C100	3267739C200	GAB85934	1001R13109G	14-16"
2400717	3267739C100	3267739C200	GAB85934	1001R13109G	16-18"

RAR260 Common Components

Suspension Model	LH Hanger	RH Hanger	Shock	Air Spring	Ride Height
2400206	3260180	3260181	GAB85000	1001R12692G	6-7.5"
2400208	3260182	3260183	GAB85000	1001R12607G	8-9"
2400114	3260186	3260187	GAB85000	1001R14250G	14-16"
2400117	3260196	3260197	GAB85000	1001R13109G	15-17"

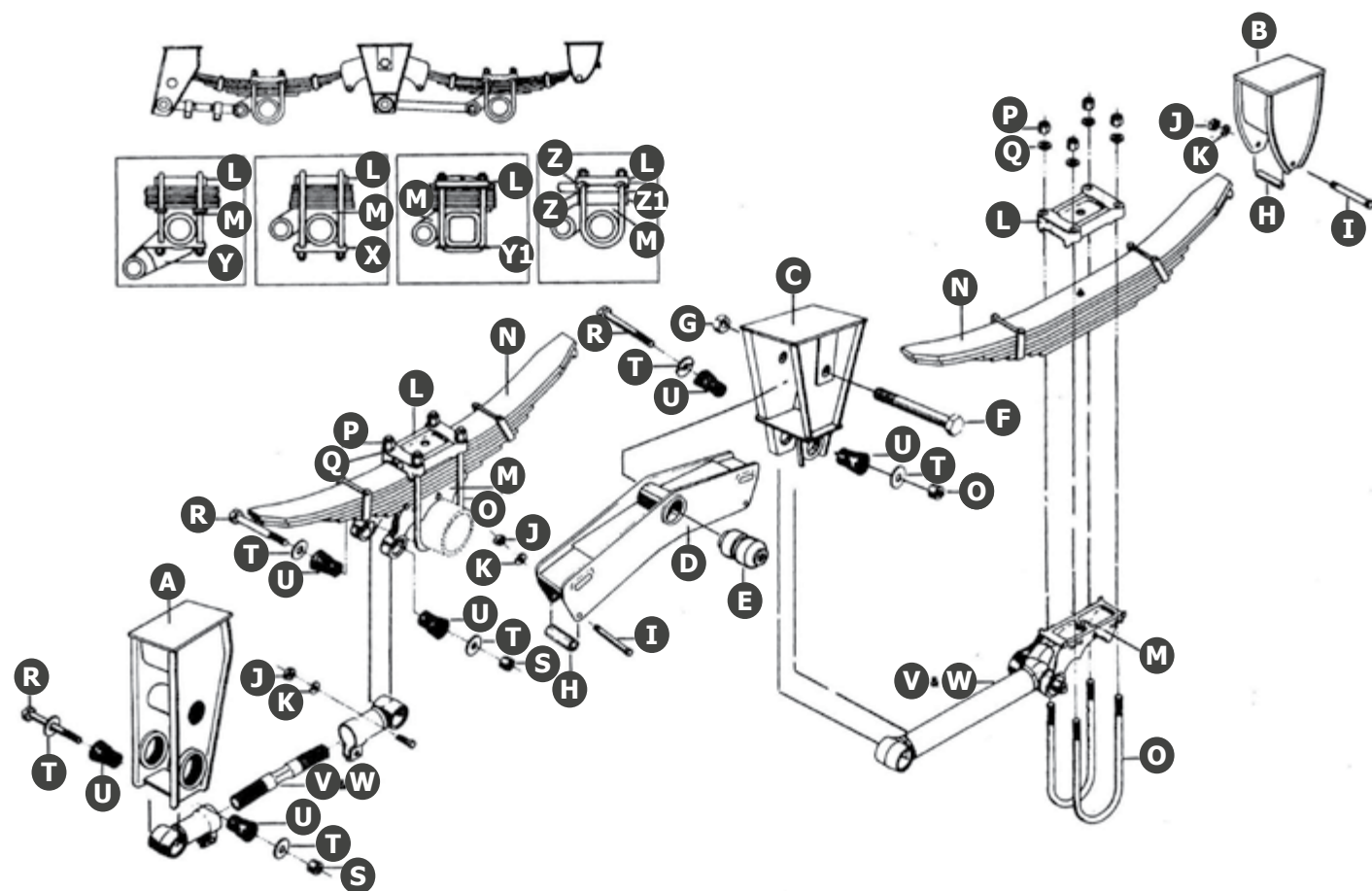


21B Fabricated



44" - 109"
Axle Spacing

**Reyco
Granning**
SUSPENSIONS



21B Fabricated Bill of Materials

Item	Part Number	Description
A	09832-01	Front Hanger, Undermount, Roadside/Curbside
B	08595-01	Rear Hanger, Undermount, Roadside/Curbside
C	14684-01	Equalizer Bracket, Undermount
D	21693-01	Equalizer Assembly, 44"
E	14682-01	Equalizer Bushing
F	14683-01	Equalizer Shaft
G	08914-01	Equalizer Shaft Nut
H	T2106	Spring Roller
I	T5544	Cap Screw, 1/2" x 4-3/4"
J	T1704	Hex Nut, 1/2"
K	T1705	Lockwasher, 1/2"
L	Contact Sales Contact Sales Contact Sales T1734	Top Plate, All Axles Top Plate, 5" Round Top Plate, 4"x6" Axle Top Plate, 5"x5" Axle
M	0973001 0798001 Contact Sales Contact Sales	Axle Seat, 5" Round Axle Seat, 4"x6" Axle Axle Seat, 5"x5" Axle Axle Seat, 5" Round, 3/4" High
N	See Springs, pg. 241	Spring
O	See U-Bolts, pg. 230	U-Bolts
P	14344-01	U-Bolt Nut, 3/4"
Q	Contact Sales	U-Bolt Washer, 3/4"
R	T5492	Torque Arm Bolt
S	T5495	Locknut
T	T2224	Torque Arm Compression Washer
U	T5493	Torque Arm Bushing
V	0856701 Contact Sales	Torque Arm Assembly, Front-Rigid, 44" Torque Arm Assembly, Rear-Rigid, 44"
W	1517101 Contact Sales	Torque Arm Assembly, Front-Adjustable, 44" Torque Arm Assembly, Rear-Adjustable, 44"
X	0538-00 Contact Sales Contact Sales	Bottom Plate, 5" Round Bottom Plate, 4"x6" Axle Bottom Plate, 5"x5" Axle
Y	T5727	Bottom Plate, 5" Round Underslung
Y1	T5727	Bottom Plate, 5"x5" Underslung
Z	T7716 T7654 T7655	Spacer Block, 1" Spacer Block, 1-1/2" Spacer Block, 2"
Z1	16810-00	Spring Liner, Galvanized

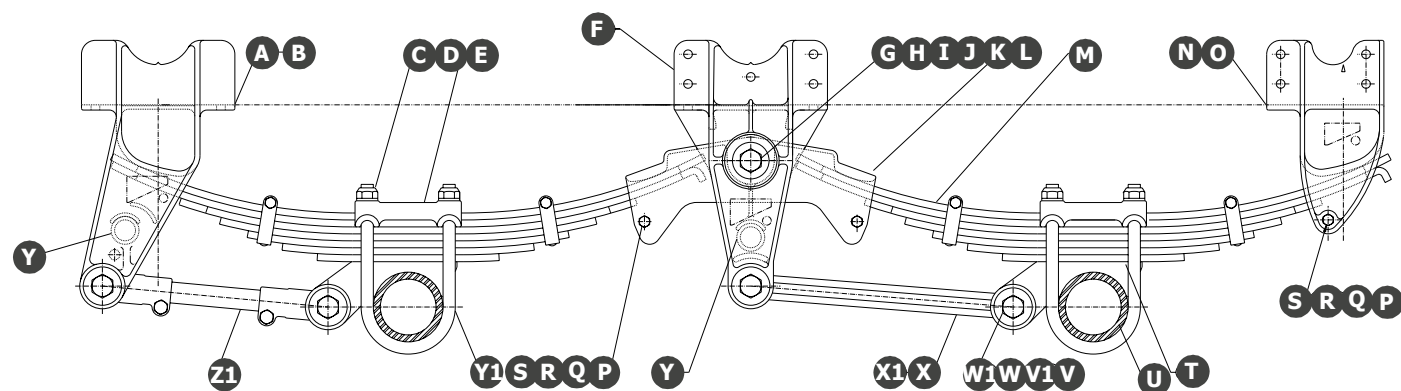


21B Cast



**44" - 60"
Axle Spacing**

**Reyco
Granning**
SUSPENSIONS



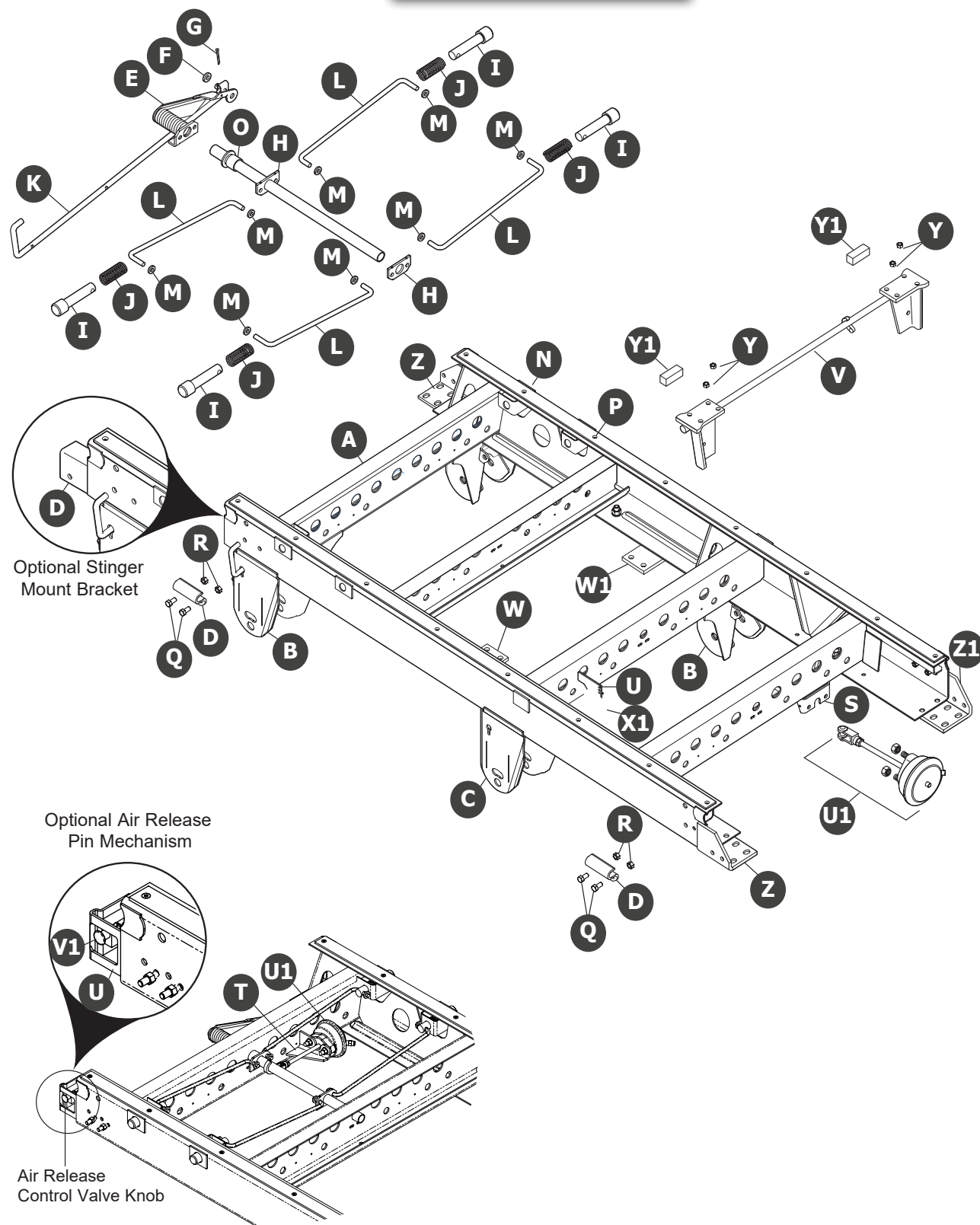
21B Cast Bill of Materials

Item	Part Number	Description
A	T5424	Front Hanger, Curbside
B	T5425	Front Hanger, Roadside
C	14344-01	Lock Nut, 7/8"
D	20852-01	Washer, 7/8"
E	Contact Sales	Top U-Bolt Plate
F	T5426	Center Hanger
G	1424801	Equalizer Bolt, 1"
H	1425001	Lockwasher, 1"
I	T1724	Equalizer Compression Washer
J	T5524	Equalizer Bearing
K	1424701	Equalizer Shaft
L	21725-01	Equalizer
M	See Springs, pg. 241	Spring
N	T5428	Rear Hanger, Curbside
O	T5429	Rear Hanger, Roadside
P	T5544	Cap Screw, 1/2" x 4-3/4"
Q	T1704	Hex Nut, 1/2"
R	T1705	Lockwasher, 1/2"
S	T2106	Spring Roller
T	0973001	Axle Seat, 3/4", 5" Round
U	Contact Sales	Axle
V	T5492	Torque Arm Bolt, 1"
V1	T5495	Lock Nut, 1"
W	T2224	Torque Arm Washer
W1	T5493	Torque Arm Bushing
X	1517801	Torque Arm Rigid, Front 16-1/4", Curbside
X1	1517901	Torque Arm Rigid, Rear 18-7/8", Curbside
Y	Contact Sales	Pipe Brace
Y1	See U-Bolts, pg. 230	U-Bolt
Z	1517201	Torque Arm, Front 16-1/4", Adjusts 16"-17"
Z1	1517301	Torque Arm, Rear 18-7/8", Adjusts 17"-19"



CBX40

42", 48", & 54"
Slider Width



CBX40 Bill of Materials

Item	Part Number	Description
A	Contact Sales	Slider System, CBX40
B	SAF90521742	Frame Bracket, Curbside
C	SAF90521743	Frame Bracket, Roadside
D	SAF90015150	Hold Down Bracket
E	SAFSL0A1277-01	Torsion Cam
F	SAFXB-PW-016-08	Washer, .41" ID x .81" OD
G	Contact Sales	Cotter Pin, .16" x 1.50"
H	SAFSL0A1274	Cam Plate
I	SAFSL0A1261 SAFSL0A1238	Pin, Step Lock, 1.63" x 6.38" Long (Hutch Style) Pin, Lock, 1.38" x 6.75" Long (All others)
J	SAFXB-SPG-02035	Spring, Compression
K	SAFSL0A1445-02 SAFSL0A1445-01	Arm, Pull 42" Slide Box Arm, Pull 48" Slide Box
L	Contact Sales	Arm Linkage, 18.08" for 42" Slide Box Arm Linkage, 15.08" for 48" Slide Box
M	SAFXB-PW-016-85	Washer, Flat .19" ID x .52" OD
N	SAFXB-SL0A1054	Lock, Slide
O	SAFSL0A523-07	Spacer, Tube 1.25"
P	Contact Sales	Screw, .32"-18 x .75" Flat HD
Q	Contact Sales	Cap Screw, Hex HD .50"-13 X 1.75" Long GR5
R	Contact Sales	Nut, Hex .50"-13 GRB
S	SAFSL0A1230	Bracket, Brake Chamber
T	SAF90026227	Bracket, Spring Brake
U	Contact Sales	Bracket, HCV Mounting
U1	SAF90548040	Spring Brake Service Chamber, Air Release Pin Mechanism Spring Brake Service Chamber, PosiLok
V	Contact Sales	PosiLok, 42" Wide Slide PosiLok, 48" Wide Slide PosiLok, 54" Wide Slide
V1	SAF93800329	Connector, Male Push Connect
W	Contact Sales	Bracket, Air Tank Mounting
W1	Contact Sales	Bracket, Air Tank Mounting
X	Contact Sales	Channel, Stinger Mounting
X1	See Chart A	Height Control Valve
Y	Contact Sales	Nut, Hex .5-13 GRB Plain
Y1	Contact Sales	Block
Z	Contact Sales	Angle, Formed
Z1	Contact Sales	Angle, Formed

SAF Holland Body Rails

- SAFSL0854-05**
Length: 248", Binkley, Painted
 - SAFSL0854-20**
Length: 296", Binkley, Painted
 - SAFSL0A1203-13**
Length: 216", Great Dane, Painted
- Hole Size: 1.56" for 1-3/8" Pins
6" Hole C-C

Chart A: Height Control Valve (HCV)

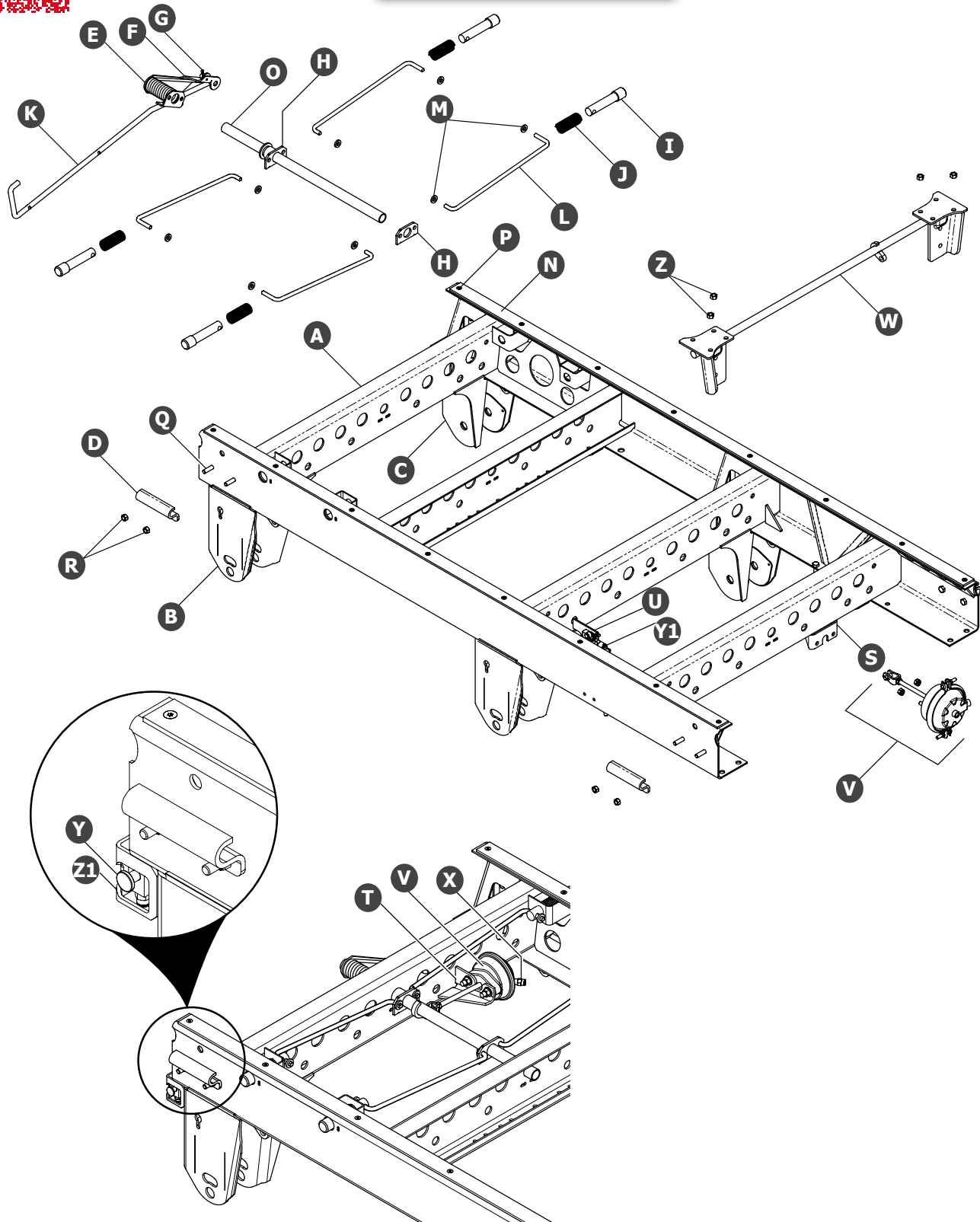
Description	Part Number	Weight (lbs)
Max-Valve HCV, Non-Dump	50860013	1.90
Max-Valve HCV, Pressure Dump	50860014	2.10
Max-Valve HCV, Zero Pressure Dump Normal Flow	50860015	2.00
Max-Valve HCV, Zero Pressure Dump Low Flow	50860016	2.00



CBXA40



42", 48", & 54" Slider Width



Complete Assemblies

Part Number	Description
SAF90550420	CBXA40 Slider Assembly, 48"
SAF50544015	Bushing Service Tool

SAF Holland Body Rails

SAFSL0854-05

Length: 248", Binkley, Painted

SAFSL0854-20

Length: 296", Binkley, Painted

SAFSL0A1203-13

Length: 216", Great Dane, Painted

Hole Size: 1.56" for 1-3/8" Pins
6" Hole C-C

CBXA40 Bill of Materials

Item	Part Number	Description
A	Contact Sales	Slider Box
B	SAF90027002	Frame Bracket, Swing Align, Roadside
C	SAF90618226	Frame Bracket, Fixed, Curbside
D	SAF90015150	Hold Down Bracket Clip
E	SAFSL0A1277-01	Torsion Cam
F	SAFXB-PW-016-08	Washer, 0.41" ID x 0.81" OD
G	Contact Sales	Cotter Pin, 0.16" x 1.50"
H	SAFSL0A1274	Cam Plate
I	SAFSL0A1238 SAFSL0A1261	Pin, Lock (Binkley/TTMA) Pin, Lock (Hutch)
J	SAFXB-SPG-02035	Compression Spring
K	SAFSL0A1445-02 SAFSL0A1445-01 Contact Sales	Arm Pull, 42" 34-1/4" Arm Pull, 48" 37-1/4" Arm Pull, 54" 40-1/4"
L	See Chart A	Arm Linkage, 42" Arm Linkage, 48" Arm Linkage, 54"
M	SAFXB-PW-016-85	Washer, Flat 0.19" ID x 0.52 OD
N	SAFXB-SL0A1054	Block Slide "Wear Pad"
O	SAFSL0523-07	Spacer Tube, 1.25"
P	Contact Sales	Screw, .32"-18 x 0.75" Flat HD
Q	Contact Sales	Cap Screw, Hex HD 0.50"-13 x 1.75" Long GR5
R	Contact Sales	Hex Nut, 0.50"-13 GRB
S	SAFSL0A1230	Brake Chamber Bracket
T	SAF90026227	Spring Brake Bracket
U	Contact Sales	HCV Mounting Bracket
V	SAF90548040 SAF90548040	Spring Brake Service Chamber for Pin Release Spring Brake Service Chamber for PosiLok
W	SAF90549628 SAF90549629 SAF90549630	PosiLok Assembly, 16" Ride Height PosiLok Assembly, 16-1/2" Ride Height PosiLok Assembly, 17" & 18" Ride Height
X	SAF93800329	Male PTC Connector
Y	SAF90560012	Air Release Valve
Y1	See Chart B	Height Control Valve
Z	SAFXB-SLN-01204	Hex Nut, 0.50"-13 GR 8
Z1	Contact Sales	Bracket, Valve

Chart B: Height Control Valve (HCV)

Description	Part Number	Weight (lbs)
Max-Valve HCV, Non-Dump	50860013	1.90
Max-Valve HCV, Pressure Dump	50860014	2.10
Max-Valve HCV, Zero Pressure Dump Normal Flow	50860015	2.00
Max-Valve HCV, Zero Pressure Dump Low Flow	50860016	2.00

Chart A: Pin Configuration

Item	Pin Configuration	Slide Box Width 42"			Slide Box Width 48"			Slide Box Width 54"		
		Part Number	Length	Weight	Part Number	Length	Weight	Part Number	Length	Weight
L	Binkley Inside Shim	Contact Sales	14.84"	0.75	SAFSL0A1417-48	17.84"	0.85	Contact Sales	20.84	0.97
L	Binkley Outside Shim/Hutch	Contact Sales	14.93"	0.53"	SAFSL0A1550	17.96"	0.65	Contact Sales	20.96	0.72

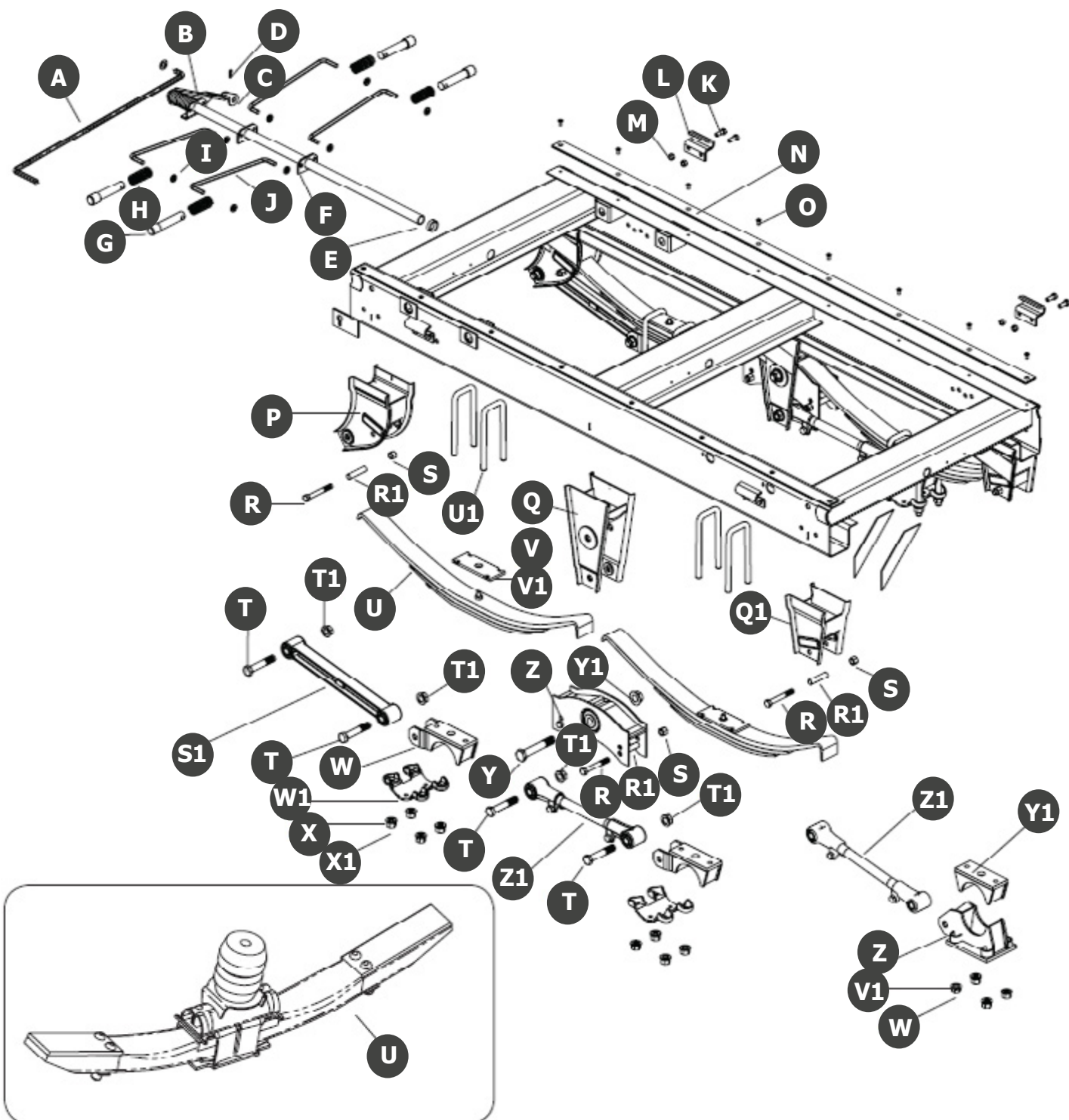


ULX40 & UltraLite2

42", 48", & 54" Axle Spacing



Note: ULX40 includes an axle.



ULX40 & UltraLite2 Bill of Materials

Item	Part Number	Description
A	SAFSL0A1269-02 SAFSL0A1269-01 Contact Sales	Pull Handle, 42" Pull Handle, 48" Pull Handle, 54"
B	SAFSL0A1277-01	Center Pin Pull Assembly
C	SAFXB-PW-016-08	Retainer Washer
D	Contact Sales	Cotter Pin, 3/16" x 1-1/2"
E	SAFSL0523-07	Spacer
F	SAFSL0A1274	Torsion Cam
G	SAFSL0A1261 SAFSL0A1238	Lock Pin, Hutch Style, 1.63" Diameter Lock Pin, All Others, 1.38" Diameter
H	SAFXB-SPG-03025	Compression Spring
I	SAFXB-PW-016-85	Washer, .50" (Pin Pull Round)
J	Contact Sales	Pin Pull Rod, 42" Pin Pull Rod, 48" Pin Pull Rod, 54"
K	Contact Sales	Bolt, .50"-13 x 1.25"
L	SAF90015150	Hold Down Clip
M	Contact Sales	Lock Nut, .50"-13
N	SAFXB-SLOA1054	Slider Pad, 96" Long
O	Contact Sales	Self Tap Screw, .31"-18 x .75"
P	SAFSP0100	Straddle Mount Front Hanger
Q	SAFSP0110	Straddle Mount Equalizer Hanger
Q1	SAFSP0120	Straddle Mount Rear Hanger
R	SAFXB-SP0050-71	Bolt, .63"-11 x 4.50" LG GR5
R1	SAFXB-SP0145	Spacer, .63"
S	SAFXB-SP0012-10	Lock Nut, .63"-11
S1	SAFSP0143	Fixed Torque Arm with Bushings (Tandem Axle) Fixed Torque Arm with Bushings (No Hop)
T	SAFXB-SP0050-75	Bolt, .88"-14 x 4.75" LG GR5
T1	SAFXB-SP0012-36	Flange Lock Nut, .88"-14
U	See Springs, pg. 241	Spring Assembly
U1	See U-Bolts, pg. 230	U-Bolt, .75" Diameter (Tandem Axle) U-Bolt, .75" Diameter (No Hop) U-Bolt, .75" Diameter (Rear Axle)
V	SAFSP0178	Top Plate
V1	Contact Sales	Liner
W	See Spring Seats	Spring Seat Riser (Tandem Axle) Spring Seat Riser (No Hop)
W1	SAFSP0099	Bottom Plate (Tandem Axle) Bottom Plate (No Hop)
X	SAFXB-SP0016-67	Hardened Washer, .81" ID x 1.94" OD
X1	SAFXB-SP0011-44	Hex Nut, .75"-16 GR8
Y	SAFXB-SP0050-73	Bolt, 1"-14 x 7.06" LG GR5
Y1	SAFXB-SP0012-37	Flange Lock Nut, 1"-14
Z	SAFSP0048-PTD	Equalizer with Bushings
Z1	SAFSP0123	Adj. Torque Arm with Bushings (Tandem Axle) Adj. Torque Arm with Bushings (No Hop)

SAF Holland Body Rails

SAFSL0854-05
Length: 248", Binkley, Painted

SAFSL0854-20
Length: 296", Binkley, Painted

SAFSL0A1203-13
Length: 216", Great Dane, Painted

Hole Size: 1.56" for 1-3/8" Pins
6" Hole C-C

SAF Holland Spring Seats

SAFSP0142-01
Spring Seat, 3/4"

SAFSP0142-02
Spring Seat, 1-1/4"

SAFSP0142-03
Spring Seat, 1-3/4"

SAFSP0149-04
Spring Seat, 2-1/4"

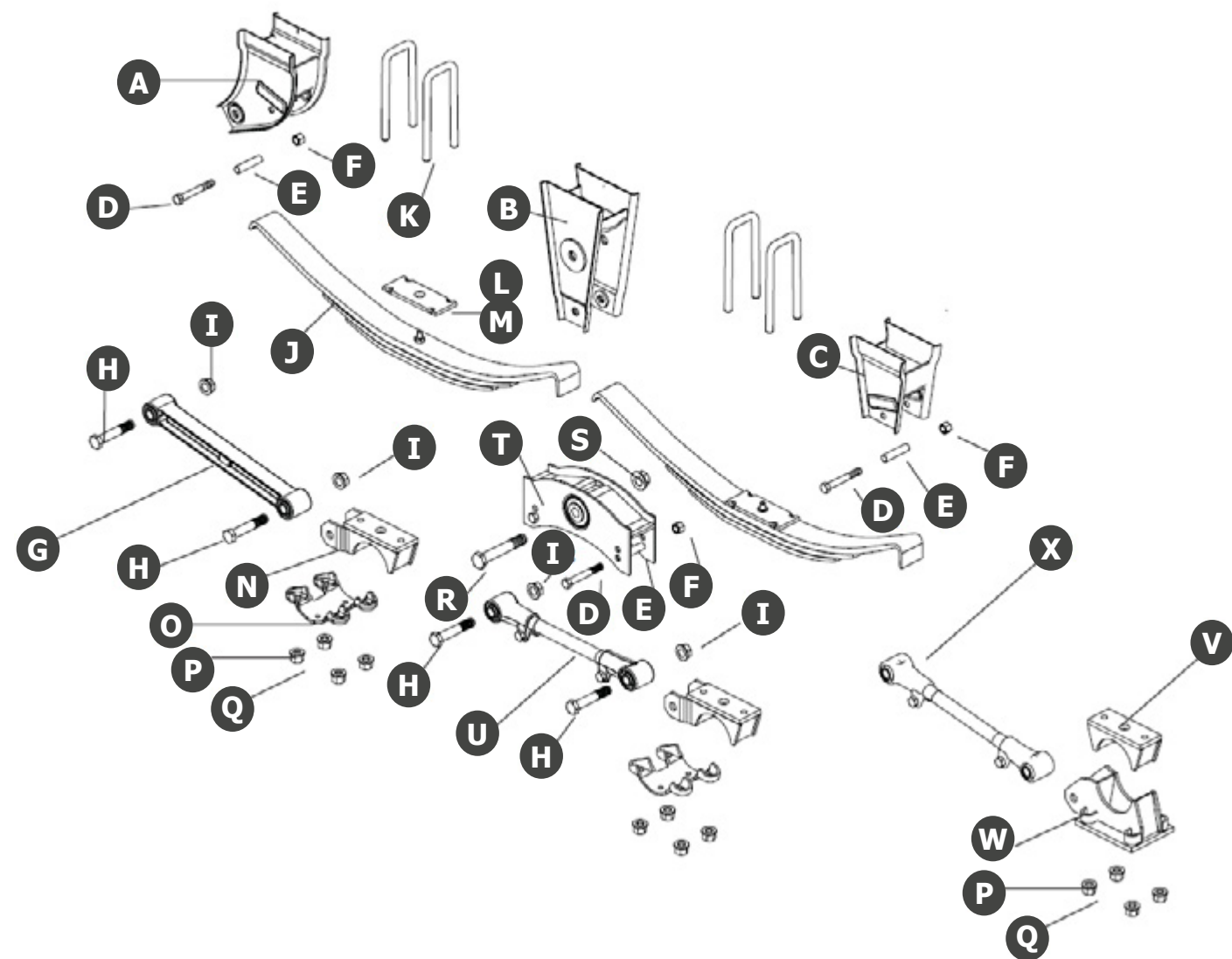
SAFSP0149-05
Riser Spring Seat, 2-3/4"



Duralite



49" Axle Spacing



Complete Assemblies

Part Number	Description
SAFDXH81D-H8	Duralite Slider Box Assembly, 48"

Duralite Bill of Materials

Item	Part Number	Description
A	SAFP0100	Straddle Mount Front Hanger
B	SAFP0110	Straddle Mount Equalizer Hanger
C	SAFP0120	Straddle Mount Rear Hanger
D	SAFXB-SP0050-71	Bolt, .63"-11 x 4.50" LG GR5
E	SAFXB-SP0145	Spacer, .63"
F	SAFXB-SP0012-10	Lock Nut, .63"-11
G	SAFSP0143	Fixed Torque Arm with Bushings (Tandem Axle) Fixed Torque Arm with Bushings (No Hop)
H	SAFXB-SP0050-75	Bolt, .88"-14 x 4.75' LG GR5
I	SAFXB-SP0012-36	Flange Lock Nut, .88"-14
J	See Springs, pg. 241	Spring Assembly
K	See U-Bolts, pg. 230	U-Bolt, .75" Diameter (Tandem Axle) U-Bolt, .75" Diameter (No Hop) U-Bolt, .75" Diameter (Rear Axle)
L	SAFSP0178	Top Plate
M	Contact Sales	Liner
N	See Spring Seats	Spring Seat Riser (Tandem Axle) Spring Seat Riser (No Hop)
O	SAFSP0099	Bottom Plate (Tandem Axle) Bottom Plate (No Hop)
P	SAFXB-SP0016-67	Hardened Washer, .81" ID x 1.94 OD
Q	SAFXB-SP0011-44	Hex Nut, .75"-16 GR8
R	SAFXB-SP0050-73	Bolt, 1.0"-14 x 6.06" LG GR5
S	SAFXB-SP0012-37	Flange Lock Nut, 1.0"-14
T	SAFSP0048-PTD	Equalizer with Bushings
U	SAFSP0123	Adjustable Torque Arm with Bushings (Tandem Axle) Adjustable Torque Arm with Bushings (No Hop)
V	Contact Sales	Spring Seat Riser, Rear Axle
W	Contact Sales	No-Hop Bottom Plate, Rear Axle
X	Contact Sales	Adjustable Torque Arm, Rear Axle

SAF Holland Body Rails

SAFSL0854-05
Length: 248", Binkley, Painted

SAFSL0854-20
Length: 296", Binkley, Painted

SAFSL0A1203-13
Length: 216", Great Dane, Painted
Hole Size: 1.56" for 1-3/8" Pins
6" Hole C-C

SAF Holland Spring Seats

SAFSP0142-01
Spring Seat, 3/4"

SAFSP0142-02
Spring Seat, 1-1/4"

SAFSP0142-03
Spring Seat, 1-3/4"

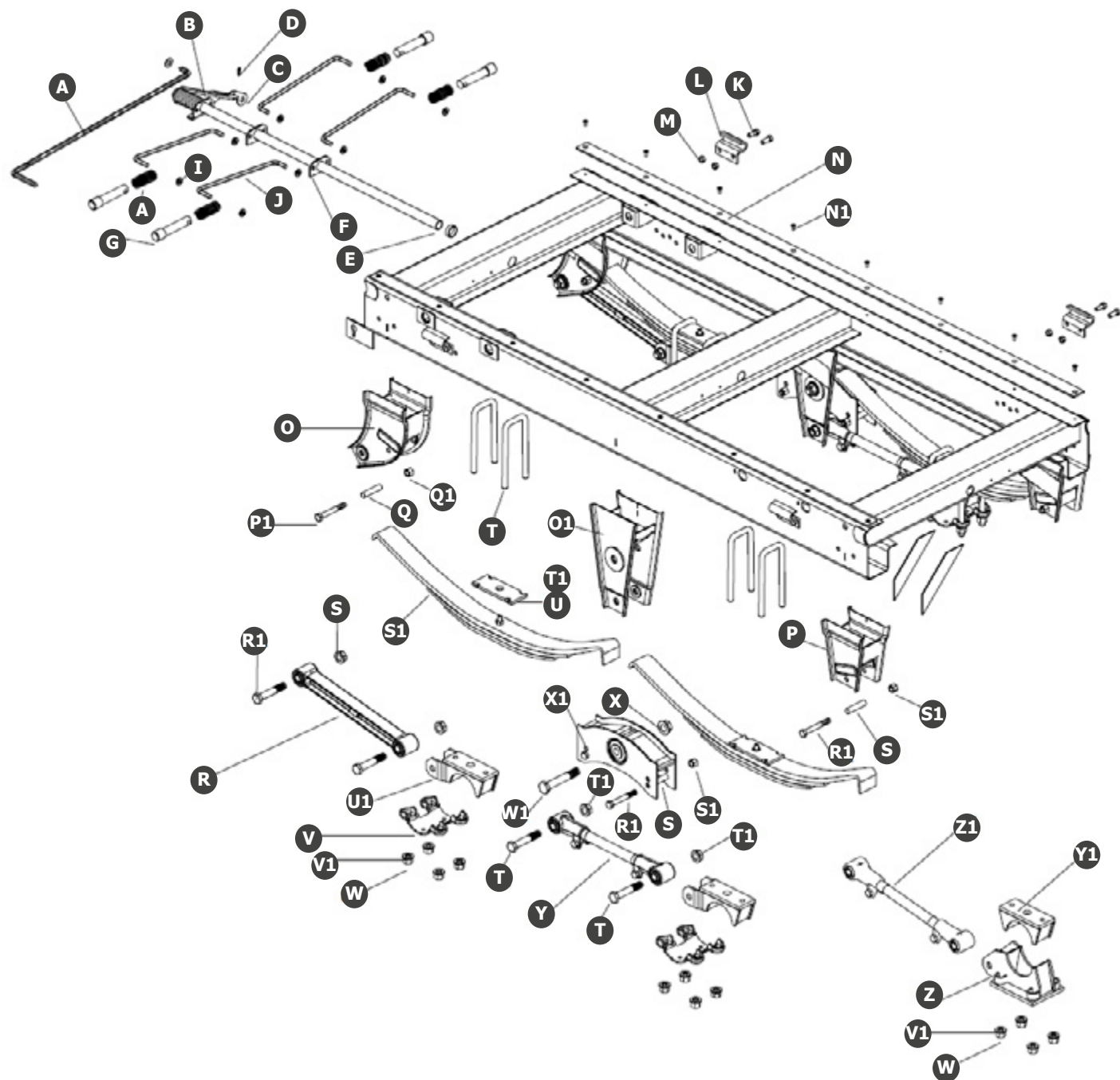
SAFSP0149-04
Spring Seat, 2-1/4"

SAFSP0149-05
Riser Spring Seat, 2-3/4"



DuraSystem

49" Axle Spacing



DuraSystem Bill of Materials

Item	Part Number	Description
A	SAFSL0A1269-02 SAFSL0A1269-01 Contact Sales	Pull Handle, 42" Pull Handle, 48" Pull Handle, 54"
B	SAFSL0A1277-01	Center Pin Pull Assembly
C	SAFXB-PW-016-08	Retainer Washer
D	Contact Sales	Cotter Pin, 3/16" x 1-1/2"
E	SAFSL0523-07	Spacer
F	SAFSL0A1274	Torsion Cam
G	SAFSL0A1261 SAFSL0A1238	Lock Pin, Hutch Style, 1.63" Diameter Lock Pin, All Others, 1.38" Diameter
H	Contact Sales	Compression Spring
I	SAFXB-PW-016-85	Washer, .50" (Pin Pull Rod)
J	Contact Sales	Pin Pull Rod, 42" Pin Pull Rod, 48" Pin Pull Rod, 54"
K	Contact Sales	Bolt, .50"-13 x 1.25"
L	SAF90015150	Hold Down Clip
M	Contact Sales	Lock Nut, .50"-13
N	SAFXB-SL0A1054	Slider Pad, 96" Long
N1	Contact Sales	Self Tap Screw, .31"-18 x .75"
O	SAFSP0100	Straddle Mount Front Hanger
O1	SAFSP0294	Straddle Mount Equalizer Hanger
P	SAFSP0120	Straddle Mount Rear Hanger
P1	SAFXB-SP0050-71	Bolt, .63"-11 x 4.50" LG GR5
Q	SAFXB-SP0145	Spacer, .63"
Q1	SAFXB-SP0012-10	Lock Nut, .63"-11
R	SAFSP0143	Fixed Torque Arm with Bushings (Tandem Axle) Fixed Torque Arm with Bushings (No Hop)
R1	SAFXB-SP0050-75	Bolt, .88"-14 x 4.75" LG GR5
S	SAFXB-SP0012-36	Flange Lock Nut, .88"-14
S1	See Springs, pg. 241	Spring Assembly
T	See U-Bolts, pg. 230	U-Bolt, .75" Diameter (Tandem Axle) U-Bolt, .75" Diameter (No Hop) U-Bolt, .75" Diameter (Rear Axle)
T1	SAFSP0178	Top Plate
U	Contact Sales	Liner
U1	See Spring Seats	Spring Seat Riser (Tandem Axle) Spring Seat Riser (No Hop)
V	SAFSP0099	Bottom Plate (Tandem Axle) Bottom Plate (No Hop)
V1	SAFXB-SP0016-67	Hardened Washer, .81" ID x 1.94" OD
W	SAFXB-SP0011-44	Hex Nut, .75"-16 GR8
W1	SAFXB-SP0050-73	Bolt, 1"-14 x 6.06" LG GR5
X	SAFXB-SP0012-37	Flange Lock Nut, 1"-14
X1	SAFSP0048-PTD	Equalizer with Bushings
Y	SAFSP0123	Adjustable Torque Arm with Bushings (Tandem Axle) Adjustable Torque Arm with Bushings (No Hop)
Y1	Contact Sales	Spring Seat Riser, Rear Axle
Z	Contact Sales	No-Hop Bottom Plate, Rear Axle
Z1	Contact Sales	Adjustable Torque Arm, Rear Axle

SAF Holland Body Rails

SAFSL0854-05
Length: 248", Binkley, Painted

SAFSL0854-20
Length: 296", Binkley, Painted

SAFSL0A1203-13
Length: 216", Great Dane, Painted

Hole Size: 1.56" for 1-3/8" Pins
6" Hole C-C

SAF Holland Spring Seats

SAFSP0142-01
Spring Seat, 3/4"

SAFSP0142-02
Spring Seat, 1-1/4"

SAFSP0142-03
Spring Seat, 1-3/4"

SAFSP0149-04
Spring Seat, 2-1/4"

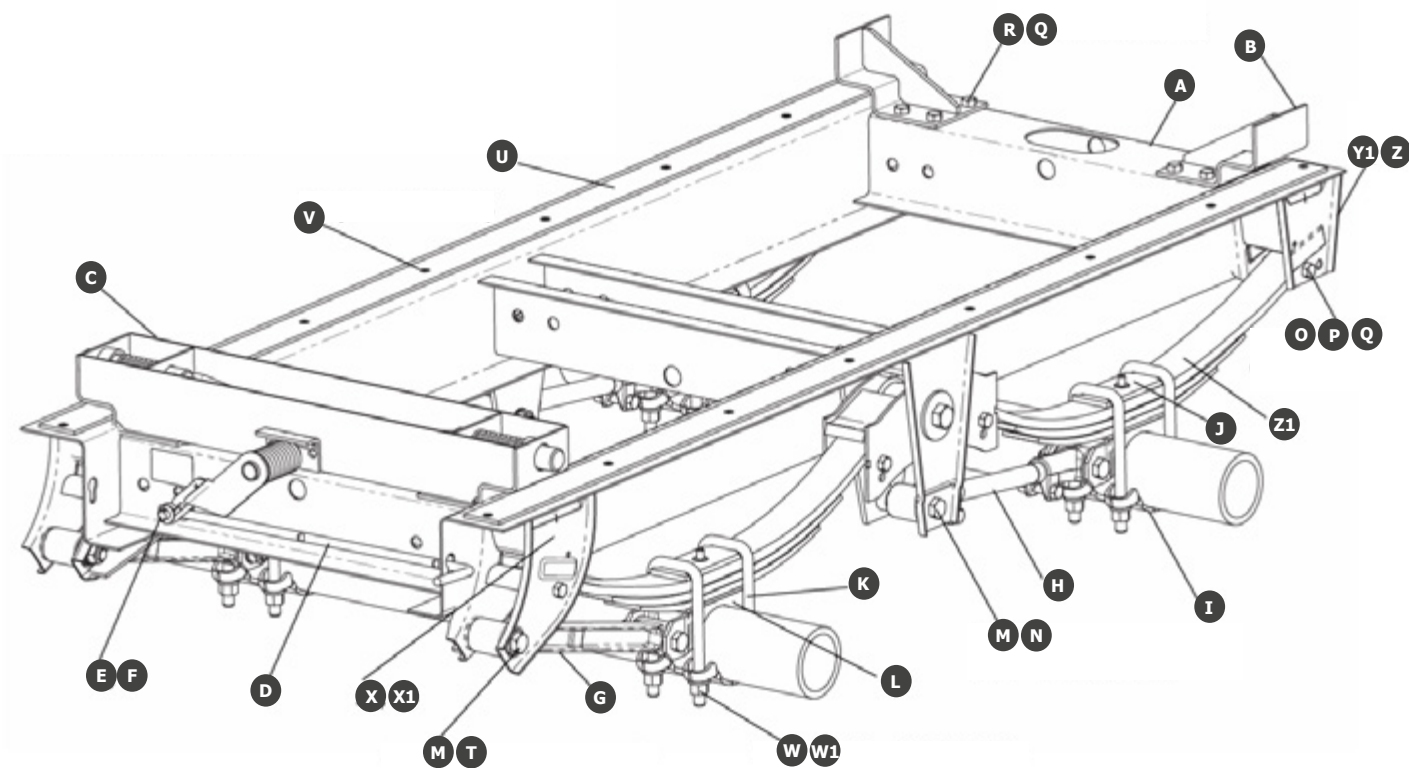
SAFSP0149-05
Riser Spring Seat, 2-3/4"



Z-Frame



**36", 38", & 44"
Axle Spacing**



Complete Assemblies

Part Number	Description
SAFZF102-0-2H63	Z-Frame Slider Box, Hyundai Chassis, 36 SPG CC

Z-Frame Bill of Materials

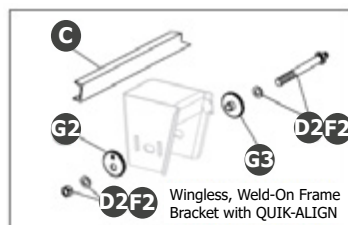
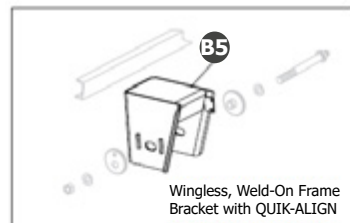
Item	Part Number	Description
A	Contact Sales	Z-Frame w/ Hangers
B	Contact Sales	Rear Hold Down Assembly
C	Contact Sales	Pin Cage Assembly
D	SAFSL0041-01	Pull Arm
E	Contact Sales	Cotter Pin
F	SAFXB-PW-016-08	Washer
G	SAFSP0143	Fixed Torque Arm
H	SAFSP0123	Adjustable Torque Arm
I	SAFSP0099	Bottom Plate
J	SAFSP0178	Top Plate
K	See U-Bolts, pg. 230	U-Bolt
L	See Spring Seats	Seat Riser
M	SAFXB-SP0012-36	Flange Nut, 7/8"
N	SAFXB-SP0050-01	Screw, Hex Cap, 7/8"-14 x 5-3/4"
O	SAFXB-SP0050-71	Screw, Hex Cap, 5/8"-11 x 4-1/2"
P	SAFXB-SP0145	Spacer
Q	SAFXB-SP0012-10	Nut, Hex, 5/8"
R	Contact Sales	Screw, Hex Cap, 5/8"-11 x 1-1/2"
S	Contact Sales	Torsion Cam Shaft (Not Shown)
T	SAFXB-SP0050-75	Screw, Hex Cap, 7/8"-14 x 4-3/4"
U	SAFXB-SL0312-01	Slide Pad
V	Contact Sales	Screw
W	SAFXB-SP0011-44	Nut, Hex, 3/4"-16
W1	SAFXB-SP0016-67	Washer
X	SAFSP0156-02	Front Hanger, Roadside
X1	SAFSP0156-01	Front Hanger, Curbside
Y	SAFSP0168	Center Hanger (Not Shown)
Y1	SAFSP0055-01	Rear Hanger, Roadside
Z	SAFSP0055-02	Rear Hanger, Curbside
Z1	See Springs, pg. 241	Spring

SAF Holland Spring Seats

- SAFSP0142-01
Spring Seat, 3/4"
- SAFSP0142-02
Spring Seat, 1-1/4"
- SAFSP0142-03
Spring Seat, 1-3/4"
- SAFSP0149-04
Spring Seat, 2-1/4"
- SAFSP0149-05
Riser Spring Seat, 2-3/4"

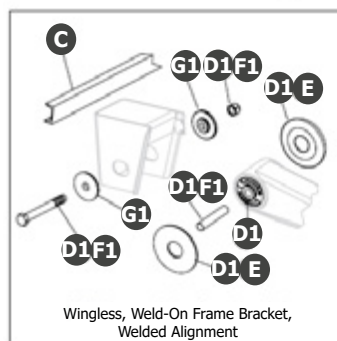
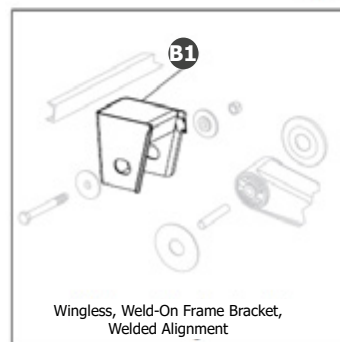


HT250T

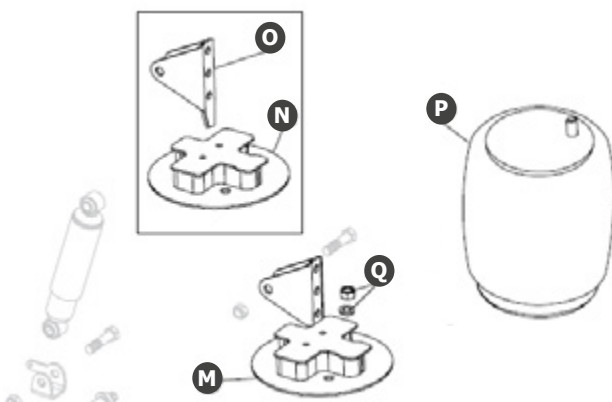


Winged, Weld-On Frame Bracket with QUIK-ALIGN

Winged, Weld-On Frame Bracket with QUIK-ALIGN



Coined U-Bolt



Complete Assemblies

Part Number	Description
HNDHT250TB17001	Trailer Suspension, 25K, 17" RH, Wingless Q-Align
HNDHT250T15-001	Trailer Suspension, 25K, 15" RH, L-Mount, Wingless Weld Align
HNDHT250T17-001	Trailer Suspension, 25K, 17" RH, L-Mount, Wingless Weld Align

Bushing Installation Tool
HNDS-21307
Wide Bushing



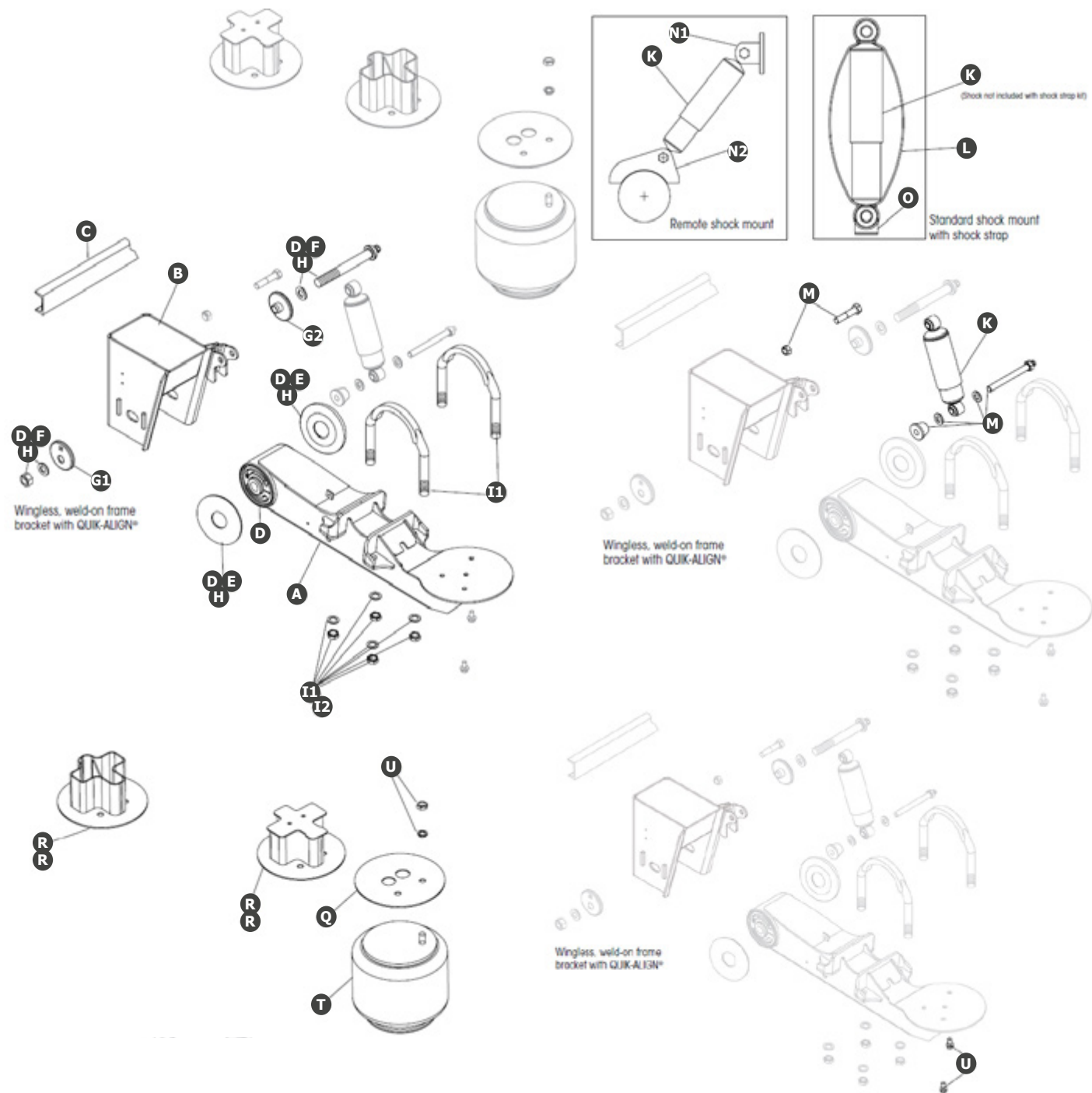
HT250T Bill of Materials

Item	Part Number	Description
A	HNDS-20602-1 HNDS-20602-2	Beam Assembly, Roadside (All Models) Beam Assembly, Curbside (All Models)
B1	Contact Sales	Frame Bracket, Wingless, Weld-On, Welded Alignment, Roadside Frame Bracket, Wingless, Weld-On, Welded Alignment, Curbside
B2	Contact Sales	Frame Bracket, Wingless, Bolt-On, Welded Alignment, Roadside (Not Shown) Frame Bracket, Wingless, Bolt-On, Welded Alignment, Curbside (Not Shown)
B3	Contact Sales	Frame Bracket, Winged, Weld-On, Quik-Align, Roadside Frame Bracket, Winged, Weld-On, Quik-Align, Curbside
B4	Contact Sales	Frame Bracket, Winged, Bolt-On, Quik-Align, Roadside (Not Shown) Frame Bracket, Winged, Bolt-On, Quik-Align, Curbside (Not Shown)
B5	Contact Sales	Frame Bracket, Wingless, Weld-On, Quik-Align, Roadside Frame Bracket, Wingless, Weld-On, Quik-Align, Curbside
B6	Contact Sales	Frame Bracket, Wingless, Bolt-On, Quik-Align, Roadside (Not Shown) Frame Bracket, Wingless, Bolt-On, Quik-Align, Curbside (Not Shown)
C	HNDA-1631-19	Frame Bracket C-Channel
D1	HNDS-6914	Tri-Functional II Bushing Kit, Welded Alignment
D2	HNDS-24691-BK	Tri-Functional II Bushing Kit, Quik-Align
E	HNDS-21099	Bushing Tube Spacer
F1	HNDS-3646	Pivot Bolt Kit, Welded Alignment
F2	HNDS-24679	Pivot Bolt Kit, Quik-Align
G1	HNDS-2770	Alignment Collars, Welded Alignment
G2	HNDS-20925	Alignment Collars, Eccentric Quik-Align (Outer)
G3	HNDS-20924	Alignment Collars, Concentric Quik-Align (Inner)
H	HNDS-21140-4	U-Bolt Kit
I	HNDS-2212	Shock Absorber
J	HNDS-20031-2	Shock Bolt Kit
K	HNDS-14587-3	Shock Strap Kit (Not Shown)
L	HNDS-20069	Lower Shock Clevis
M	Contact Sales	Air Spring Shock Mount
N	Contact Sales	Air Spring Spacer Assembly
O	HNDS-20023	Upper Shock Bracket
P	HNDS-20124-32	Air Spring (For all Models, except: T-17-022 and TB15-025)
Q	HNDS-20033-2	Air Spring Mounting Kit
R	HNDVS-227	Universal Height Control Valve (Not Shown)
S	HNDS-14187	Universal Linkage Assembly (Not Shown)
T	HNDVS-23460	Automatic Dump Valve (Not Shown)
U	Contact Sales	Pressure Protection Valve, Includes Valve Only (Not Shown)

Note: Bushing tool HNDS-21307 is required to correctly re-bush the suspension.



HT250U



HT250U Bill of Materials

Item	Part Number	Description
A	HNDS-24186-1 HNDS-24186-2	Beam Assembly, Standard (Roadside) Beam Assembly, Standard (Curbside)
A	HNDS-29303-1 HNDS-29303-2	Beam Assembly, Steer (Roadside) (Not Shown) Beam Assembly, Steer (Curbside) (Not Shown)
B	Contact Sales	Frame Bracket
C	HNDA-1631-19	Frame Bracket, C-Channel
D	HNDS-24691-BK	Tri-Functional II Bushing Kit
E	HNDS-21099	Bushing Tube Spacer
F	HNDS-24679	Pivot Bolt Kit, Quik-Align
G1	HNDS-20925	Alignment Collars, Eccentric (Outer)
G2	HNDS-20924	Alignment Collars, Concentric (Inner)
H	HNDS-26369	Bushing Tube Spacer Kit
I1	HNDS-21140-4	U-Bolt Kit, 19.5" or Larger Tires
I2	HNDS-22894-4	U-Bolt Kit, 17.5" Tires
J	HNDS-20701	Axle Spacer
K	Contact Sales	Shock Absorbers
L	Contact Sales	Shock Strap Kits
M	HNDS-24024 HNDS-23642 HNDS-21572 HNDS-2157-2	Shock Bolt Kit, Standard Shock Mount Shock Bolt Kit, Standard Shock Mount Lower Shock Bolt Kit, Standard Shock Mount Upper Shock Bolt Kit, Remote Shock Mount
N1	HNDA-5431	Remote Shock Mount, Upper Assembly
N2	HNDS-2723	Remote Shock Mount, Lower Assembly
O	HNDS-20919	Shock Strap Clevis
P	HNDS-2592	Upper Shock Clevis (Not Shown)
Q1	HNDS-21209	Air Spring Mounting Plate, Weld-On, Angled and Frame Clearance
Q2	HNDB-21211	Air Spring Mounting Plate, Bolt-On
R	HNDC-21210-3 HNDC-21210-5	Air Spring Spacer Assembly, Weld-on, Standard Travel, 12" Ride Height Air Spring Spacer Assembly, Weld-on, Standard Travel, 14" RH
R	HNDC-21210-1 HNDC-21210-3 HNDC-21210-5	Air Spring Spacer Assembly, Weld-on, Limited Jounce, 6.5" & 7.5" Ride Height Air Spring Spacer Assembly, Weld-on, Limited Jounce, 9" Ride Height Air Spring Spacer Assembly, Weld-on, Limited Jounce, 12" Ride Height
R	HNDC-21215-3 HNDC-21215-5	Air Spring Spacer Assembly, Bolt-on, Standard Travel, 12" Ride Height Air Spring Spacer Assembly, Bolt-on, Standard Travel, 14" Ride Height
R	HNDC-21215-1 HNDC-21215-3 HNDC-21215-5	Air Spring Spacer Assembly, Bolt-on, Limited Jounce, 6.5" & 7.5" Ride Height Air Spring Spacer Assembly, Bolt-on, Limited Jounce, 9" Ride Height Air Spring Spacer Assembly, Bolt-on, Limited Jounce, 12" Ride Height
S	HNDB-28662	Air Spring Spacer (Not Shown)
T	HNDS-20010-32 HNDS-20223-32 HNDS-20127-24 HNDS-20716 HNDS-20124-32	Air Spring, Standard, 4" Ride Height Air Spring, Standard, 3.5" and 4" Ride Height, High Pressure Air Spring, Standard, 5.5" to 14" Ride Height Air Spring, Standard, 6.5" Ride Height, High Pressure, Short Bellows Air Spring, Standard, 7.5" to 14" Ride Height, High Pressure
T	HNDS-20414 HNDS-20413	Air Spring, Rotated, 5.5" to 14" Ride Height Air Spring, Rotated, 7.5" to 14" Ride Height, High Pressure
U	HNDS-20033-2	Air Spring Mounting Kit

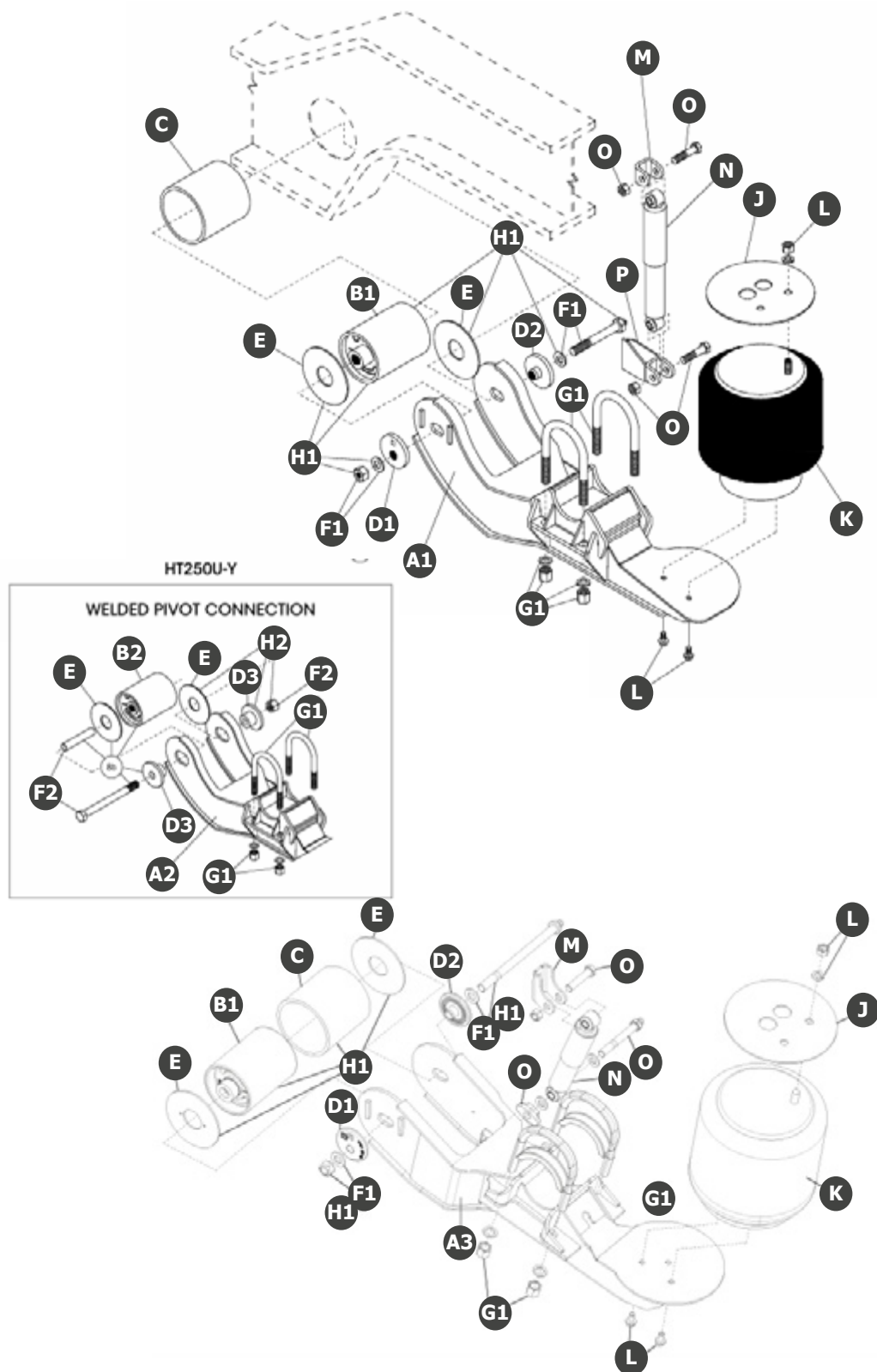
Bushing Installation Tool
HNDS-21307
Wide Bushing



Note: Bushing tool HNDS-21307 is required to correctly re-bush the suspension.



HT250Y



HT250Y Bill of Materials

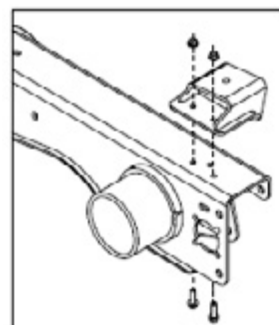
Item	Part Number	Description	Model Number
A1	HNDS-22350-3 HNDS-22350-4	Beam Assembly, Quik-Align, Roadside Beam Assembly, Quik-Align, Curbside	HT250YB
A2	HNDS-21076-1 HNDS-21076-2	Beam Assembly, Welded Alignment, Roadside Beam Assembly, Welded Alignment, Curbside	HT250U-Y
A3	HNDS-30873-1 HNDS-30873-2	Beam Assembly, Quik-Align, Roadside Beam Assembly, Quik-Align, Curbside	HT250YS
B1	HNDS-30862	Bushing Assembly, Quik-Align	HT250YB, HT250YS
B2	HNDS-7343	Bushing Assembly, Welded Alignment	HT250U-Y
C	HNDS-7342	Tube Sleeve	All Models
D1	HNDS-20925	Alignment Collar, Eccentric Washer, Quik-Align	HT250YB, HT250YS
D2	HNDS-20924	Alignment Collar, Concentric Washer, Quik-Align	HT250YB, HT250YS
D3	HNDS-7349	Alignment Collar, Welded Alignment	HT250U-Y
E	HNDS-21099	Bushing Tube Spacer	All Models
F1	HNDS-25948	Pivot Bolt Kit, Quik-Align	HT250YB, HT250YS
F2	HNDS-7345	Pivot Bolt Kit, Welded Alignment	HT250U-Y
G1	HNDS-3650-4	U-Bolt Kit, RD	HT250U-Y, HT250YB
G2	Contact Sales	Flattened U-Bolt/Spacer Kit (Not Shown)	HT250YS with 12.25" Brakes Only
G3	HNDS-21140-4	U-Bolt Kit (Not Shown)	HT250YS with 16.5" Brakes Only
H1	HNDS-26000	Tri-Functional II Bushing Kit, Quik-Align	HT250YB, HT250YS
H2	HNDS-13136	Tri-Functional II Bushing Kit, Welded Alignment	HT250U-Y
I	HNDS-26371	Bushing Tube Spacer Kit (Not Shown)	HT250U-Y
J	HNDS-21209	Air Spring Plate, All Models	All Models
K	HNDS-20127-24 HNDS-20414 HNDS-20124-32 HNDS-20413	Air Spring, Standard, All Models Air Spring, Rotated Stud, All Models Air Spring, High Pressure, Standard, All Models Air Spring, High Pressure, Rotated	All Models All Models All Models HT250YS
L	HNDS-20033-2	Air Spring Bolt Kit, All Models	All Models
M	HNDS-2592 HNDS-20113	Upper Shock Clevis, Standard, All Models Upper Shock Clevis, For use with Shock Straps (Not Shown)	All Models
N	HNDS-20002 HNDS-23651 HNDS-21553 HNDS-23649	Shock Absorber, Standard Shock Absorber, Standard Shock Absorber, Extended Service, High Damping Shock Absorber, Remote Shocks	HT250U, HT250YB HT250YS HT250U, HT250YB HT250YB
O	HNDS-2157-2 HNDS-31929-2	Shock Absorber Bolt Kit Shock Absorber Bolt Kit	HT250U-Y, HT250YB HT250YS
P	HNDS-20145-1 HNDS-20145-2 HNDS-2723	Lower Shock Clevis, Roadside Lower Shock Clevis, Curbside Lower Shock Clevis, Remote Axis Mount	HT250U-Y, HT250YB HT250U-Y, HT250YB HT250YB
Q	HNDS-14587-1 HNDS-14587-8 HNDS-23086-4	Shock Strap Kit for S-20002 Shock Absorber (Not Shown) Shock Strap Kit for S-21553 Shock Absorber (Not Shown) Shock Strap Kit for S-23651 Shock Absorber (Not Shown)	



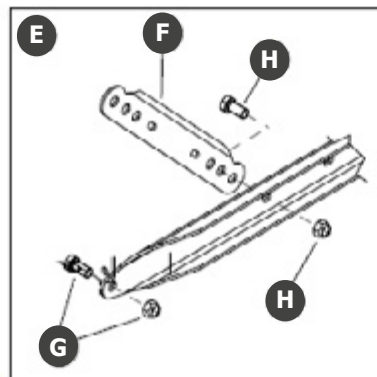
Note: Bushing tool HNDS-21307 is required to correctly re-bush the suspension.



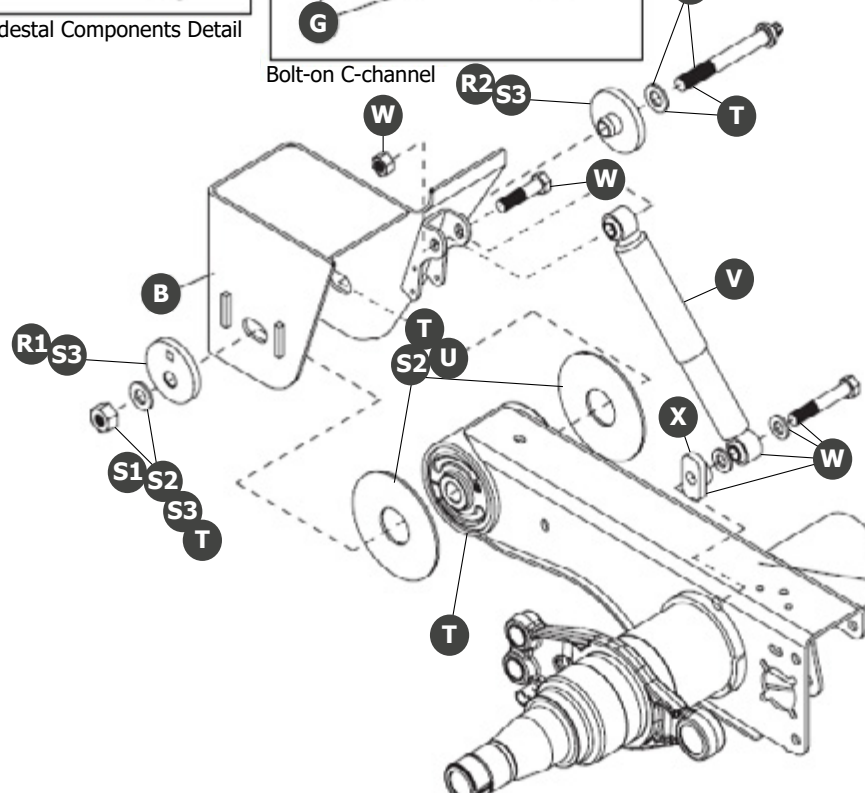
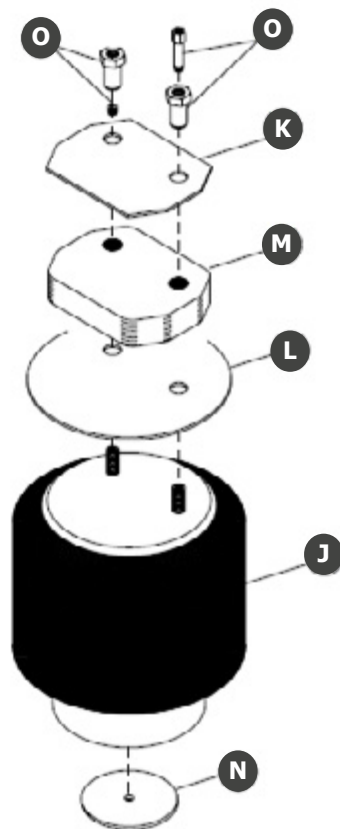
Intraax



Pedestal Components Detail



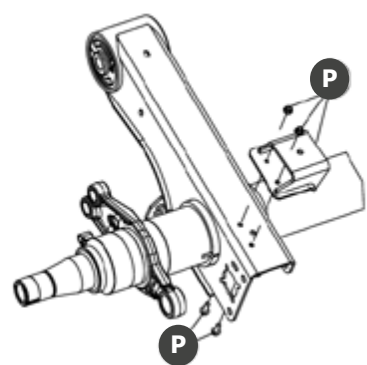
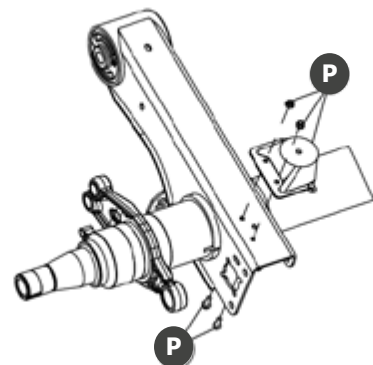
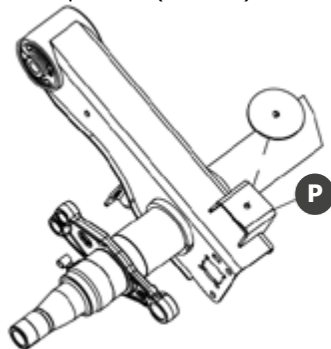
Bolt-on C-channel



Five inch axle, weld-on pedestal (obsolete)

LDA Axle, cast pedestal

LDA Axle, fabricated pedestal



Intraax Bill of Materials

Item	Part Number	Description
A	Contact Sales	Axle/Beam Weldment
B	Contact Sales	Frame Bracket
C	HNDS-27330	Frame Bracket Gusset, 13.5"-19" Ride Height (Not Shown)
D	HNDB-2347-7	Frame Bracket Brace, 16"-17" Ride Height (Not Shown)
E	HNDS-31901-3C HNDS-31901-1C	Bolt-On C-Channel Kit, 71.5" Track Bolt-On C-Channel Kit, 77.5" Track
F	Contact Sales	Strut
G	HNDS-29822	C-Channel Bolt Kit
H	HNDS-30720	Strut Bolt Kit
I	HNDA-1631-19 HNDA-1631-35	Weld-On C-Channel, 71.5" - 77.5" Tracks, 13.5"-19" Ride Height (Not Shown) Weld-On C-Channel, 83.5" - 85" Tracks, 13.5"-19" Ride Height (Not Shown)
J	HNDS-21800-48 HNDS-20901-48 HNDS-25873	Air Spring, AAT 23K Model, 13.5"-19" Ride Height Air Spring, AAT 25K Model, 13.5"-19" Ride Height Air Spring, AAT 30K Model, 13.5"-19" Ride Height
K	HNDS-20905 HNDB-21145	Air Spring Mounting Plate, Weld-On, 12" - 19" Ride Height Air Spring Mounting Plate, Bolt-On, 13.5" - 19" Ride Height
L	HNDS-23294	Air Spring Flex Plate (30K Models Only, 5" Axle)
M	HNDS-22510-1 HNDS-22510-2 HNDS-22510-3	Air Spring Spacer, 5" Axle, 15" Ride Height, 1-1/8" Thick Spacer Air Spring Spacer, 5" Axle, 16" Ride Height, 1-7/8" Thick Spacer Air Spring Spacer, 5" Axle, 17" Ride Height, 3-1/8" Thick Spacer
N	HNDS-21786	Air Spring Bottom Disc (5" Axle)
O	HNDS-22619-2 HNDS-22630-2 HNDS-22619-2 HNDS-22631-2	Air Spring Mounting Kits, 5" and LDA, 13.5", 14", and 15" Ride Height Air Spring Mounting Kits, 5" and LDA, 16" and 18" Ride Height Air Spring Mounting Kits, 5" and LDA, 17" Ride Height Air Spring Mounting Kits, 5" and LDA, 19" Ride Height
P	Contact Sales	Air Spring Pedestal Kits
Q	Contact Sales	Air Spring Spacer Assembly (Not Shown)
R1	HNDS-20925	Alignment Collars, Eccentric (Outer)
R2	HNDS-20924	Alignment Collars, Concentric (Inner)
S1	HNDS-24679 HNDS-24705	Quik-Align Pivot Bolt Kit, Wide Quik-Align Pivot Bolt Kit, Narrow
S2	HNDS-26369	Quik-Align Pivot Bolt Kit with Bushing Tube Spacers, Standard or Off-Highway
S3	HNDS-24680	Quik-Align Pivot Bolt Kit with Alignment Collars
T	HNDS-24691-BK HNDS-26321	Tri-Functional Bushing Kit, Wide Tri-Functional Bushing Kit, Narrow
U	HNDS-21099	Bushing Tube Spacers, Standard
V	Contact Sales	Front Shock Absorber
W	Contact Sales	Shock Absorber Bolt Kit
X	HNDS-41186-1	Shock Spacer

Bushing Installation Tool

HNDS-21307
Wide Bushing



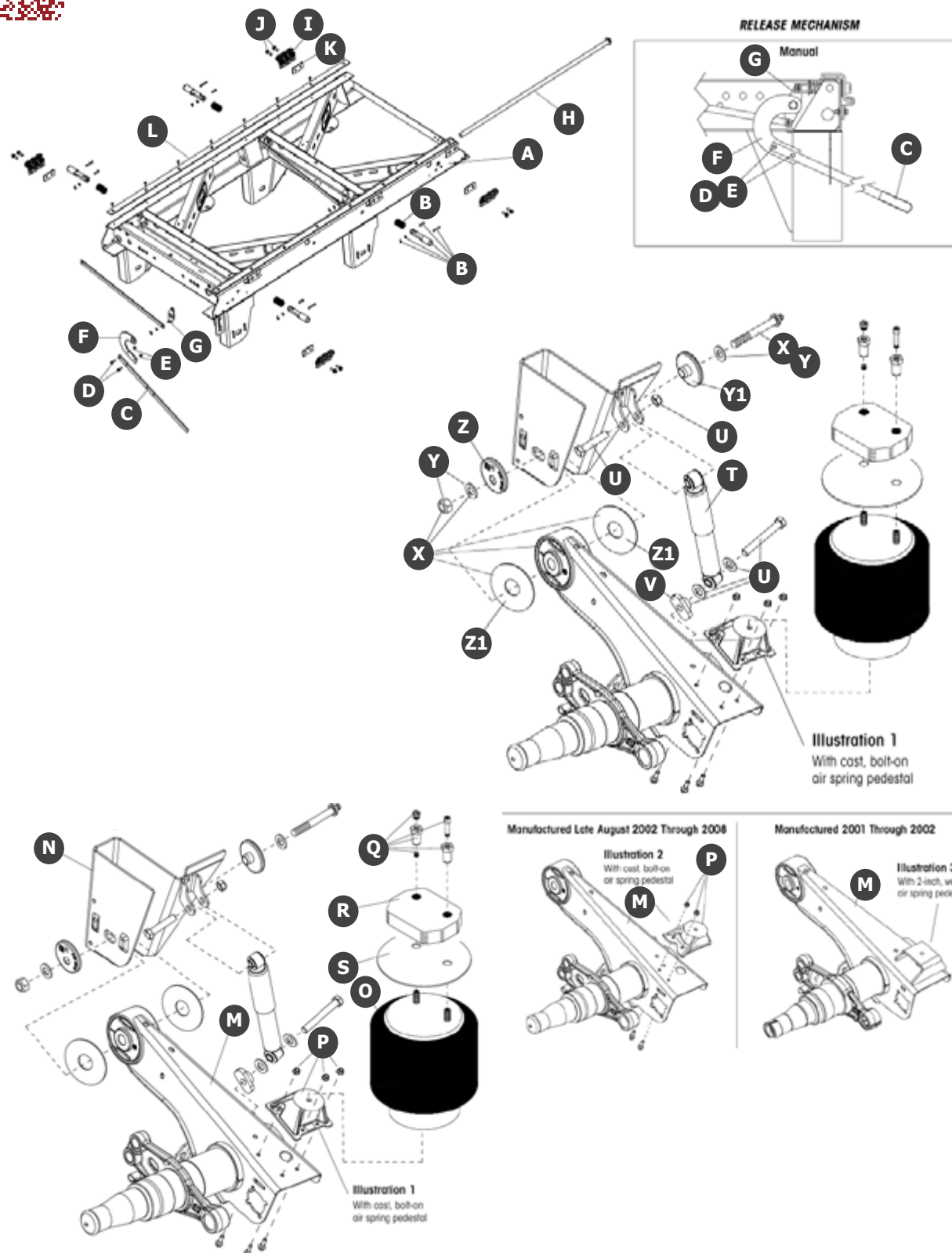
HNDS-24736
Wide Bushing



Note: Bushing tool HNDS-21307 is required to correctly re-bush the suspension for wide bushings. Bushing tool HNDS-24736 is required to correctly re-bush the suspension for narrow bushings.



Vantraax



Complete Assemblies

Part Number	Description
HNDAMBOX.1089	Slider Box HKANT Hutch R Assembly w/ Tank Bracket Quick Draw
HNDAMBOX.127	Slider Box HKANT Hutch RA Assembly w/ .18 SHIMS Quick Draw
HNDAMBOX.1327	Slider Box HKANT Hutch Assembly, Narrow Bush Quick Draw
HNDAMBOX.22	Slider Box HKANT40 Binkley RAI Assembly, Narrow Quick Draw
HNDAMBOX.716	Slider Box HKANT Binkley Assembly w/ Tank Bracket Quick Draw
HNDAMBOX.98	Slider Box HKA40K Assembly, Quick Draw Narrow Bushing
HNDAMBOX.1106	Slider Box HKAT46K, 48" Width, Quick Draw Binkley Style, 17" Ride Height
HNDAMBOX.53	Slider Box HKAT46, 48" Width, Manual Binkley Style, 16" Ride Height
HNDAMBOX.1467	Slider Box HKANT40, 48" Width, Quick Draw TTMA Style, 15" Ride Height
HNDAMBOX.1089	Slider Box HKANT40, 48" Width, Quick Draw Hutch Style w/ Tank Brackets, 16" Ride Height
HNDAMBOX.1535	Slider Box HKANT40, 48" Width, Quick Draw Hutch Style w/o SHIMS, 16" Ride Height
HNDAMBOX.1327	Slider Box HKANT40, 48" Width, Quick Draw Hutch Style, 16" Ride Height
HNDAMBOX.98	Slider Box HKANT40, 48" Width, Quick Draw Hutch Style, 16" Ride Height
HNDAMBOX.127	Slider Box HKANT40, 48" Width, Quick Draw Hutch Style .18" Shims Hyundai

Vantraax Bill of Materials

Item	Part Number	Description
A	Contact Sales	Aftermarket Slider Box Replacement
B	Contact Sales	Quik-Draw Components
C	HNDB-22923 HNDB-21505	Handle Assembly, 4 Holes Handle Assembly, 2 Holes
D	HNDSA-1100-30	Handle Bolt, 2-3/8"-16 x 1-1/4", Hex Head Bolt, GR5
E	HNDSA-9000-5	Handle Nut, 2-3/8"-16, Lock Nut, GRB
F	HNDC-21275	Handle Mount, Manual
G	HNDB-33010	Crank Arm Weldment
H	HNDS-21433	Pipe Weldment, Manual
I	HNDB-22459 HNDB-24460	Body Rail Clip, 3.4" Clip Height Body Rail Clip, 3.8" Clip Height
J	HNDSA-6900-2	Body Rail Bolt, 1/2"-13" x 1-1/2", Flanged Bolt
K	Contact Sales HNDA-22367	Body Rail Clip Spacer, 1.5" Clip Hole Centers Body Rail Clip Spacer, 2" Clip Hole Centers
L	HNDS-14342-3	Slider Wear Pad Kit
M	Contact Sales	Axle/Beam Weldment
N	Contact Sales	Frame Bracket
O	See Springs on pg. 241	Air Spring
P	Contact Sales	Cast Air Spring Pedestal Kit
Q	Contact Sales	Air Spring Mounting Kit
R	Contact Sales	Air Spring Spacer
S	HNDS-27042	Air Spring Mounting Plate
T	HNDS-24088	Shock Absorber
U	HNDS-24049-2	Shock Bolt Kit
V	HNDS-41186-1	Shock Spacer
W	HNDS-23086-1	Shock Strap Kit (Not Shown)
X	HNDS-26321	Tri-Functional Pivot Bushing Kit
Y	HNDS-24705	Quik-Align Pivot Bolt Kit
Z	HNDS-20924 HNDS-20925	Quik-Align Alignment Collars, Concentric (Inner) Quik-Align Alignment Collars, Eccentric (Outer)
Z1	HNDS-26807	Bushing Tube Spacer

Hutch-Style Body Rails

HTH1271309
Overall Length: 192"

HTH1271328
Overall Length: 208"

HTH1271314
Overall Length: 216"

HTH1271317
Overall Length: 240"

Hole Size: 1.832" for 1-5/8"
Pins 4" Hole C-C

SAF Holland Body Rails

SAFSL0854-05
Length: 248", Binkley, Painted

SAFSL0854-20
Length: 296", Binkley, Painted

SAFSL0A1203-13
Length: 216", Great Dane, Painted

Hole Size: 1.56" for 1-3/8" Pins
6" Hole C-C

Bushing Installation Tool

HNDS-24736
Narrow Bushing



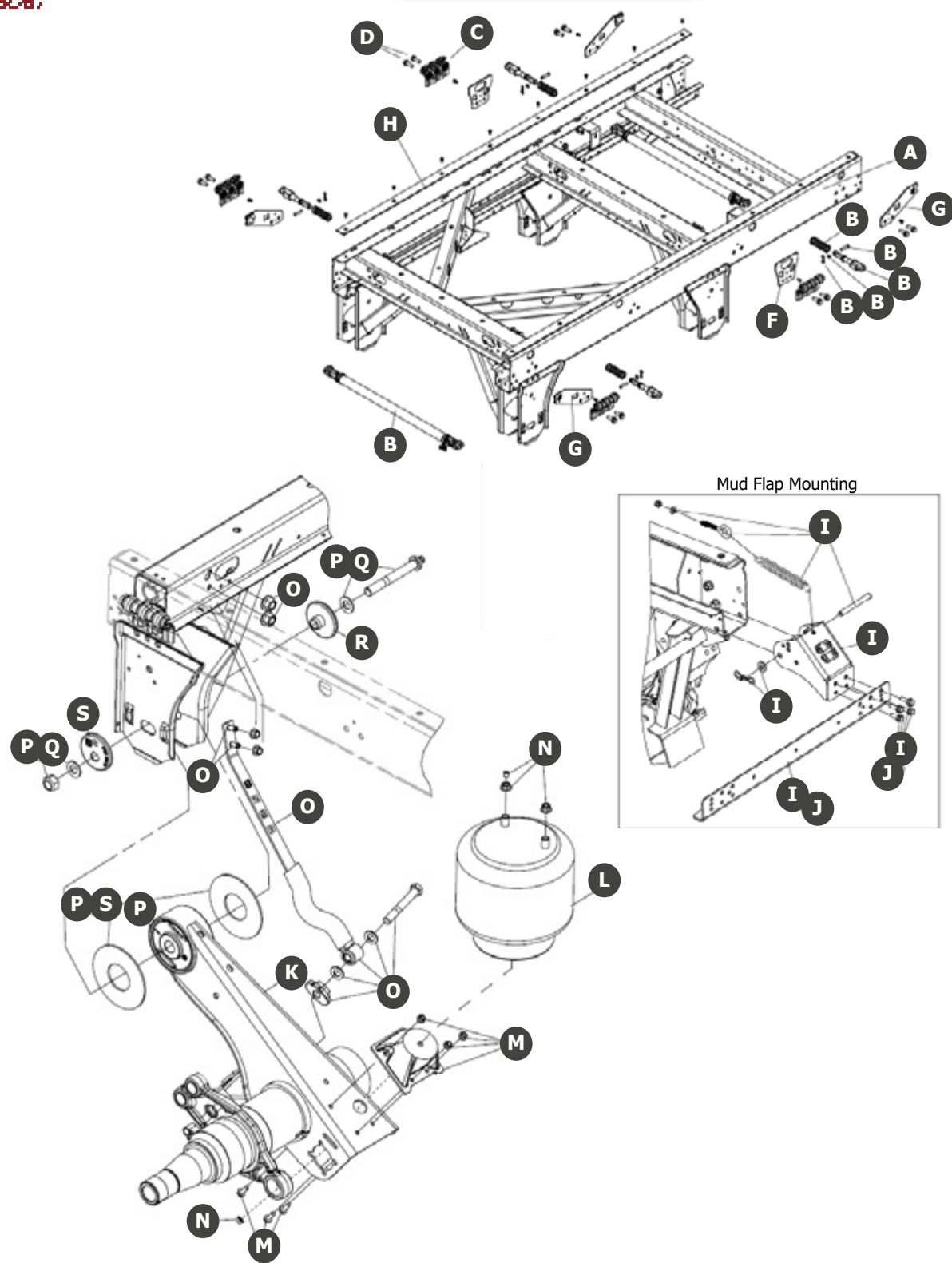
Note: Bushing tool HNDS-24736 is required to correctly re-bush the suspension.



Ultraa-K



49" Axle Spacing



Ultraa-K Bill of Materials

Item	Part Number	Description
A	Contact Sales	Aftermarket Slider Box Replacement
B	Contact Sales	Quik-Draw Components
C	HNDS-24459 HNDS-24460	Body Rail Clip, 3.4" Clip Height Body Rail Clip, 3.8" Clip Height
D	HNDSA-6900-2	Body Rail Bolt, 1/2"-13" x 1-1/2" Flanged Bolt
E	Contact Sales HNDA-22367	Body Rail Clip Spacer, 1.5" Clip Hole Centers (Not Shown) Body Rail Clip Spacer, 2" Clip Hole Centers (Not Shown)
F	HNDS-34860 HNDS-34859	Bolt-On Shim, .188" Thickness, 4" & 6" Body Rail Hole Spacing Bolt-On Shim, .232" Thickness, 4" & 6" Body Rail Hole Spacing
G	HNDS-34821-1 HNDS-34821-2 HNDS-35761-1 HNDS-35761-2	Bolt-On End Stop, .188" Thick, Roadside Front Rail & Curbside Rear Rail Bolt-On End Stop, .188" Thick, Curbside Front Rail & Roadside Rear Rail Bolt-On End Stop, .232" Thick, Roadside Front Rail & Curbside Rear Rail Bolt-On End Stop, .232" Thick, Curbside Front Rail & Roadside Rear Rail
H	HNDS-14342-3	Slider Wear Pad Kit
I	HNDS-34886	Mud Flap Bracket Kit
J	HNDS-35021	Mud Flap Angle Kit
K	Contact Sales	Halftraax Axle/Beam Weldment
L	HNDS-34733 HNDS-38000	ZMD Air Spring, Straight Piston ZMD Air Spring, Flared Piston
M	HNDS-27447-1	Cast Air Spring Pedestal Kit
N	HNDS-22619-2	Air Spring Mounting Kit, 16" RH
O	HNDS-40231-1	ZMD Down Stop Kit
P	HNDS-26321	Tri-Functional Pivot Bushing Kit
Q	HNDS-24705	Quik-Align Pivot Bolt Kit
R	HNDS-20924 HNDS-20925	Quik-Align Alignment Collars, Concentric (Inner) Quik-Align Alignment Collars, Eccentric (Outer)
S	HNDS-26807	Bushing Tube Spacer
T	HNDS-35310	Alignment Slot Repair Kit (Not Shown)
U	HNDS-24883	Air Tank Bracket Kit (Not Shown)
V	HNDVS-33704-3 HNDVS-33705-3 HNDVS-33703-3 HNDVS-33704-1 HNDVS-33705-1 HNDVS-33703-1	Height Control Valve Kits, Valves with Fittings (Not Shown) Height Control Valve Kits, HCV with Dump (Not Shown) Height Control Valve Kits, HCV with DST (Not Shown) Height Control Valve Kits, Link and Valves with Fittings (Not Shown) Height Control Valve Kits, HCV with Dump (Not Shown) Height Control Valve Kits, HCV with DST (Not Shown)
W	HNDVS-33702-1	Fixed Link Assembly (Not Shown)
X	HNDS-41186-1	Shock Spacer (Not Shown)

Note: Bushing tool HNDS-24736 is required to correctly re-bush the suspension.

Hutch-Style Body Rails

- HTH1271309
Overall Length: 192"
 - HTH1271328
Overall Length: 208"
 - HTH1271314
Overall Length: 216"
 - HTH1271317
Overall Length: 240"
- Hole Size: 1.832" for 1-5/8"
Pins 4" Hole C-C

SAF Holland Body Rails

- SAFSL0854-05
Length: 248", Binkley, Painted
 - SAFSL0854-20
Length: 296", Binkley, Painted
 - SAFSL0A1203-13
Length: 216", Great Dane, Painted
- Hole Size: 1.56" for 1-3/8" Pins
6" Hole C-C

Bushing Installation Tool

HNDS-24736
Narrow Bushing



Suspension | Hendrickson Ultraa-K

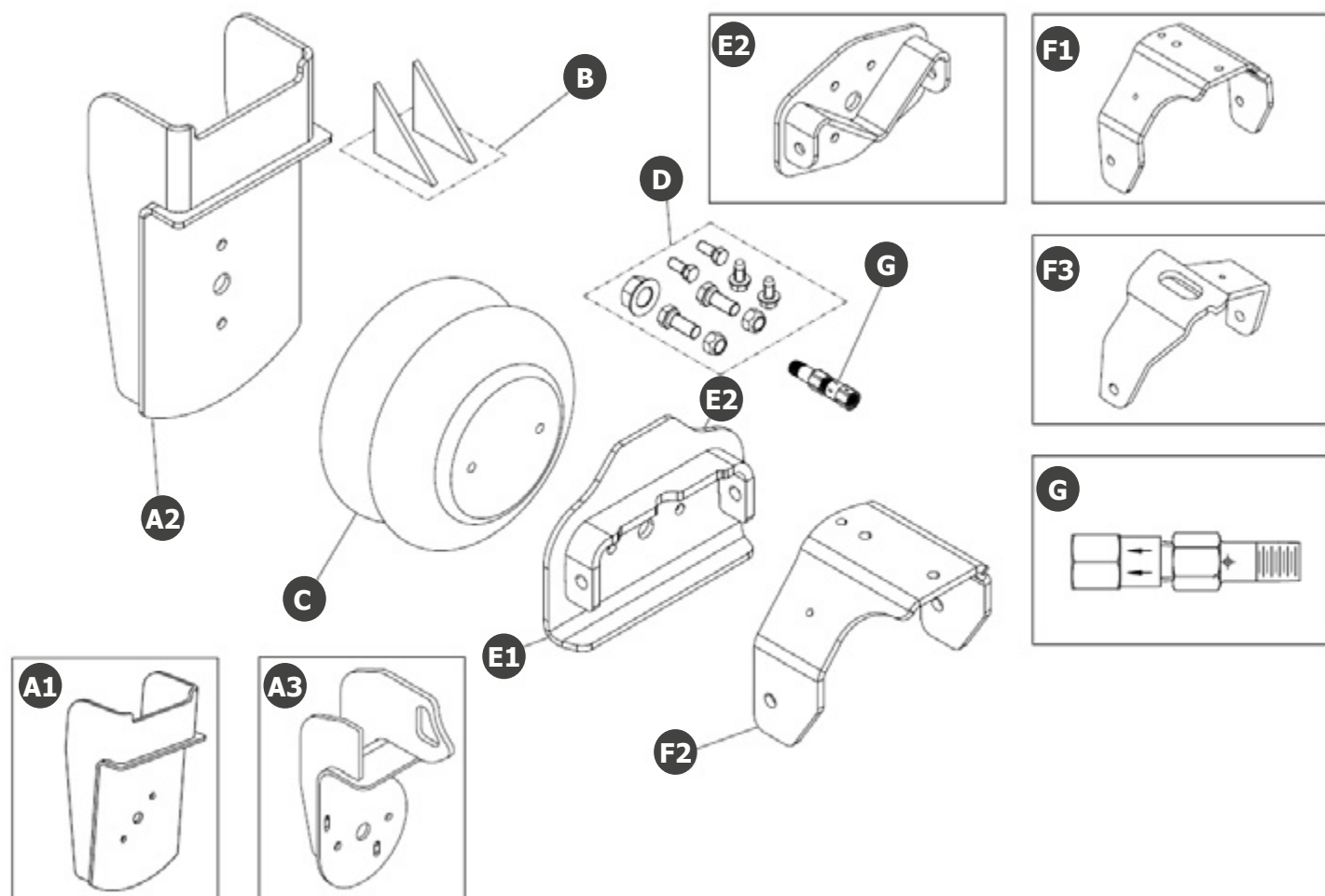


Under Beam Lift (UBL)



UBL-001, UBL-002, UBL-003, UBL-004 (Weld-on)

- Intraax AAT 23/25/30K
- Intraax AAL 23/25K
- Intraax AAEDT 30K
- Intraax AAEDL 30K
- Intraax AANT 23K
- HT Series HT230T/HT300T
- HT Series HT250T



Complete Assemblies

Part Number	Description
HNDUBL-001	Under Beam Lift Kit, Top Mount, AAT HT230 HT300
HNDUBL-002	Under Beam Lift Kit, AAL23/25K AAEDT30K/HT250T

Under Beam Lift (UBL) Bill of Materials

Item	Part Number	Description	Notes
A1	HNDD-23301C	Frame Bracket, UBL-001	AAT, HT230T and HT300T models; Primer
A2	HNDD-24658C	Frame Bracket, UBL-002 & UBL-003	AAL, AAEDT, AAEDL and HT250T models; Primer
A3	HNDC-28610-1C	Frame Bracket, UBL-004	AANT models; Primer
B	HNDS-2901-37	Gusset	Not for use with UBL-004
C	HNDS-23114-40	Air Spring	
D	HNDS-24614-2	Lift Assembly Bolt Kit	Includes (2) 1/2" bolts, (2) 3/8" bolts, (2) self-tapping screws (Not for use with AANT), (2) prevailing torque hex nuts and (1) hex nut.
E1	HNDS-27945	Lift Spring Plate Assembly, UBL-001, UBL-002, & UBL-003	AAT, AAL, AAEDT, AAEDL, HT230T, HT250T, & HT300T models
E2	HNDC-28614	Lift Spring Plate Assembly, UBL-004	AANT models
F1	HNDC-23299C	Lift Bracket, UBL-001	AAT, HT230T & HT300T; Primer
F2	HNDS-28537	Lift Bracket, UBL-002 & UBL-003	AAL, AAEDL, AAEDT and HT250T models; Primer
F3	HNDC-28617-1	Lift Bracket, UBL-004	AANT models
G	HNDVS-27214	Crossover Valve	Recommended for AAL 30K, AAEDL 30K and HT250T models

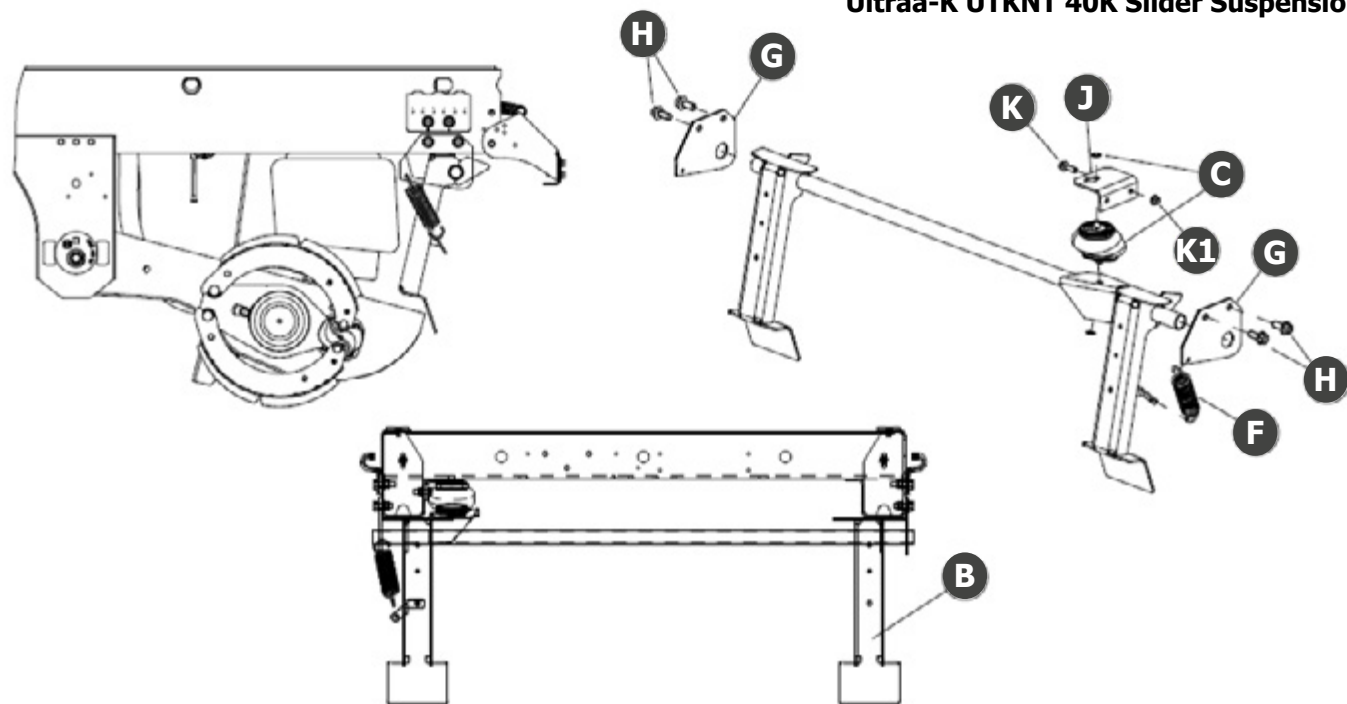
Product Family	Suspension	UBL Kit	Attachment		Coating		Comments
			Weld-On	Bolt-On	Painted	Galvanized	
Intraax	AAT 23/25/30K	UBL-001	X		X		Recommended for lifting in unloaded conditions only
		UBL-101		X	X		
		UBL-102		X		X	
	AAT 23/25/30K AAEDT 30K	UBL-002	X		X		Approved for lifting in loaded and unloaded condition
		UBL-201		X	X		
	AAL 30K AAEDL 30K	UBL-003	X		X		Approved for lifting in loaded and unloaded condition; includes crossover valve
		UBL-301		X	X		
		UBL-302		X		X	
	AANT	UBL-004	X		X		Recommended for lifting in unloaded conditions only
		UBL-401		X	X		
		UBL-402		X		X	
		UBL-005		X	X		
AANL	UBL-005		X	X		Approved for lifting in loaded and unloaded condition	
	UBL-005GV		X		X		
Intraax SP	AAZNT 23K, 46K AAZNT 69K23	UBL-401		X	X		
	AAZL23K, 46K	UBL-201		X	X		
HT Series	HT230/300	UBL-001	X		X		Recommended for lifting in unloaded conditions only
		UBL-002	X		X		
	HT250T	UBL-003	X		X		Approved for lifting in loaded and unloaded condition; includes crossover valve
Connex ST	CXSL 25K	UBL-201/202		X	X	X	Approved for lifting in loaded and unloaded condition
Vantraax	HKANL	UBL-005		X	X		
	HKAT	UBL-101		X	X		
	HKAL, HKARL	UBL-201		X	X		
	HKANT (Units built before Oct. 2016)	UBL-401		X	X		
	HKANT (Units built after Oct. 2016)	UBL-601		X	X		
UBL-602			X		X		



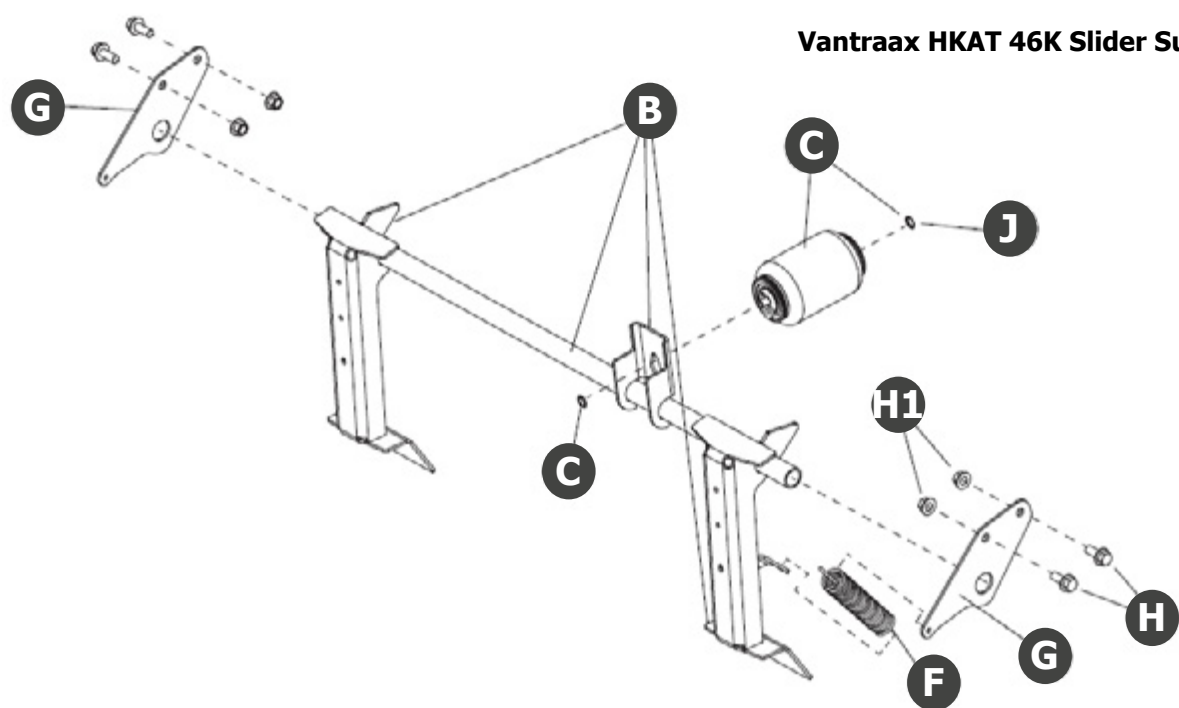
Surelok



Ultraa-K UTKNT 40K Slider Suspension



Vantraax HKAT 46K Slider Suspension



Complete Assemblies

Part Number	Description
HNDSLKAB.3	Surelok Kit Narrow/Long Beam Ultraa-K 40K, 48" Box, 16" Ride Height
HNDSLKP.11	Surelok Kit Narrow/Long Beams with .18" Shims, 48" Box, 16" Ride Height
HNDSLKP.6	Surelok Kit Retrofit, 48" Box, 16" Ride Height

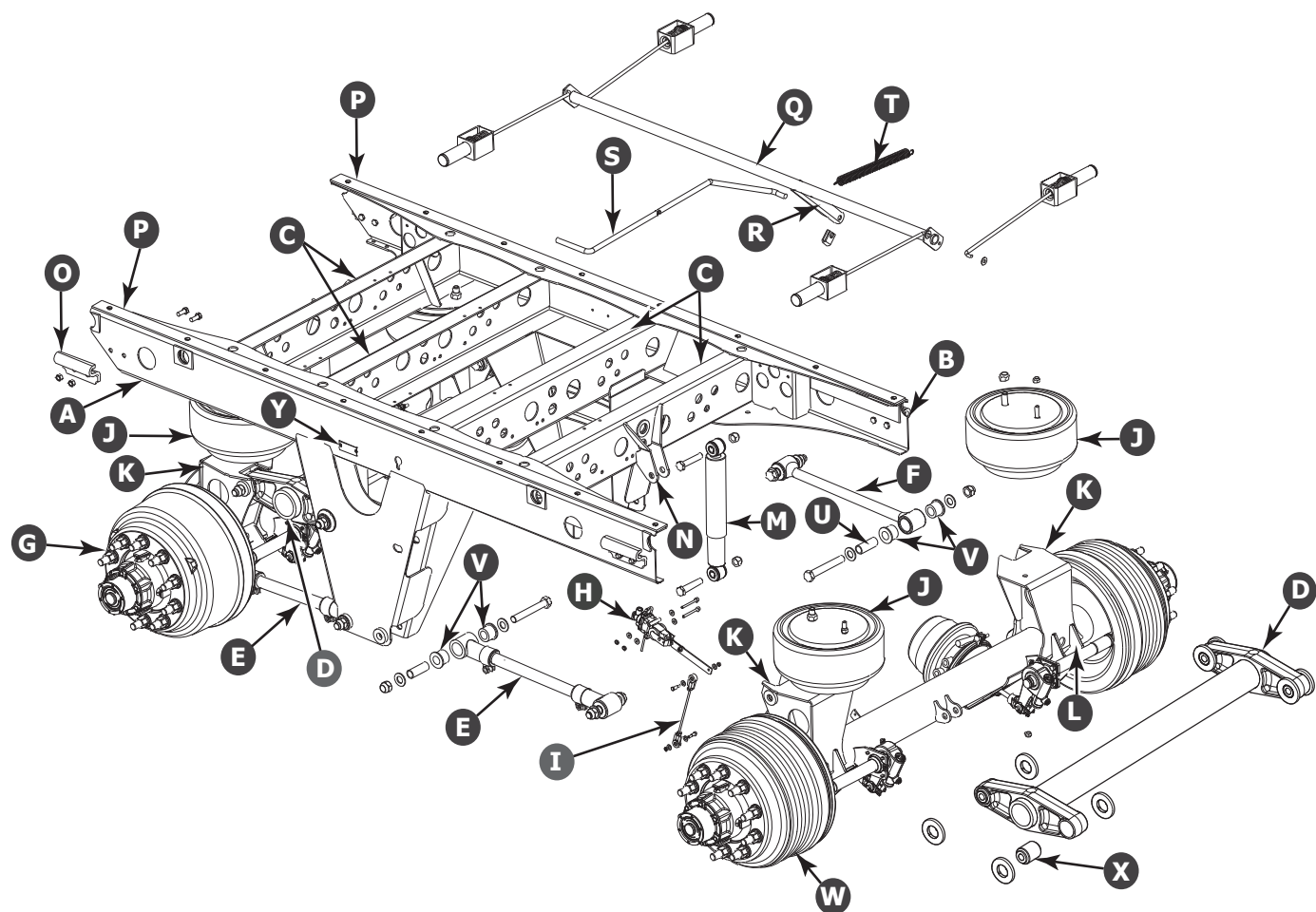
Surelok Bill of Materials

Item	Part Number	Description
Ultraa-K UTKNT 40K Slider Suspension		
A	Contact Sales	Surelok Retrofit Kit (Not Shown)
B	HNDS-31763-1C	Ride Height Rock Assembly, 48" Box, 16" RH
C	HNDS-25593	Air Spring Actuator Assembly
D	HNDS-27653-1 HNDS-27653-2	Beam Extension Weldments, Roadside (Not Shown) Beam Extension Weldments, Curbside (Not Shown)
E	HNDS-25516	Restraint Bolt Kit (Not Shown)
F	HNDB-26597	Spring, 1.50" x 6.63" x 0.177"
G	Contact Sales	Shaft Bracket
H	Contact Sales	Mounting Hardware for Bracket, 1/2"-13" Flanged Screw
I	HNDA-24482-1	Speed Nut (Not Shown)
J	HNDS-31765	Actuator Bracket
K	HNDSA-6900-5	Actuator Bracket Hardware, 3/8"-16" Flanged Screws
K1	HNDSA-7000-3	Actuator Bracket Hardware, 3/8"-16" Flanged Nut
Vantraax HKAT 46K Slider Suspension		
A	Contact Sales	Surelok Retrofit Kit
B	Contact Sales	Ride Height Lock Assembly
C	HNDS-25593	Air Spring Actuator Assembly
D	HNDD-27653-1 HNDD-27653-2	Beam Extension Weldments, Roadside (Not Shown) Beam Extension Weldments, Curbside (Not Shown)
E	HNDS-25516	Restraint Bolt Kit (Not Shown)
F	HNDB-26597	Spring, 1.35" x 6.125" x 0.177" (Units shipped before May 1999) Spring, 1.27" x 4.40" x 0.148" (Units shipped between May 1999 and Dec. 2001) Spring, 1.50" x 6.63" x 0.177" (Units shipped after Dec. 2001)
G	HNDS-36137	Shaft Bracket
H	Contact Sales	Mounting Hardware for Shaft Bracket, 1/2"-13" Flanged Screw
H1	HNDSA-7000-1	Mounting Hardware for Shaft Bracket, 1/2"-13" Flanged Nut
I	HNDSA-7000-3 HNDSA-6900-5	Mounting Hardware for Brake Chamber, 3/8"-16" Flanged Nut (Not Shown) Mounting Hardware for Brake Chamber, 3/8"-16" Flanged Screw (Not Shown)
J	HNDA-24482-1	Speed Nut



RHP11

49" Axle Spacing



Complete Assemblies

Part Number	Description
MERA7420E1045	RHP11 Slider, 48" FW, 16.5" Ride Height

Repair Kits

Part Number	Description
MERKIT11305	RHP/MPA Control Arm Assembly, 17-1/4" Length
MERKIT11300	RHP11 Control Arm Bushing & Bolt Kit (See Breakout)
MERKIT11102	RHP11 Low Control Arm Bolt Kit w/ Bushing (See Breakout)
MERKIT11320	RHP11 Bushing/Bolt Kit (See Breakout)

MERKIT11300

Control Arm Bushing & Bolt Kit, including:
 4 Bolts, 7/8-9 x 6 Long
 8 Washers, 7/8 ID
 4 Nuts, 7/8-9
 8 Thrust Washers
 4 Bushings, Rubber
 2 Alignment Washers, 3 OD x 7/8 ID



MERKIT11102

Control Arm Bushing & Bolt Kit, including:
 4 Bolts, 7/8-9 x 6 Long
 8 Flat Washers, 7/8 ID
 4 Nuts, 7/8-9
 8 Thrust Washers
 4 Bushings, Rubber
 2 Washers, 3 OD x 7/8 ID



MERKIT11320

Bushing/Bolt Kit, including:
 2 Bushings, Rubber
 4 Thrust Washers
 2 Nuts, 7/8-9
 2 Bolts, 7/8-9 x 6 Long
 4 Flat Washers, 7/8 ID
 1 Suspension - Grease
 2 Washers, 3 OD x 7/8 ID



RHP11 Bill of Materials

Item	Part Number	Description
A	Contact Sales	Slider Side Rail, Roadside
B	Contact Sales	Slider Side Rail, Curbside
C	Contact Sales	Slider Cross Member
D	MERKIT11305	Upper Control Arm
E	MERA13133P9688	Lower Control Arm, Adjustable
F	Contact Sales	Lower Control Arm, Fixed
G	Contact Sales	Axle Assembly, Front
H	MERKIT11309	Height Control Air Valve (Hadley 500 Model shown)
I	MER2255D1408	Height Control Linkage
J	MERA2258F1410	Air Spring
K	MERKIT11331	Upper Axle Seat
L	MERKIT11331	Lower Axle Seat
M	MERM85919	Shock Absorber
N	Contact Sales	Clevis, Shock
O	MER2257P1264	Hold Down Clip
P	MERM312508	Slider Wear Pad
Q	MERM306534	EZ-Pull 2 Replacement Kit
R	Contact Sales	Lever Arm
S	MERM306513	Pin Release Handle
T	MERM306512	Tension Spring, Linkage Return Spring
U	Contact Sales	Lower Inner Sleeve, Bushing Inner Metal
V	Contact Sales	Lower Bushing
W	Contact Sales	Axle Assembly, Rear
X	Contact Sales	Upper Bushing
Y	Contact Sales	Suspension Tag

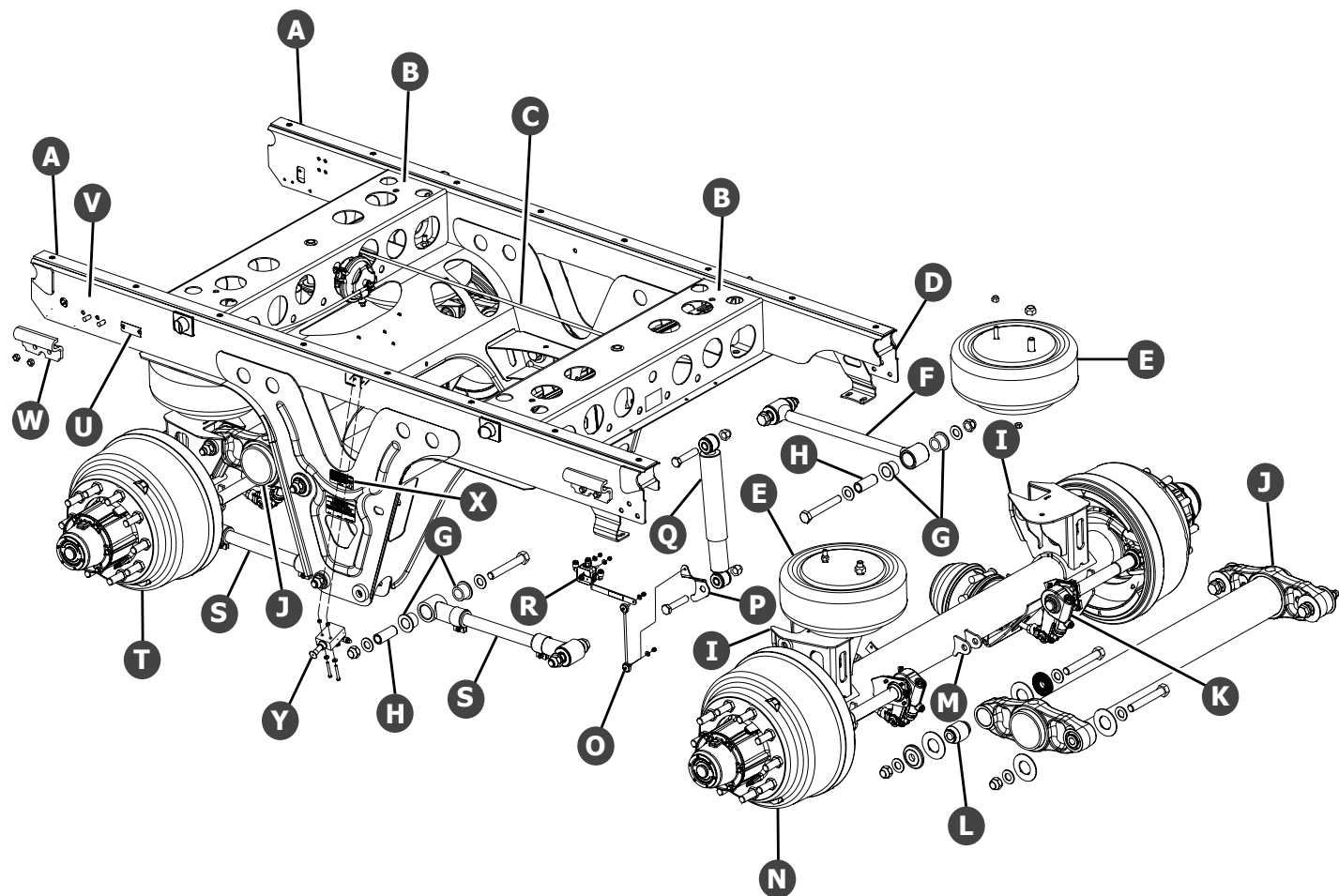


MPA40

49" Axle Spacing



Suspension | Meritor MPA40



Repair Kits

Part Number	Description
MERKIT11305	RHP/MPA Control Arm Assembly, 17-1/4" Length
MERKIT11300	RHP11 Control Arm Bushing & Bolt Kit (See Breakout)
MERKIT11102	RHP11 Low Control Arm Bolt Kit w/ Bushing (See Breakout)
MERKIT11320	RHP11 Bushing/Bolt Kit (See Breakout)

MPA40 Bill of Materials

Item	Part Number	Description
A	MERM312508	Slider Wear Pad
B	Contact Sales	Slider Cross Member
C	Contact Sales	Meritor PinLoc System
D	Contact Sales	Slider Side Rail, Curbside
E	MERA2258F1410	Air Spring
F	Contact Sales	Lower Control Arm, Fixed
G	Contact Sales	Lower Bushing
H	Contact Sales	Lower Inner Sleeve, Bushing Inner Metal
I	MERKIT11331	Upper Axle Seat
J	MERKIT11305	Upper Control Arm
K	MERKIT11331	Lower Axle Seat
L	Contact Sales	Upper Bushing
M	Contact Sales	Clevis, Shock
N	Contact Sales	Axle Assembly, Rear
O	MER2255D1408	Height Control Linkage
P	Contact Sales	Lower Shock Mounting Bracket
Q	MERM85919	Shock Absorber
R	Contact Sales	Ride Height Control Air Valve
S	Contact Sales	Lower Control Arm, Adjustable
T	Contact Sales	Axle Assembly, Front
U	Contact Sales	Suspension Tag
V	Contact Sales	Slider Slide Rail, Roadside
W	MER2257P1264	Hold Down Clip
X	Contact Sales	PinLoc Operation Label
Y	Contact Sales	PinLoc Control Valve

MERKIT11300

Control Arm Bushing & Bolt Kit, including:
 4 Bolts, 7/8-9 x 6 Long
 8 Washers, 7/8 ID
 4 Nuts, 7/8-9
 8 Thrust Washers
 4 Bushings, Rubber
 2 Alignment Washers, 3 OD x 7/8 ID



MERKIT11102

Control Arm Bushing & Bolt Kit, including:
 4 Bolts, 7/8-9 x 6 Long
 8 Flat Washers, 7/8 ID
 4 Nuts, 7/8-9
 8 Thrust Washers
 4 Bushings, Rubber
 2 Washers, 3 OD x 7/8 ID



MERKIT11320

Bushing/Bolt Kit, including:
 2 Bushings, Rubber
 4 Thrust Washers
 2 Nuts, 7/8-9
 2 Bolts, 7/8-9 x 6 Long
 4 Flat Washers, 7/8 ID
 1 Suspension - Grease
 2 Washers, 3 OD x 7/8 ID



Suspension | Meritor MPA40



U-Bolt

Part Number	Description	Size	Type
1214264KIT	U-Bolt Kit	3/4x3RDx12-5/8	Round
1214352KIT	U-Bolt Kit	3/4x3RDx13-5/8	Round
1214265KIT	U-Bolt Kit	3/4x3RDx15-5/8	Round
1214353KIT	U-Bolt Kit	3/4x3RDx16-5/8	Round
1214266KIT	U-Bolt Kit	3/4x3RDx18-5/8	Round
1014309KIT	U-Bolt Kit	7/8x3.5RDx15	Round
1014310KIT	U-Bolt Kit	7/8x3.5RDx16	Round
1014350KIT	U-Bolt Kit	7/8x3RDx11	Round
1014264KIT	U-Bolt Kit	7/8x3RDx12	Round
1014352KIT	U-Bolt Kit	7/8x3RDx13	Round
1014353KIT	U-Bolt Kit	7/8x3RDx14	Round
1014265KIT	U-Bolt Kit	7/8x3RDx15	Round
1014355KIT	U-Bolt Kit	7/8x3RDx16	Round
1014358KIT	U-Bolt Kit	7/8x3RDx17	Round
1014266KIT	U-Bolt Kit	7/8x3RDx18	Round
1014267KIT	U-Bolt Kit	7/8x5RDx12	Round
1014269KIT	U-Bolt Kit	7/8x5RDx14.09	Round
1014268KIT	U-Bolt Kit	7/8x5RDx15	Round
1214370KIT	U-Bolt Kit	3/4x3.19SQx11.38	Square
1214356KIT	U-Bolt Kit	3/4x3SQx10	Square
1214354KIT	U-Bolt Kit	3/4x3SQx12-1/8	Square
1014274KIT	U-Bolt Kit	7/8x5SQx15	Square



Square U-Bolt Kit
1214354KIT



Round U-Bolt Kit
1014352KIT

Air Springs

Fleetcraft	Continental	Firestone	Hendrickson		
--	CT65807	W01-358-0783	--		
--	CT64284	W01-358-7555	--		
FC108050	CT64254	W01-358-8050	--		
FC108091	CT64421	W01-358-8091	HNDS-20901-48		
FC108204	CT64456	W01-358-8204	--		
FC108708	CT64638	W01-358-8708	HNDS-21966-48		



Fleetcraft	Continental	Firestone	Hendrickson		
FC108709	CT64645	W01-358-8709	HNDS-21800-48		
FC108713	CT64636	W01-358-8713	HNDS-22948-48		
FC108729	CT75741	W01-358-8729	--		
FC108755	CT64397	W01-358-8755	HNDS-22045-48		
--	CT65593	W01-358-8774	HNDS-25873		
--	CT66666	W01-358-8864	--		



Fleetcraft	Continental	Firestone	Hendrickson		
FC109082	CT64269	W01-358-9082	--		
FC109270	CT64287	W01-358-9270	HNDS-20010-32		
--	CT64439	W01-358-9307	--		
FC109580	CT64394	W01-358-9580	HNDS-20127-24		
--	CT64395	W01-358-9640	HNDS-20223		
FC109780	CT67473	W01-358-9780	--		

ROAD EQUIPMENT PARTS CENTER



Fleetcraft	Continental	Firestone	Hendrickson		
FC109807	CT68151	W01-358-9807	--		
FC109974	CT67586	W01-358-9974	--		
FC109978	CT67588	W01-358-9978	HNDS-28929-48		
FC101191	CT73746	W01-358-1191	--		
FC109781	CT64266	W01-358-9781	--		
--	CT64683	W01-358-7897	HNDS-23114-40		

Suspension | Air Springs

ROAD EQUIPMENT PARTS CENTER



Fleetcraft	Continental	Firestone	Hendrickson		
--	CT64696	--	HNDS-23613		
--	CT64695	--	HNDS-23612		
FC109265	CT64288	--	HNDS-20124-32		

Suspension | Air Springs



Continental Air Spring Systems is one of the world's largest air spring manufacturers. Continental has been developing diverse solutions to meet our global customer's needs and requirements for over five decades. From this experience, Continental now offers the world's largest range of air springs. Continental's unique test facilities can simulate every suspension kinematics, plus cover all the significantly relevant force and frequency data developed in operational testing.

The Continental durability tests can simulate the full service life of any commercial vehicle. Together with the results obtained in test drives, this enables Continental to supply reliable performance data on all suspension properties.

Since the 1930's, Firestone has designed and manufactured more air springs for more applications than any other company in the world. As a result, almost all Class 8 trucks and many of the trailers on the road today now ride on air springs.

Firestone engineers lead the way in developing and testing anti-vibration solutions for a variety of commercial vehicle applications, including truck cabins and interiors, seats, chassis mounts and powertrain mounts.



Continental	Firestone	Hendrickson		
CT64697	--	HNDS-23614		
CT64692	--	HNDS-23720		
CT64693	--	HNDS-23721		
CT73913	--	HNDS-25872		
--	W01-358-8744	HNDS-25873		



Continental
CONTITECH
Air Spring Application



Firestone
Air Spring Application

Air Springs - Hendrickson

Hendrickson		
HNDS-34733	ZMD Pre-2019 Air Spring	
HNDS-38000	ZMD Post-2019 Air Spring	
HNDS-33161	ZMD INTRAAX HKANT 40K, 16" RH, requires QUIK-DRAW	



Air Spring Information

Fleetcraft	Continental	Firestone	Hendrickson	Application
--	CT65807	W01-358-0783	--	Trailer
--	CT64284	W01-358-7555	--	Convolute Parts, Reyco 23/25/30AR - Single/Tandem Axle Trailer Air Suspension; Reyco 86AR - Single/Tandem Axle Trailer Air Suspension; Reyco 21AR - Single/Tandem Axle Trailer Air Suspension, Trailer
FC108050	CT64254	W01-358-8050	--	HL-105 Truck HD Aux (Ride); HT 300T Top mount, Trailer
FC108091	CT64421	W01-358-8091	HNDS-20901-48	INTRAAX ATT 25K; INTRAAX AANT 23K - Low pressure; INTRAAX-SP AAZNT 23K/46K/69K23 - low pressure; VANTRAAX HKAT 50K / HKA250 (14-15" RH), Trailer
FC108204	CT64456	W01-358-8204	--	Holland (Neway) RL196A-12; Newlite (NS 190-16); Neway RL196/196A/228 - Trailer Air Suspensions, Truck
FC108708	CT64638	W01-358-8708	HNDS-21966-48	Trailer, VANTRAAX HKANT 69K23 (16-18" RH)
FC108709	CT64645	W01-358-8709	HNDS-21800-48	INTRAAX ATT 23K; INTRAAX AANT 23K - Estandar pressure; INTRAAX-SP AAZNT 23K/46K/69K23 - estandar pressure; VANTRAAX HKANT 46K / HKAT 46K / HKA200 (16" RH & below); VANTRAAX HKANT 46K / HKAT 46K / HKA200 (14 - 15" RH); VANTRAAX HKANT 69K23 (15" RH); OPTIMAAX, Trailer
FC108713	CT64636	W01-358-8713	HNDS-22948-48	Trailer, VANTRAAX HK ANT 40K / HKA 180 prior January 2008; VANTRAAX HKANT 46K / HKAT 46K / HKA200 (16" RH & above); VANTRAAX HKANT 46K / HKAT 46K / HKA200 (16-19" RH)
FC108729	CT75741	W01-358-8729	--	Trailer



Air Spring Application

Fleetcraft	Continental	Firestone	Hendrickson	Application
--	CT65807	W01-358-0783	--	Trailer
--	CT64284	W01-358-7555	--	Convoluted Parts, Reyco 23/25/30AR - Single/Tandem Axle Trailer Air Suspension Reyco 86AR - Single/Tandem Axle Trailer Air Suspension; Reyco 21AR - Single/Tandem Axle Trailer Air Suspension, Trailer
FC108050	CT64254	W01-358-8050	--	HL-105 Truck HD Aux (Ride); HT 300T Top mount, Trailer
FC108091	CT64421	W01-358-8091	HNDS-20901-48	INTRAAX ATT 25K; INTRAAX AANT 23K - Low pressure; INTRAAX-SP AAZNT 23K/46K/69K23 - low pressure; VANTRAAX HKAT 50K / HKA250 (14-15" RH), Trailer
FC108204	CT64456	W01-358-8204	--	Holland (Neway) RL196A-12; Newlite (NS 190-16); Neway RL196/196A/228 - Trailer Air Suspensions, Truck
FC108708	CT64638	W01-358-8708	HNDS-21966-48	Trailer, VANTRAAX HKANT 69K23 (16-18" RH)
FC108709	CT64645	W01-358-8709	HNDS-21800-48	INTRAAX ATT 23K; INTRAAX AANT 23K - Estandar pressure; INTRAAX-SP AAZNT 23K/46K/69K23 - estandar pressure; VANTRAAX HKANT 46K / HKAT 46K / HKA200 (16" RH & below); VANTRAAX HKANT 46K / HKAT 46K / HKA200 (14 - 15" RH); VANTRAAX HKANT 69K23 (15" RH); OPTIMAAX, Trailer
FC108713	CT64636	W01-358-8713	HNDS-22948-48	Trailer, VANTRAAX HK ANT 40K / HKA 180 prior January 2008; VANTRAAX HKANT 46K / HKAT 46K / HKA200 (16" RH & above); VANTRAAX HKANT 46K / HKAT 46K / HKA200 (16-19" RH)
FC108729	CT75741	W01-358-8729	--	Trailer
FC108755	CT64397	W01-358-8755	HNDS-22045-48	Trailer, VANTRAAX HK190T Slider Series
--	CT65593	W01-358-8774	HNDS-25873	INTRAAX ATT 30K; Watson TI 250/300T Integra Series, Trailer
--	CT66666	W01-358-8864	--	Peterbilt - Air Glide 210 Low Air "Twisted Sister"; (Kenworth AG210/400L) Single/Tandem Axle Rear Air Suspension, Truck
FC109082	CT64269	W01-358-9082	--	Hendrickson H1200 (Mk2/LMk2/E/F) Trailer Air & Air Lift Suspensions; Neway ART500/505/541/550/551/555 - Non-Powered Tractor Air Suspensions; Neway ARD120/238, 125/244, 234 - Single/Tandem Drive Axle Air Suspensions; Neway ARDST123/244, 246, 250, ARDSTM/L 123/246 - Single/Tandem Drive Axle Suspensions; Reyco 23/25/30AR - Single/Tandem Axle Trailer Air Suspension, Truck; Trailer
FC109270	CT64287	W01-358-9270	HNDS-20010-32	HT 230 Top mount; HT250 US (4" RH), Trailer (Dolly)
--	CT64439	W01-358-9307	--	Holland (Neway) AR-41, 45 & 45-1 (plastic), Trailer
--	CT64394	W01-358-9580	HNDS-20127-24	HT 250T Top mount; HT 250U Underslung; HT Y BEM; HT 250US (5.5-14" HR), Trailer
--	CT64395	W01-358-9640	HNDS-20223	HT 190T Top mount - 20K, Trailer (Dolly)
FC109780	CT67473	W01-358-9780	--	Freightliner - FASII Airliner (Current Production); Single/Tandem Axle Air Suspension (1990+); 40k; Composite Piston, Truck
FC109807	CT68151	W01-358-9807	--	Neway CB2300, CBX23/25 Top Mount; CB400/4000 Slider - Trailer Air Suspensions, Trailer
FC109974	CT67586	W01-358-9974	--	Trailer
FC109978	CT67588	W01-358-9978	HNDS-28929-48	Trailer, VANTRAAX HK ANT 40K / HKA 180; after January 2008
FC101191	CT73746	W01-358-1191	--	Navistar/International - Corporate Air Suspension; Rear Single/Tandem Axle - Air Beam
FC109781	CT64266	W01-358-9781	--	Freightliner - FASII Airliner (Current Production); Single/Tandem Axle Air Suspension (1990+); 40k; Composite Piston, Truck
--	CT64683	W01-358-7897	HNDS-23114-40	Convoluted Parts, Small lift UBL (Under Beam Lift) + VANTRAXX + INTRAXX + HT Series OPTIMAAX, Trailer

Fleetcraft	Continental	Firestone	Hendrickson	Application
--	CT64696	--	HNDS-23613	INTRAAX AAL 23K (8-9" ride height); INTRAAX AANL 23K (8-9" ride height); INTRAAX SP AAZL 23K/46K; VANTRAAX HKAL 46K; VANTRAAX HKARL 46K Ramp Ready Slider, Trailer
--	CT64695	--	HNDS-23612	INTRAAX AAL 25K (12-19" ride height); INTRAAX AANL 25K (12-19" ride height); INTRAAX SP AAZL 23K/46K, Trailer
FC109265	CT64288	--	HNDS-20124-32	HT 250U Underslung, Trailer
--	CT64697	--	HNDS-23614	INTRAAX AAL 23K (12-19" ride height); INTRAAX AANL 23K (12-19" ride height); INTRAAX SP AAZL 23K/46K; VANTRAAX HKARL 46K Ramp Ready Slider, Trailer
--	CT64692	--	HNDS-23720	INTRAAX AAL 23K (12-19" ride height); INTRAAX AANL 23K (12-19" ride height); INTRAAX SP AAZL 23K/46K; VANTRAAX HKARL 46K Ramp Ready Slider, Trailer
--	CT64693	--	HNDS-23721	INTRAAX AAL 25K (6.5-7.5" ride height); INTRAAX AANL 25K (6.5-7.5" ride height); INTRAAX AANLS 20K (all ride heights); INTRAAX SP AAZL 23K/46K, Trailer
--	CT73913	--	HNDS-25872	INTRAAX AAL 30K (12-19" ride heights), Trailer
--	--	W01-358-8744	HNDS-25873	INTRAAX AAT 30K
--	--	--	HNDS-33161	INTRAAX HKANT 40K, 16" RH, requires QUIK-DRAW
--	--	--	HNDS-34733	ULTRAA-K® UTKNT 40K slider (units built before March 2019)
--	--	--	HNDS-38000	ULTRAA-K UTKNT 40K slider (units built after March 2019)





Shock Absorbers



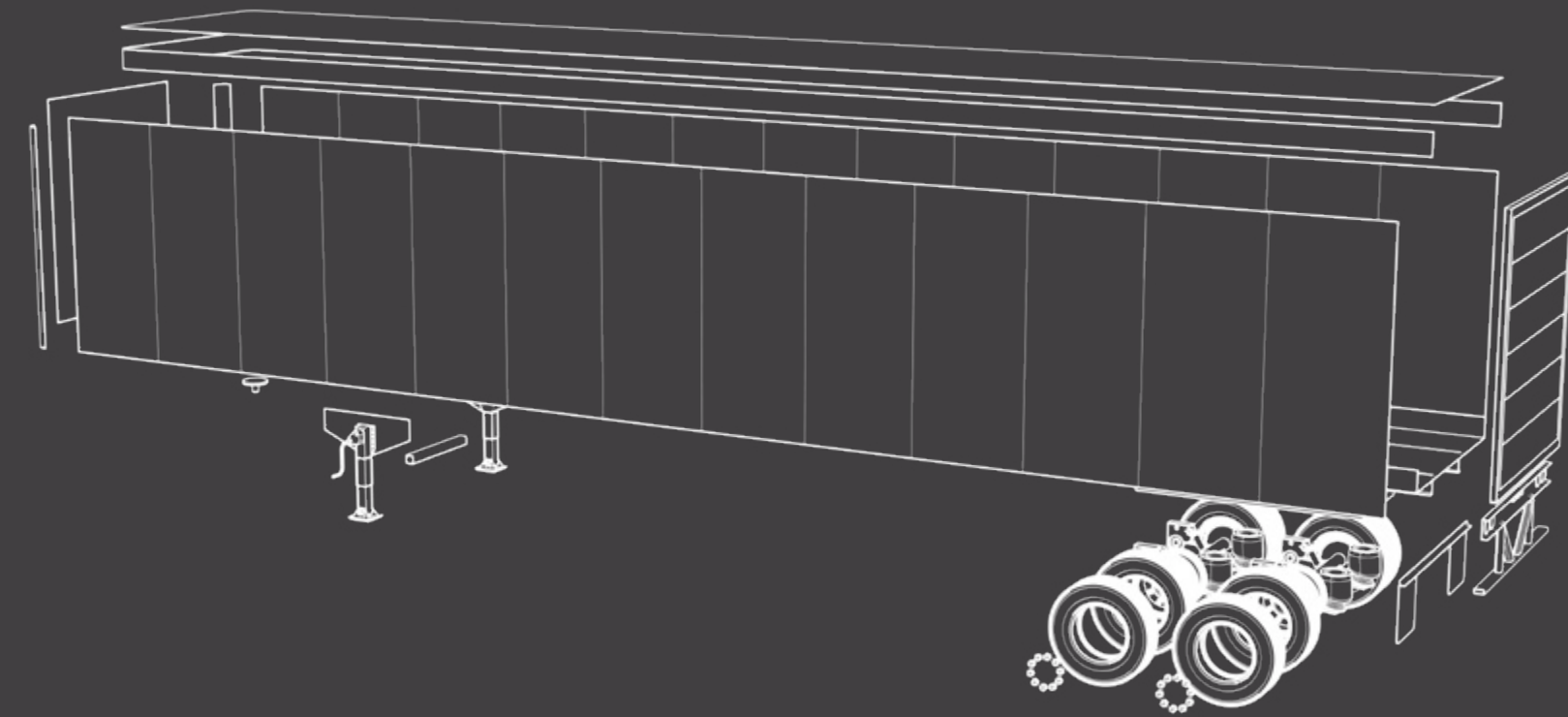
Monroe	Gabriel	OEM	Extended Length	Compressed Length	Travel	Bore	Application	Upper Mount
66893M	GAB83203	HNDS-23566	17.4531"	11.9375"	5.515"	1.38"	Wabash/Watson Chalin	3/4" Sleeve ID X 1.3/4" Sleeve OAL
66608M	GAB83128	HNDS-24088	16.8281"	11.6875"	5.14"	1.75"	Wabash/Stoughton	3/4" Sleeve ID X 1.3/4" Sleeve OAL
65528M	GAB85069	--	26.313"	15.938"	10.375"	3.3125"	Kenworth/Peterbilt	3.5/16" Stem Length X 5/8"-11 Thread Pitch
65495M	GAB85067	--	30.5"	18.3594"	12.141"	1.75"	Kenworth/Peterbilt	5/8" Sleeve ID X 3.9/16" Sleeve OAL
65492M	GAB85931	--	22.5"	14.5"	8"	4"	International	5/8"-16mm Sleeve ID X 3 9/16" Sleeve OAL
65490M	GAB85724	--	22.9063"	15"	7.906"	3.1875"	Freightliner/Western Star/TBB	3/4" Sleeve ID X 3.13/16" Sleeve OAL
65486M	GAB85066	--	24.98"	15.625"	9.355"	1.75"	Volvo/Mack	5/8" Sleeve ID X 4" Sleeve OAL
65468M	GAB85069	--	26"	15.625"	10.375"	3.3125"	Kenworth/Peterbilt	3.5/16" Stem Length X 5/8"-11 Thread Pitch
65419M	GAB83389	HNDS-20001	17"	11.625"	5.375"	1.75"	Great Dane/Stoughton/Utility/Wabash	3/4" Sleeve ID X 1.3/4" Sleeve OAL
65416M	GAB85000	HNDS-20002 / HNDS-24023	17.75"	11.99"	5.76"	1.75"	Great Dane/East/Stoughton/Wabash	3/4" Sleeve ID X 1.3/4" Sleeve OAL
65175M	GAB85084	--	20.625"	13.1875"	7.437"	1.75"	Kenworth/Peterbilt	5/8" Sleeve ID X 3.9/16" Sleeve OAL
65158M	GAB85954	--	20.73"	13.19"	7.54"	1.75"	International	5/8" Sleeve ID X 2" Sleeve OAL
65148M	GAB85918	--	22.75"	14.625"	8.125"	1.75"	Freightliner/Western Star/TBB	3/4" Sleeve ID X 2.5/16" Sleeve OAL
65101M	GAB85062	--	19.6719"	12.6875"	6.984"	1.75"	Kenworth/Peterbilt	3/4" Bushing ID X 1.9/16" Bushing OAL
65503M	GAB85919	--	22.125"	14.2969"	7.82813"	1.75"	Great Dane/Wabash	3/4" Sleeve ID X 1.3/4" Sleeve OAL
65431M	GAB85909	HNDS-25436	24.3125"	15.31"	9.003"	1.75"	Neway	3/4" Sleeve ID X 1.3/4" Sleeve OAL
65511M	GAB85939	HNDS-23651	14.5"	10.3438"	4.156"	1.75"	Utility	3/4" Sleeve ID X 1.3/4" Sleeve OAL
65512M	GAB85938	HNDS-23649	15.91"	11.0625"	4.847"	1.75"	Hendrickson/Watson Chalin/Reyco	3/4" Sleeve ID X 1.3/4" Sleeve OAL
66969M	GAB83126	HNDS-23548	24.45"	15.43"	9.02"	1.75"	Freightliner/International/Kenworth/Peterbilt	3/4" Sleeve ID X 1.3/4" Sleeve OAL
65433M	GAB85910	HNDS-23316	20.6094"	13.5938"	7.015"	1.75"	Freightliner/Peterbilt/Spartan	3/4" Sleeve ID X 1.3/4" Sleeve OAL
66634M	GAB83203	SAF90045040	17.8594"	12.1875"	5.671"	1.75"	Wabash	3/4" Sleeve ID X 1.3/4" Sleeve OAL

Leaf Springs

Alternate 1	Alternate 2	Alternate 3	Leaf Count	Arch Type	Rating	Diagram
365-01	TRA2741A	EMITRA2741USA	2	Low	22,400 lbs	
354-00	TRA2726A	EMITRA2726USA	3	High	22,400 lbs	
355-00	TRA2727A	EMITRA2727USA	3	Med	22,400 lbs	
356-00	TRA2728A	EMITRA2728USA	3	Low	22,400 lbs	
365-00	TRA2740A	EMITRA2740USA	3	High	25,000 lbs	
0837601	TRA2291	--	3	Med	20,000 lbs	
15636-01	TRA038	--	1	Med	25,000 lbs	
T3564	TRA2270	--	8	Med	22,000 lbs	
363-00	TRA-021	--	1	Low	22,400 lbs	



**ROAD EQUIPMENT
PARTS CENTER**

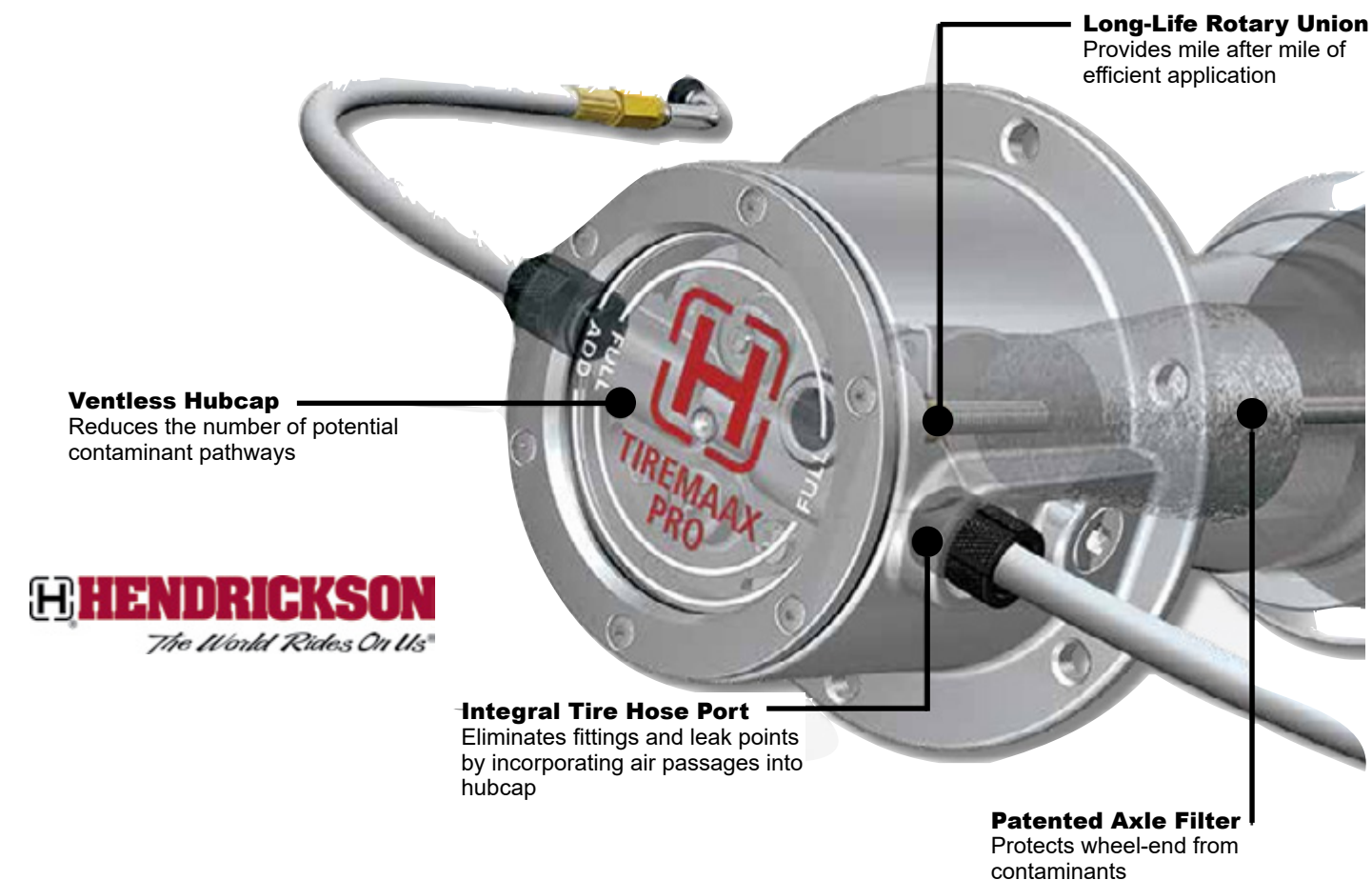


Tire Inflation TPMS



Hendrickson Tiremaax

Hubcaps



TIREMAAX LINEUP

TIREMAAX CP

Reacts to underinflated conditions

- Automatically inflates tires to factory pre-set target pressure setting
- Continually checks tire pressure without pressurizing the axle or wheel-ends

TIREMAAX PRO

Responds to under and overinflated conditions as well as inconsistent pressures between mismatched duals

- Automatically inflates tires to factory pre-set target pressure setting
- Prevents overinflation by relieving air from tires back through the controller
- Equalizes tire pressure at every wheel position to help reduce scrubbing between dual tires for improved tire life

TIREMAAX PRO-LB

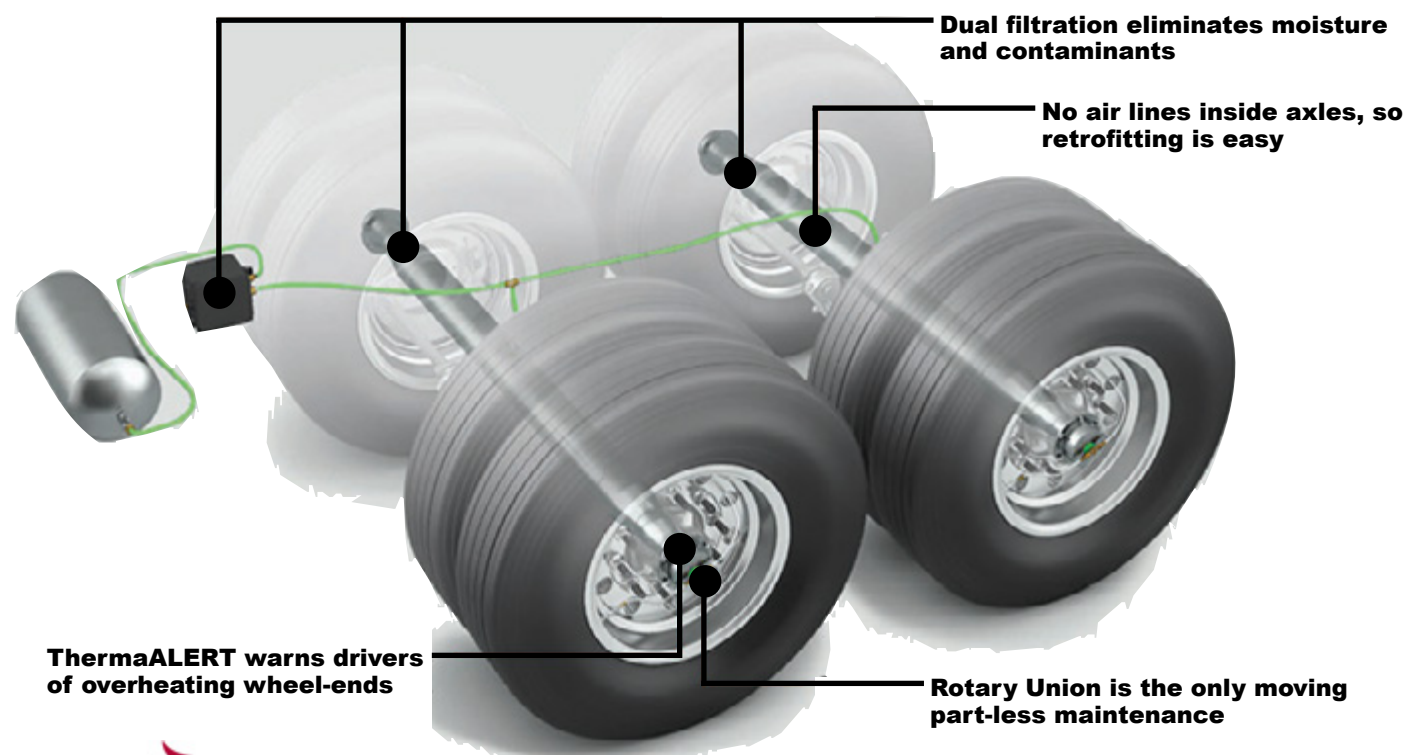
Adjusts for under and overinflated conditions, inconsistent pressure between mismatched duals and changes in trailer load

- Optimizes tire pressure across all loading conditions to help prevent irregular wear and maximize uptime
- Helps improve trailer handling and tread wear when lightly loaded
- Tailored for carriers that seldom gross-out and/or travel many empty miles

Part No.	Description	Lubricant Type	Bolt Circle (In)	Bolt Holes	Image
HNDVS-32055-1	Tiremaax Pro HN Hubcap	Oil	5-1/2"	6	
HNDVS-32055-3	Tiremaax Pro HN Hubcap	Grease	5-1/2"	6	
HNDVS-32056-1	Tiremaax Pro HP Hubcap	Oil	6-3/4"	6	
HNDVS-32056-3	Tiremaax Pro HP Hubcap	Grease	6-3/4"	6	
HNDVS-32068-1	Tiremaax CP HN Hubcap	Oil	5-1/2"	6	
HNDVS-32068-3	Tiremaax CP HN Hubcap	Grease	5-1/2"	6	
HNDVS-32070-1	Tiremaax CP HP Hubcap	Oil	6-3/4"	6	
HNDVS-32070-3	Tiremaax CP HP Hubcap	Grease	6-3/4"	6	
HNDVS-32054-3	Tiremaax Pro Hubcap Window Kit				



Meritor PSI



MERITOR TIRE INFLATION SYSTEMS (MTIS) FEATURES & BENEFITS

Extends Tire Life

- Federal Motor Carrier Safety Administration (FMCSA) and U.S. Environmental Protection Agency (EPA) studies show a 10% larger tire life with tire inflation systems
- Continuous inflation prevents early retreading and reduces fleet tire costs
- Helps preserve tire casing for maximum retreading quality

Increases Fuel Economy

- Proper tire pressure means better fuel economy
- Proven 1.4% average improvement in fuel economy per vehicle based on a FMCSA real-world study on tire inflation systems

Decreases Fleet Maintenance Costs

- Less time spent on manual pressure checking and filling
- Longer intervals between retreads

Improves Safety

- Prevents underinflation, which is leading cause of tire blowouts
- Reduces the risk of road accidents caused by inflation
- Delivers real-time warnings for tire issues

Hubcaps

Part No.	Description	Lubricant Type	Bolt Circle (In)	Bolt Holes	Image
340-4372	PSI Hubcap	Grease	6-3/4"	6	
343-4370	PSI Hubcap, Short Tube	Oil	5-1/2"	6	
343-4372	PSI Hubcap, Long Tube	Oil	6-3/4"	6	

Control Boxes

Part No.	Description
MER3108301	Control Box - Empty Box, Lid and Screws
MER3108328	Control Box Lid w/ Screws, Gaskets, + Decals
MER3109200	Manifold Control Box Assembly, Complete 100 PSI
MER310920085	Manifold Control Box, Preset 85 PSI
MER3110300	Control Box Self-Draining Filter



MER3108301



MER3110300



Thru-Tee

Part No.	Description	Wheel Size	Length (In)	Spindle	Image
MER3131421	Stator & Filter Assembly, 1/4" NPT, Threads into Spindle Plug	--	10.50"	--	
MER3131700	Brass Thru-Tee with Tee Vent & Shield	Dual	4"	Straight	
MER3131703	Brass Thru-Tee with Tee Vent & Shield	Dual	3.50"	Tapered	
MER3131704	Brass Thru-Tee with Tee Vent & Shield	Dual	5"	Straight	
MER3131704S	Brass Thru-Tee with Tee Vent & Shield	Super Single	5"	Straight	

Flex Hose

Part No.	Description	Wheel Size	Tire	Length (In)	Aux Check Port	Image
MER3136300	Flex Hose	Larger than 17.5"	Outside	13.5"	No	
MER3136300CP	Flex Hose	Larger than 17.5"	Outside	13.5"	Yes	
MER3137300	Flex Hose	Larger than 17.5" or Super Singles	Inside	17"	No	
MER3137300CP	Flex Hose	Larger than 17.5" or Super Singles	Inside	17"	Yes	

Thermalert

Part No.	Description	Thru-Tee Length	Tire Size
MERH196522	Thermalert Kit, TN/TQ RN/RQ	3.50"	Larger than 17.5"
MERH197522	Thermalert Retrofit Kit for Meritor TP, TB, WP	4"	Larger than 17.5"
MERH220002	Thermalert Replacement Screw for all Press Plugs		



MERH196522



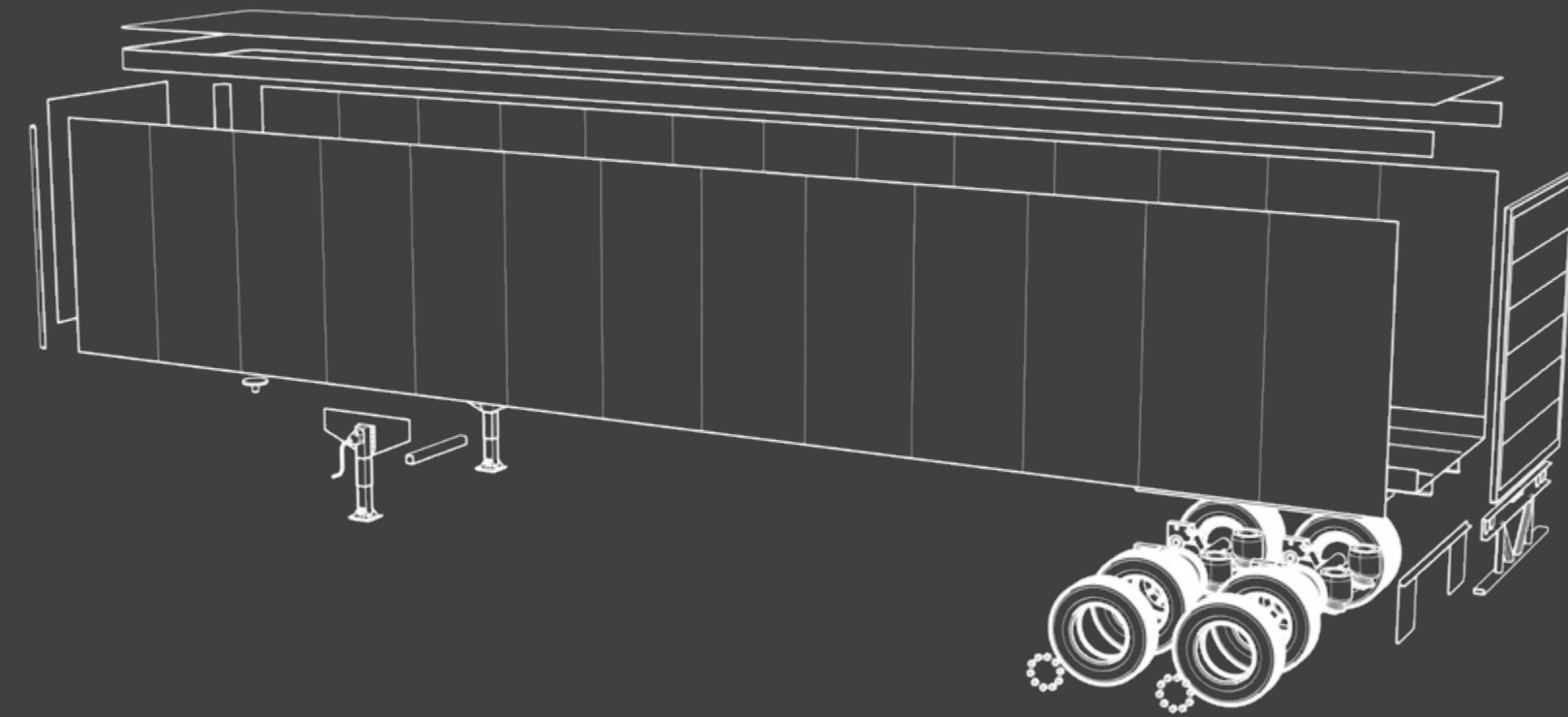
MERH197522



MERH220002



**ROAD EQUIPMENT
PARTS CENTER**



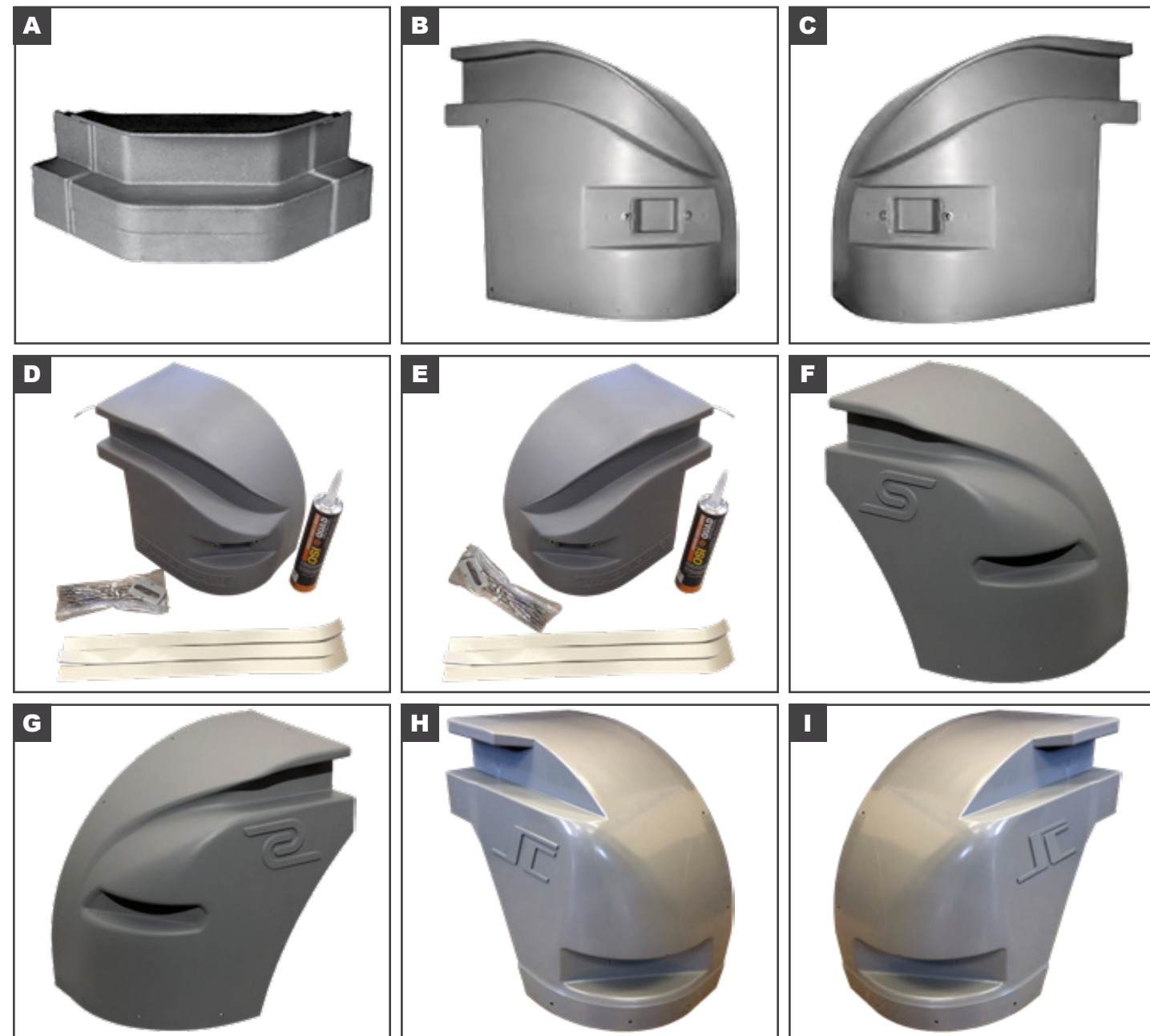
**Universal Body
Parts**



FCB Prefix Guide

Prefix	Definition
FCB001-	Raw Materials Supplied for Subcon Orders
FCB005-	Corner Castings / Caps
FCB010-	Crossmember, C/M Caps
FCB015-	Rear Parts, Doors, Gasket, Hinges, Bumper, Etc.
FCB025-	Radius Panel, Inner Radius, Corner Post, Etc.
FCB028-	Front Corner Protector
FCB030-	(Panels) Flat, Corr, Composite, Stainless, Etc.
FCB035-	(Post) Front, Side, Connector, Slat, Etc.
FCB040-	(Nose Rail) Upper, Lower
FCB045-	Side Bottom Rail
FCB050-	Side Top Rail
FCB055-	(Roof Parts) Roof Bows, Starter, Intermediate, Etc.
FCB940-	Aluminum Flooring
FCB960-	Inner Scuff, Wall Liner, Poly/Steel/Alum./Fiberglass
FCB999-	Non-Stock Items

Corner Caps



Iron Braces

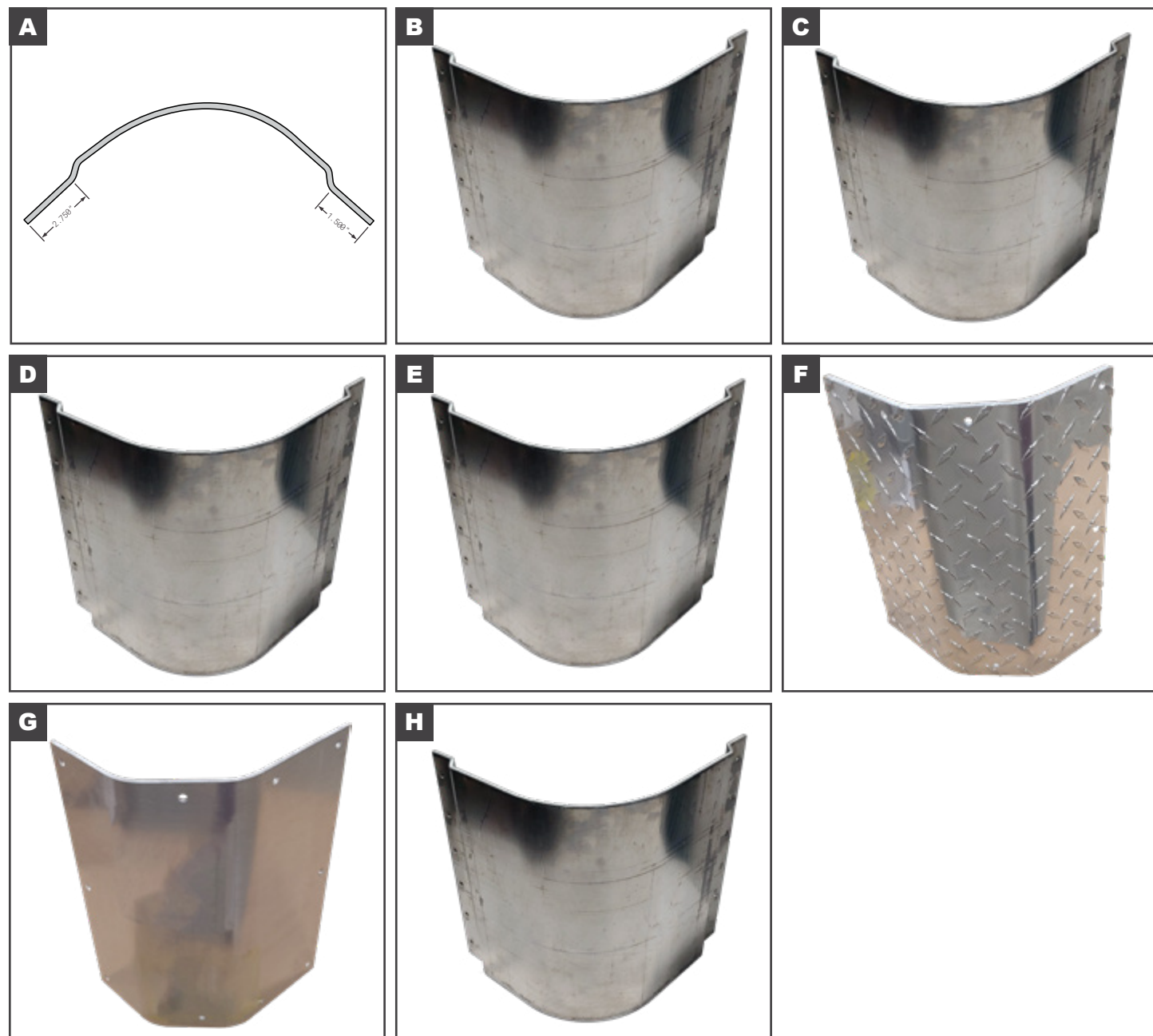


Part No.	Description
1010083	12"x12"x1-1/2" Corner Iron, Weld On Rear Frame

	Part No.	Description	Replaces
A	1310365	Stoughton Universal Models AV/FV/EV	04-09728
B	MOR006720056	Morgan Plastic Curbside (Cap Only)	OEM
C	MOR006720057	Morgan Plastic Roadside (Cap Only)	OEM
D	MOR6266420	Morgan Plastic Curbside (Kit), MOR006720056	OEM
E	MOR6266520	Morgan Plastic Roadside (Kit), MOR006720057	OEM
F	SUP04400049	Wabash Truck Body (Formerly Supreme) S Series Curbside 2018 and Newer	OEM
G	SUP04400050	Wabash Truck Body (Formerly Supreme) S Series Roadside 2018 and Newer	OEM
H	SUP116404	Wabash Truck Body (Formerly Supreme) S Series Curbside to 2018	OEM
I	SUP116405	Wabash Truck Body (Formerly Supreme) S Series Roadside to 2018	OEM

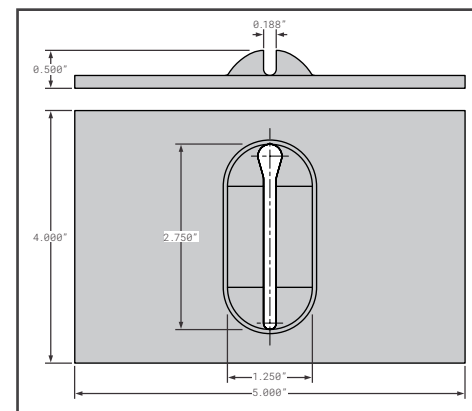


Corner Protectors



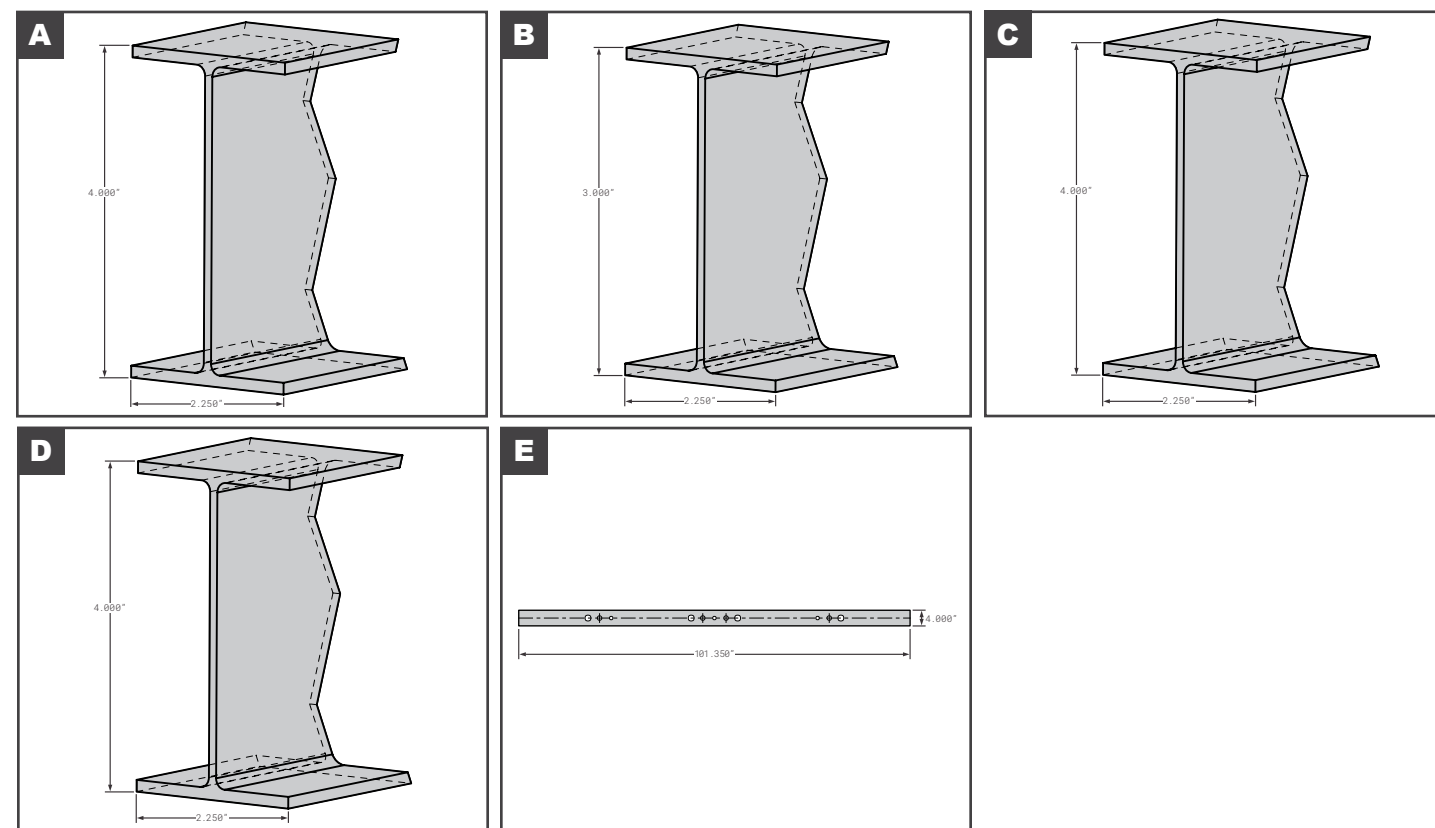
	Part No.	Description	Replaces
A	FCB028-221	Great Dane Style 18" Front Corner Protector	GDP42001870
B	HYU2300-DA034-X01	Hyundai Front Corner Protector 1/8" Diamond Plate 12" Tall	OEM
C	HYU2300-DA023-X07	Hyundai Front Corner Protector 1/8" Smooth Aluminum 12" Tall	OEM
D	HYU2300LAA010X01	Hyundai Front Roadside Corner Protector 1/8" Smooth Aluminum 18" Tall	OEM
E	HYU2300RAA010X01	Hyundai Front Curbside Corner Protector 1/8" Smooth Aluminum 18" Tall	OEM
F	SPS012902800000	Stoughton Front Corner Protector	OEM
G	SPS012947200000	Stoughton Front Corner Protector	OEM
H	STR63901	Strick Corner Protector	OEM

Accessories



Part No.	Description	Replaces
157023	4"x5" with Slots, No Holes - Steel	PEN70-14-SP

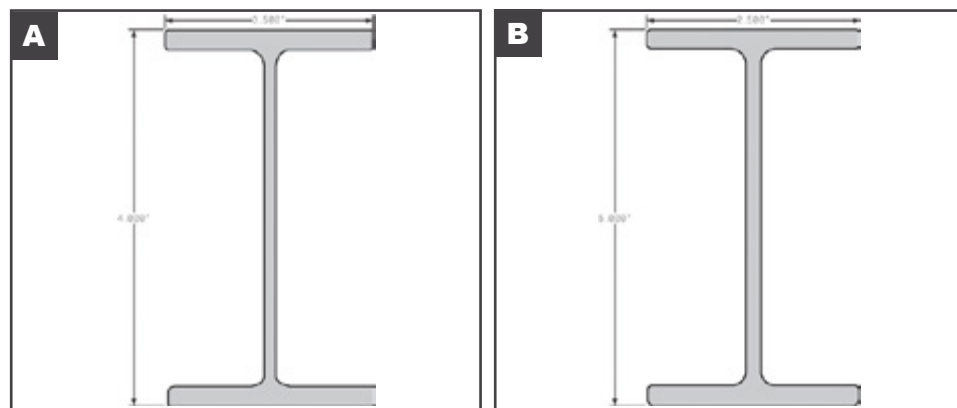
Steel I-Beams



	Part No.	Description	Replaces
A	1157031	4" I-Beam 3.20 LBS/FT 2.25" Flange, Steel, 102"	Universal
B	1157033	3" I-Beam 2.9 LBS/FT 2.25" Flange Steel, 102"	Universal
C	1157034	4" I-Beam 3.45 LBS/FT 2.25" Flange, Steel, 100,000 Tensile Strength, 102"	Universal
D	1157035	4" I-Beam 3.20 LBS/FT 2.25" Flange Black Primer, Steel, 80,000 Tensile Strength, 102"	Universal
E	GD-CM01	4"x101.35" Punched, Oiled, T/M	1157037, 14089

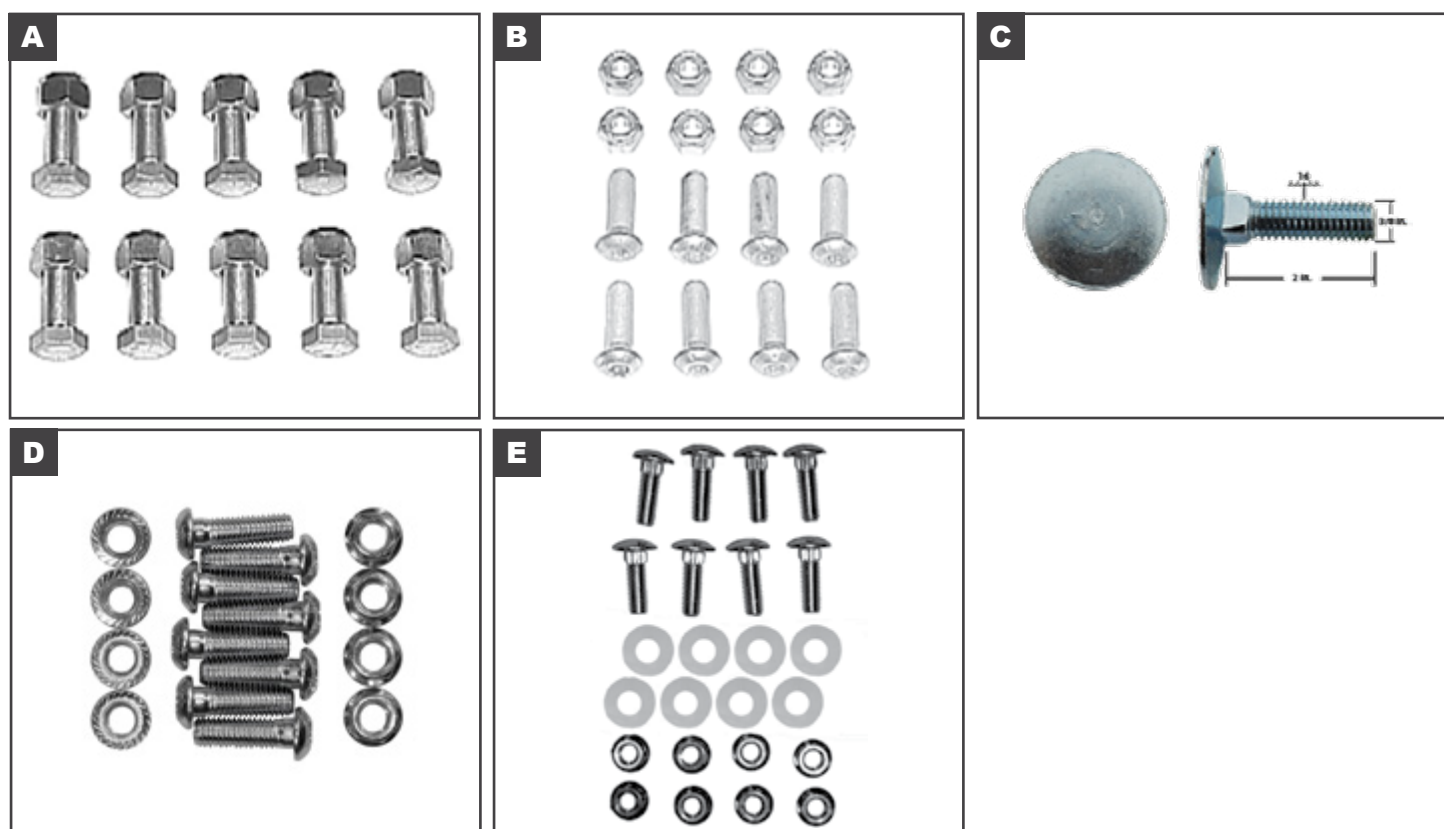


Aluminum I-Beam



	Part No.	Description	Replaces
A	1157030	4" I-Beam 3.5" Flange, Aluminum, Use with Clip FCB010-920, 102"	Universal
B	FCB010-910-002	5" I-Beam 2.5" Top and Bottom Flange, Aluminum, Use with Clip FCB010-920, 102"	5X102AL

Bolts



	Part No.	Description	Replaces
A	1157014	Fleetcraft Landing Gear Bolt Kit, Grade 5, Ten 5/8"-18x1-1/2" Bolts with Ten Nylon Hex Nuts	--
B	1157013	Strick Bottom Side Rail Bolt Kit, Grade 5, 3.8"-24x1-1/4" Torx-Bolts with Nylon Nuts	--
C	16C632	Elevator Bolt Kit, Grade 5, 3/8"-16x2" Bolts with Keps Nuts	--
D	1157011	Crossmember Bolt Kit, Grade 5, 3/8"x1-1/4" Torx Style with Nut and Washer	Universal
E	1157015	Crossmember Bolt Kit, Grade 5, 3/8"x1-1/4" Carriage Style with Nut and Washer	Universal

Deck Clips



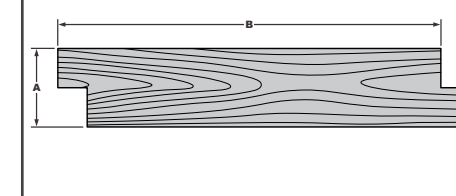
1011585 REPLACES REPLACES #
3" X 1-3/16", 700-16-2 3/8" Hole - Base Steel

Threshold Plates



1063098 REPLACES --
22-5/8" X 96" X 1-3/8" Lip 1/8" - D

Apitong Flooring



Laminate Flooring



Floor Screws



Part No.	Finish	Diameter	Length	Head Style	Pack Size
1025371-100	Phosphate & Oil	5/16	2	TX40	100
1025373-100	Phosphate & Oil	5/16	2 1/2	TX40	100
1025371	Phosphate & Oil	5/16	2	TX40	1200
1025373	Phosphate & Oil	5/16	2 1/2	TX40	1000

Apitong

Part No.	A	B	Length	Description
AP2X8X18	2"	8"	18"	Apitong Rough Sawn
AP1.125X5X16	1.125"	5"	16'	Apitong Shiplap Per Board
AP1.125X7X16	1.125"	7"	16'	Apitong Shiplap Per Board
AP1.312X5X16	1.313"	5"	16'	Apitong Shiplap Per Board
AP1.312X7X16	1.313"	7"	16'	Apitong Shiplap Per Board

Laminate

Part No.	A	B	Length	Description
OAK1.125X312	1.125"	12"	26'	Oak
OAK1.125X624	1.125"	12"	52'	Oak
OAK1.25X13X624	1.25"	13"	52'	Oak
OAK1.25X312	1.125"	12"	26'	Oak
OAK1.25X624	1.25"	12"	52'	Oak
OAK1.375X13X624	1.375"	13"	52'	Oak
OAK1.375X312	1.375"	12"	26'	Oak
OAK1.375X624	1.375"	12"	52'	Oak



Aluminum & Steel Scuffs

Part No.	Description	Thickness	Width	Length
1014342-52	Corrugated Galvanized Steel Scuff	18GA	6.5"	624"
1014343-52	Corrugated Galvanized Steel Scuff	18GA	12"	624"
1014344-52	Corrugated Galvanized Steel Scuff	18GA	18"	624"
FCB960-101-624	Aluminum Extruded Scuff Universal Fit	.125"	12"	624"

Fiberglass Scuff - Wall Liners

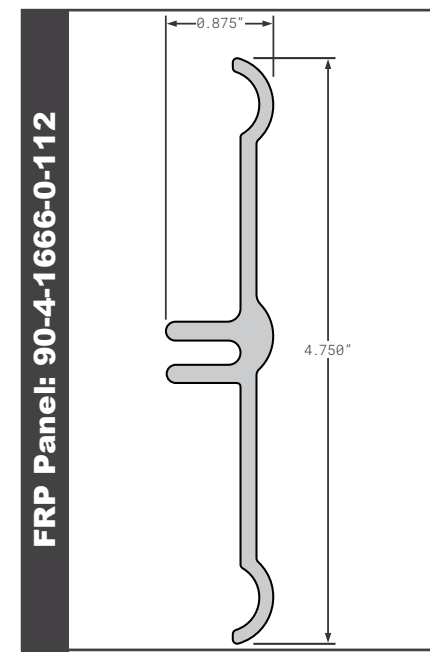
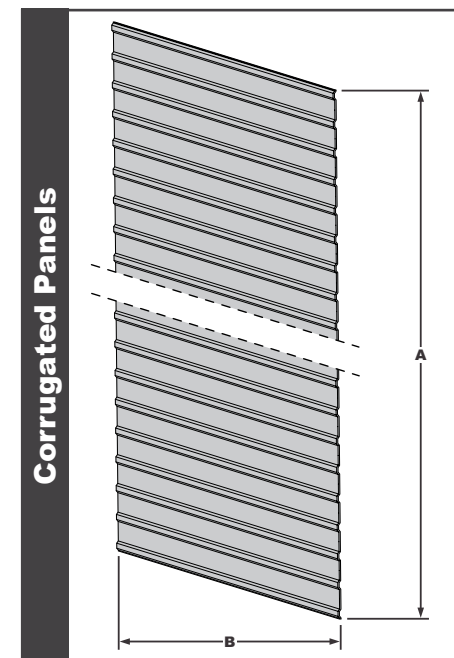
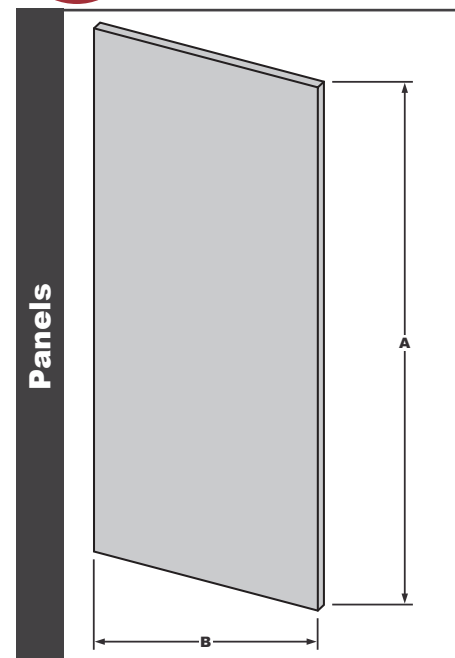
Part No.	Description	Thickness	Width	Length
NL090X4X9	Scuff Liner Fiberglass	.090"	48"	108"
NL090X48X53	Scuff Liner Fiberglass	.090"	48"	636"
NL090X96X53	Wall Liner Fiberglass	.090"	96"	636"
NL090X101X53	Wall Liner Fiberglass	.090"	101"	636"
NL24X24X48	Scuff Liner Monster Scuff Heavy Duty	.240"	24"	48"

Plastic Poly Scuffs

Part No.	Description	Thickness	Width	Length
1014348	Scuff Plastic Black w/ Bevel Top (Order Increments of 2)	.625"	12"	624"
1014349	Scuff Plastic White w/ Bevel Top (Order Increments of 2)	.625"	12"	624"
1014356	Scuff Plastic Black w/ Bevel 1 per roll, 2 per skid	.625"	18"	624"
1014357	Scuff Plastic White w/ Bevel 1 per roll, 2 per skid	.625"	18"	624"
625X24X52BLACK	Scuff Plastic Black 1 per roll, 2 per skid	.625"	24"	624"
625X24X52WHITE	Scuff Plastic White 1 per roll, 2 per skid	.625"	24"	624"

Wood Scuff Liners

Part No.	Description	Thickness	Width	Length
OAK.75X624	Oak Scuff Hardwood	.75"	12"	624"
OAK.75X96	Oak Scuff Hardwood	.75"	12"	96"



.040 & .050 Aluminum

Part No.	A	B	Description	Color	Replaces
FCB030-919-001	96"	49"	PPW One Side, MFA Opposite w/ PVC - .040 Aluminum	White	--
FCB030-919-002	110"	49"	PPW One Side, MFA Opposite w/ PVC - .040 Aluminum	White	--
050X49X110PRBLU	110"	49"	Amazon Blue One Side, MFA Opposite w/ PVC - .050 Aluminum	Blue	HY3110DA027X27, 20114420
FCB030-214	120"	49"	ABF Gray One Side, MFA Opposite w/ PVC - .050 Aluminum	Gray	--

Composite Panels

Part No.	A	B	Description	Color	Replaces
FCB030-220	107"	47"	Great Dane Style w/ Joggles	White	GDP43911057, GDP43911688
FCB030-865	109"	46.88"	Vanguard Style w/ Logistics	White	SWP00316
FCB030-875	115.125"	49"	Universal w/ Logistics	White	PNL1-16, GDP41100288
SUP01110516-06	101.625"	50"	Wabash Truck Body (Formerly Supreme) Shiplap 6MM	Penske Yellow	OEM
SUP0661035	101.625"	50"	Wabash Truck Body (Formerly Supreme) Shiplap 6MM	White	OEM
WAB01105099	112.75"	48"	Wabash Logistic 7.5MM	White	OEM
WAB01109842	115.125"	49"	Wabash Logistic 7.5MM	White	OEM
WAB06100673-04	109.375"	48.13"	Wabash 10MM	Averitt Gray	OEM

Corrugated Panels

Part No.	A	B	Description	Color	Corrg.	Replaces
FCB030-800	105.5"	49"	Utility Style	White	15	03-6001-0-099,03-6001-0-183
FCB030-205	110.25"	49"	Great Dane Style	White	16	11305

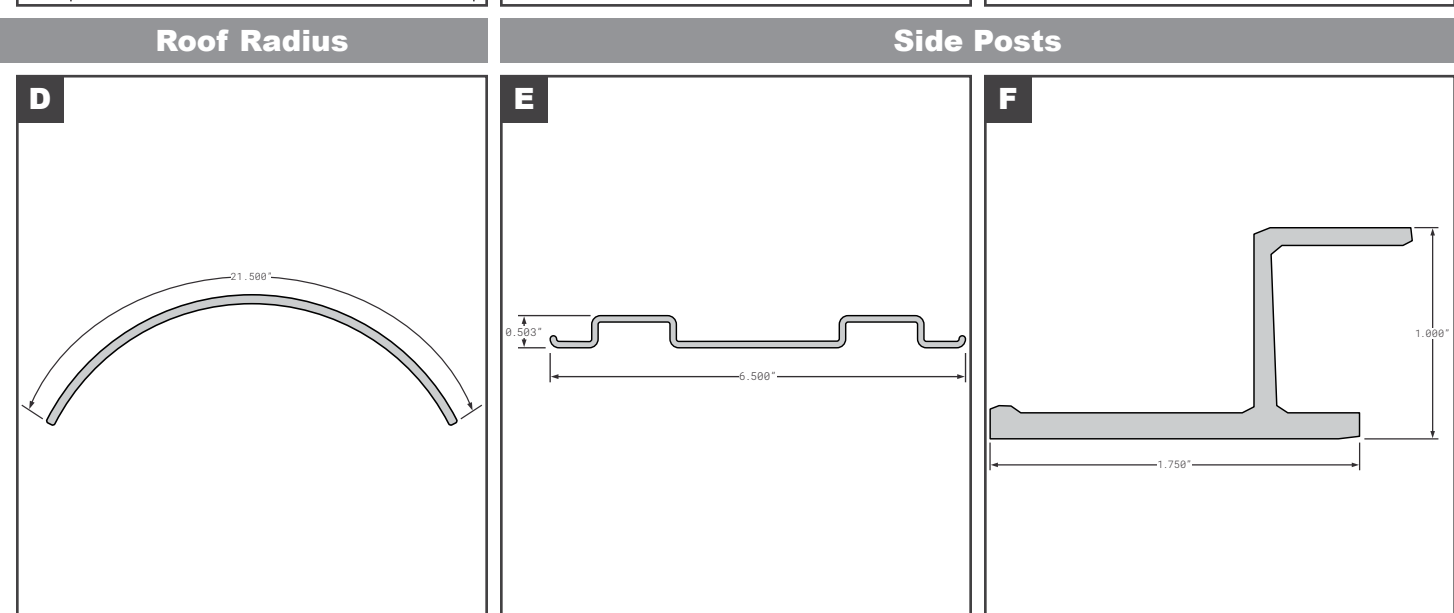
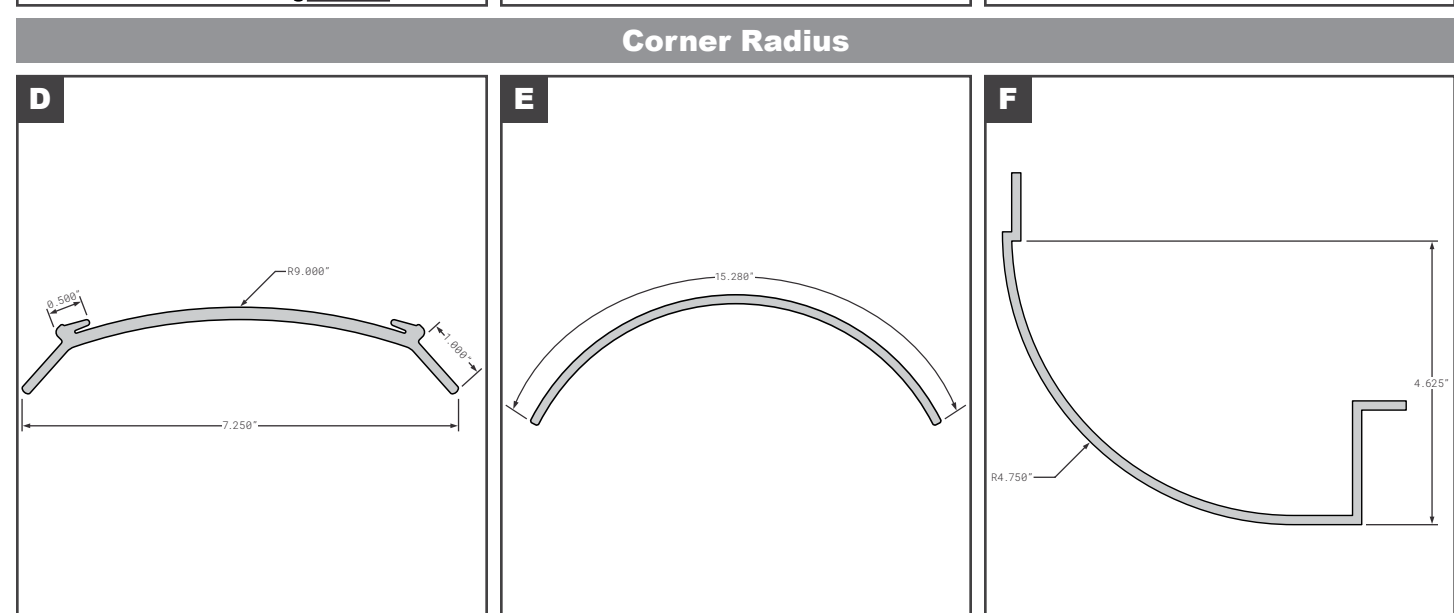
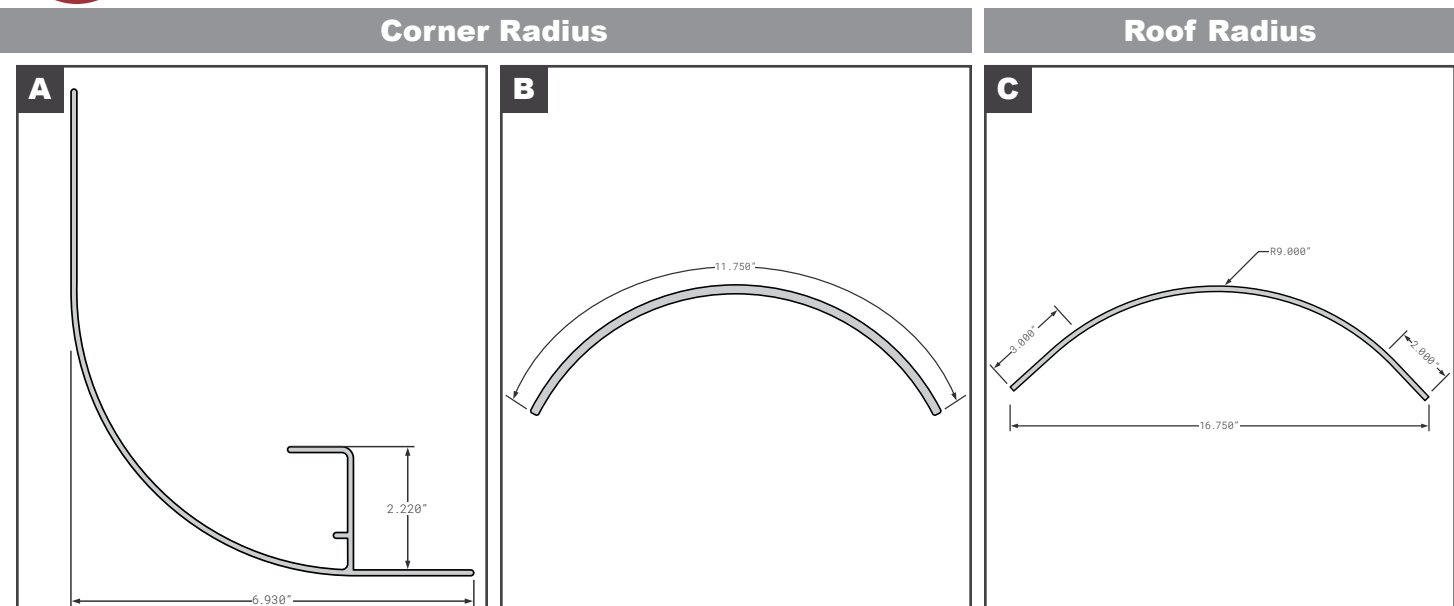
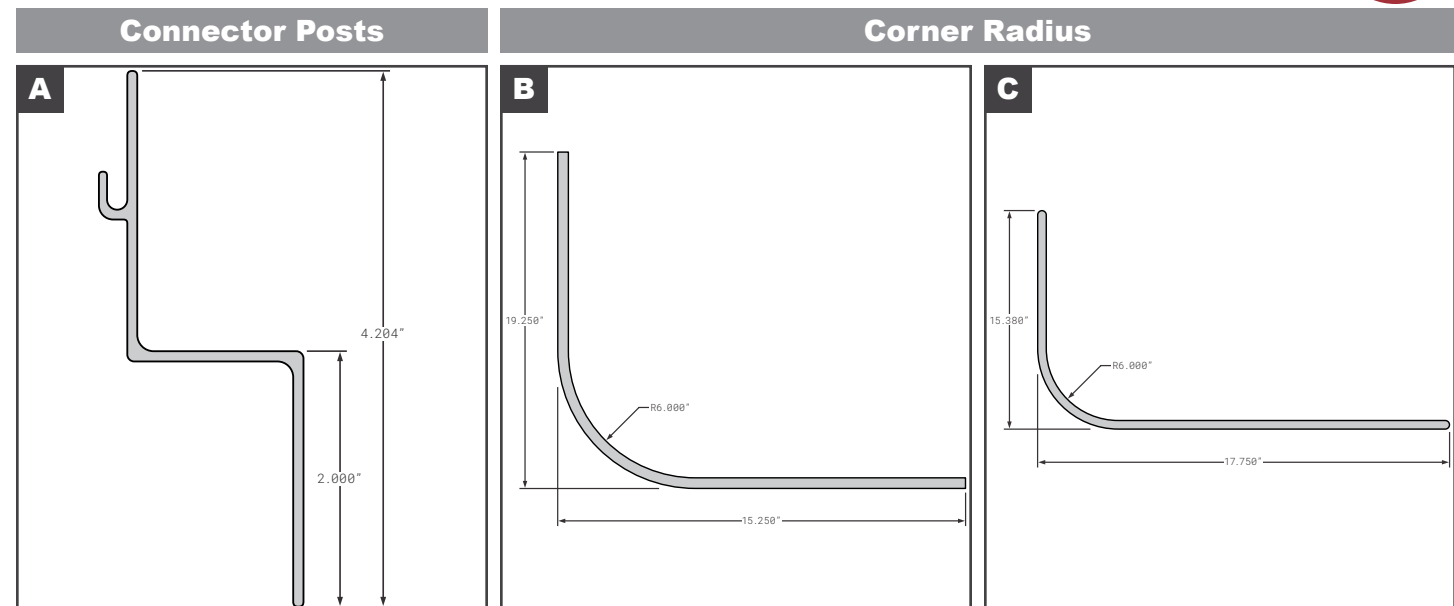
FRP Panels

Part No.	A	B	Description	Color	Replaces
90-4-1666-0-112	4.750"	0.875"	Joint Splice	MFA	035-910



Universal Body Parts | Posts & Radius Panels

Universal Body Parts | Posts & Radius Panels

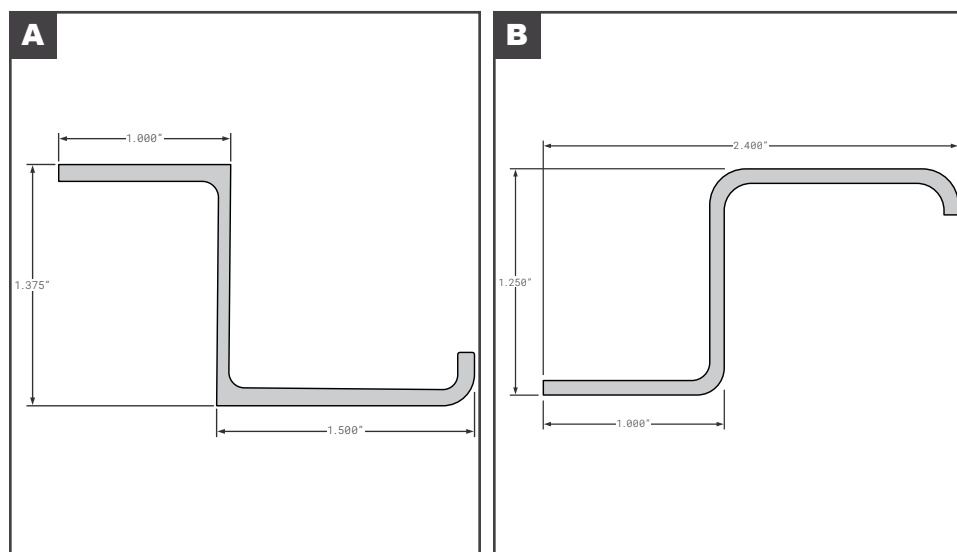


	Part No.	Description	Replaces	Length
A	FCB035-750	Morgan Style GVSD & GVSR Vertical	00165	112.31"
A	MOR00165	Morgan GVSD & GVSR Vertical	OEM	112.31"
B	FCB025-211	Universal 6" Radius Aluminum PPW	GDP69102520001, RP-833K-PPW	110"
C	FCB025-214	Great Dane 6" Radius Aluminum ABF Grey	GDP49900216002	102.25"
D	FCB025-707	Trailmobile Ultra Plate Extruded Mill	RP-130-MFA	117.5"
E	FCB025-754	Morgan Style for 109" Tall - Aluminum Mill Finish	00660	104.31"
F	FCB025-807	Utility New Style 4000D-X, 4000D-X 100 Composite, 4000D-X TBR Dry Freight Extruded Aluminum Mill Finish	01-6500-0-164	120"

	Part No.	Description	Replaces	Length
A	FCB025-880	Wabash Style Duraplate Extruded Aluminum Mill Finish	E8350120, E9261200	120"
B	SUP0027928045	Wabash (Formerly Supreme) Extruded Aluminum Mill Finish	OEM	102"
C	FCB025-753-001	Morgan Style for 102" Wide - Aluminum Mill Finish	13502	86.88"
C	MOR13502	Morgan for 102" Wide - Aluminum Mill Finish	OEM	86.88"
D	SUP04A03269-01	Wabash (Formerly Supreme) Extruded Aluminum Mill Finish	003559914	86.25"
E	FCB035-301	Great Dane Style Side Post Galvanized Steel Universal .5x6.5" 40912301X110 STO 04-20671-006	40912301X110, 04-20671-006	110"
F	FCB035-802	Utility Style 3000R Aluminum	01-6500-0-157	--



Side Posts



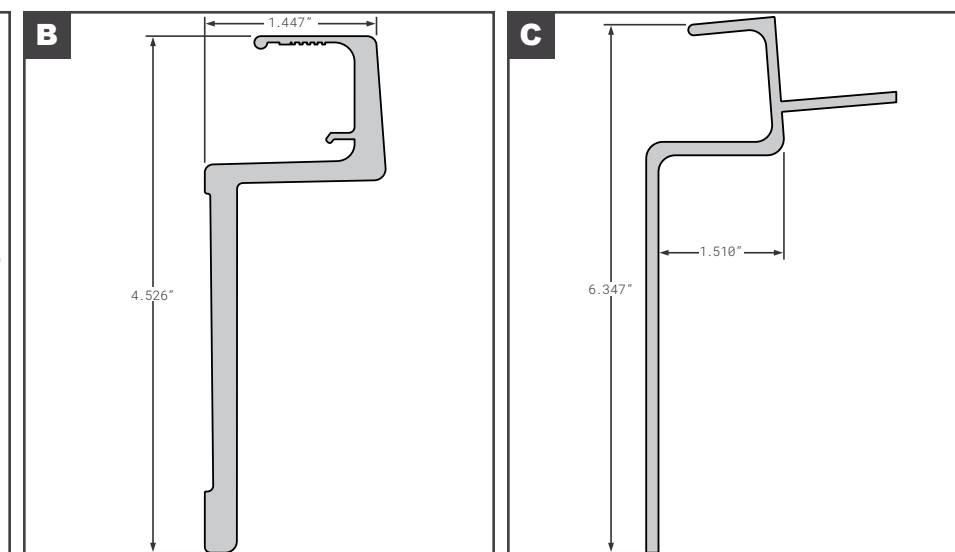
	Part No.	Description	Replaces	Length
A	MORA0000119	Morgan Z 1.38" - Galvanized Steel	OEM	107"
B	SUP01201147-07	Wabash (Formerly Supreme) Z 1.25" Holes 2" on Center	015554765A, 01201147-07	107.5"



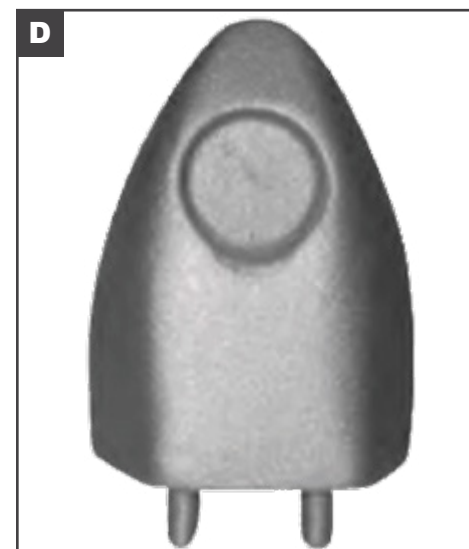
Liftpads



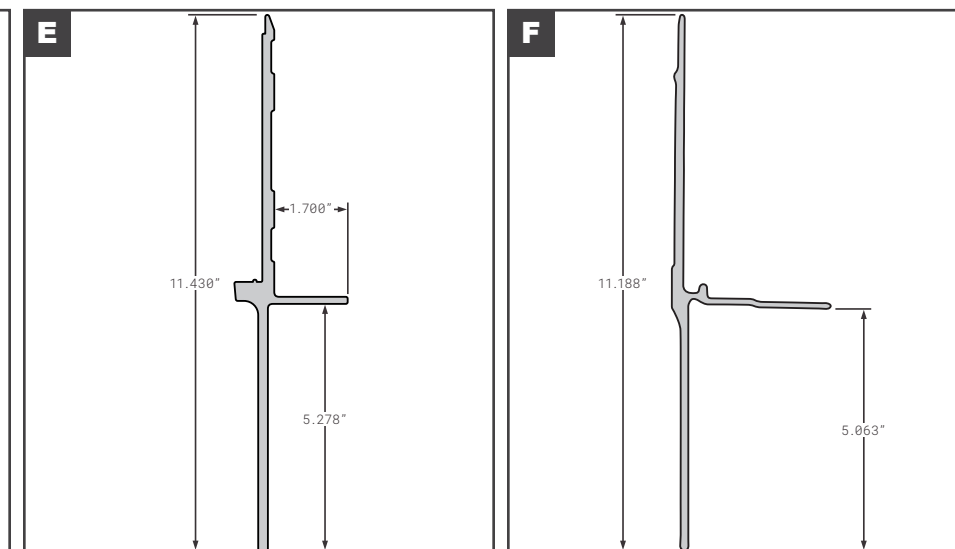
Nose Rails



Rub Rail End Caps



Side Bottom Rails



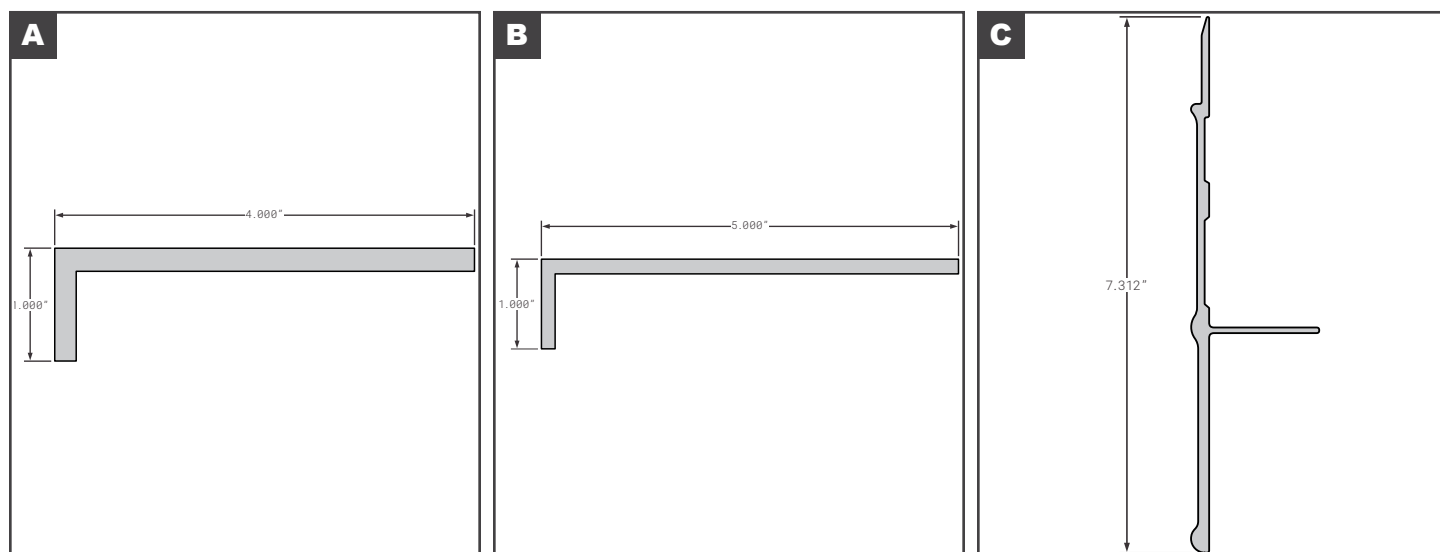
	Part No.	Description	Replaces	Length
A	LIFTPAD-60	5' Lift Pad Galvanized 12GA	--	60"
A	LIFTPAD-120	10' Lift Pad Galvanized 12GA	--	120"
B	FCB040-807	Utility Style VS2DC & VS2DX 1 Piece Wrap Around	03-6650-0-510	102"
C	FCB040-883	Wabash New Style Composite 1 Piece Wrap Around	WAB04A02675	102"
D	FCB005-890	All Makes Universal Round Half Moon Style	--	--
E	FCB045-220-001	Great Dane Style Composite Plate	60318401, 603184VV-53	624"
F	FCB045-222	Great Dane Style	GDP60300003-52	624"



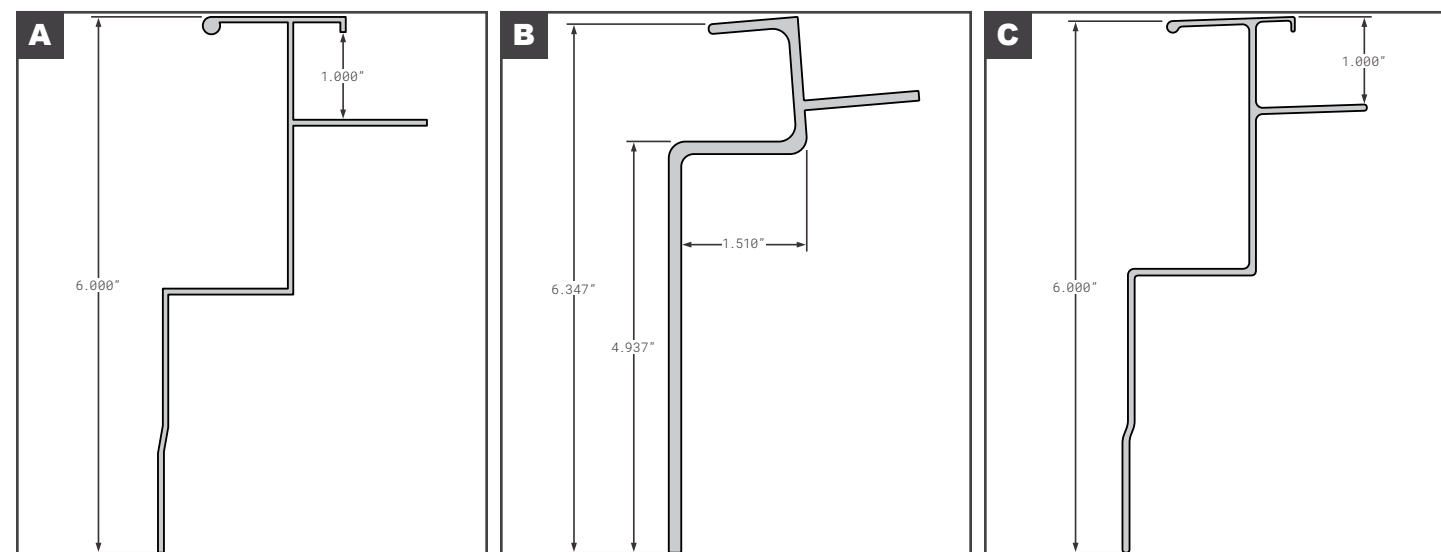
Universal Body Parts | Rails

Universal Body Parts | Rails

Side Bottom Rails



Side Top Rails

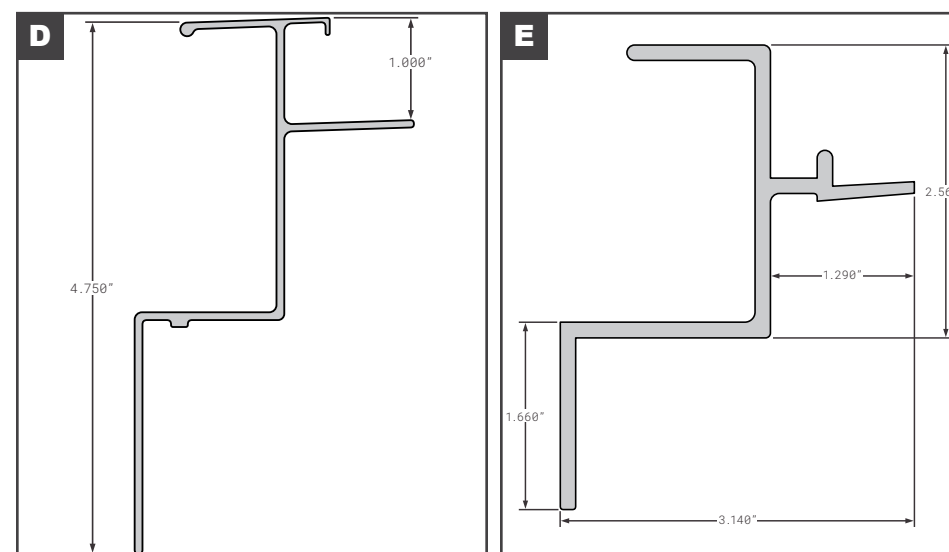
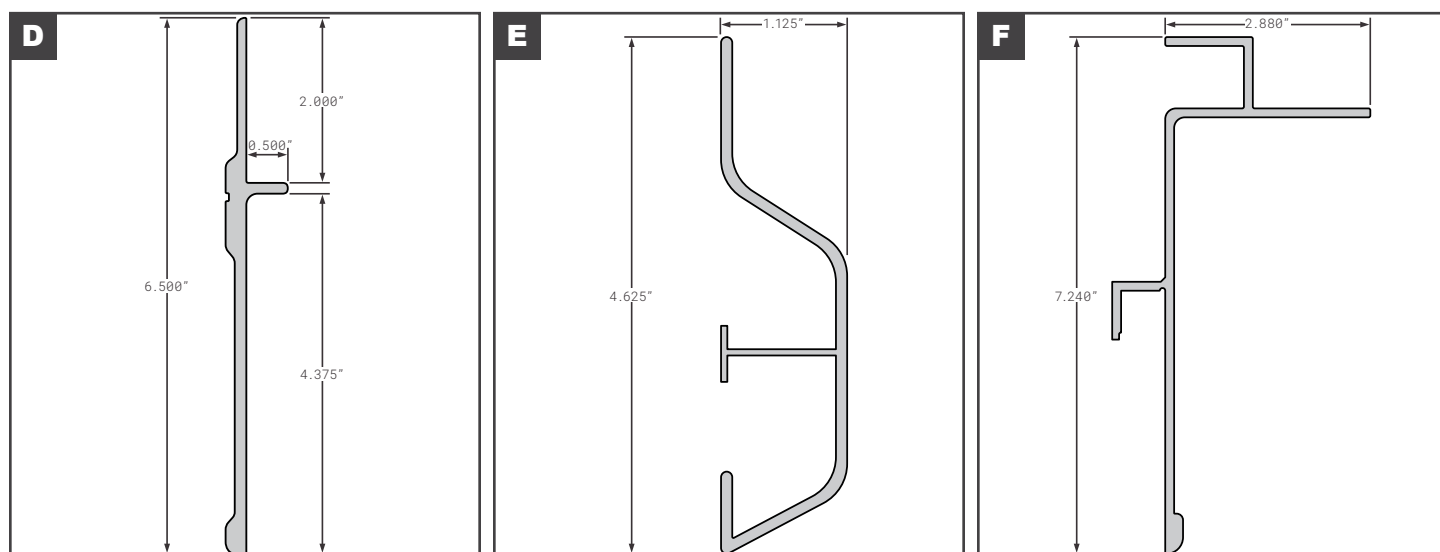


Side Bottom Rails

Side Rub Rails

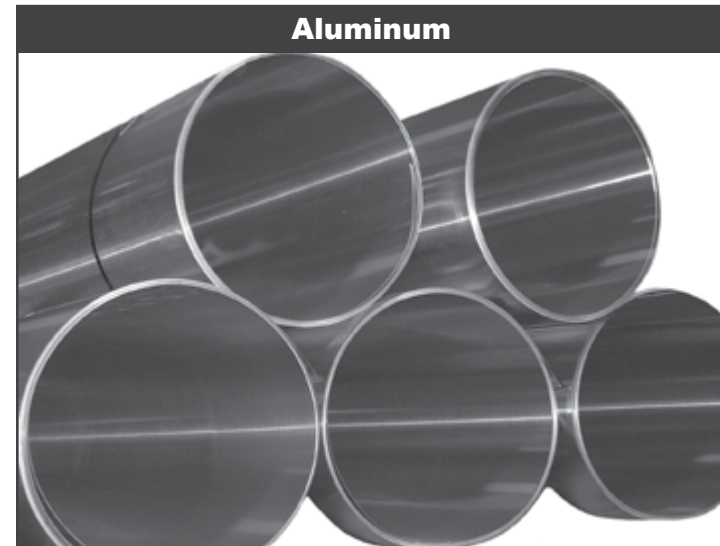
Side Top Rails

Side Top Rails

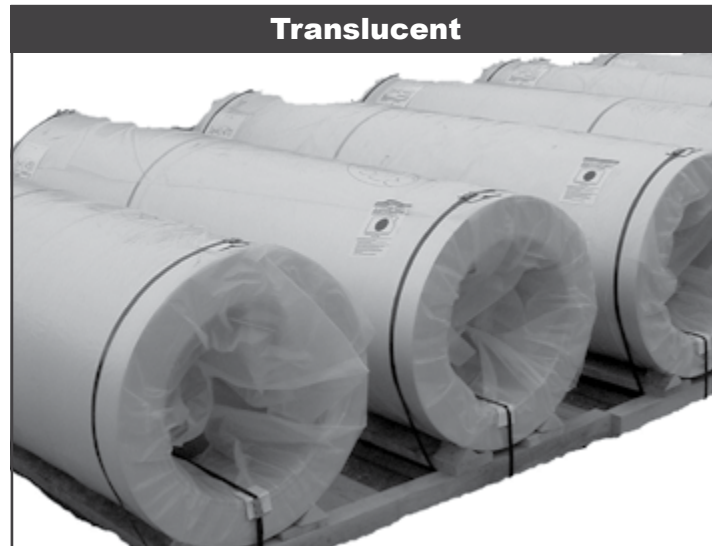


	Part No.	Description	Replaces	Length
A	FCB045-910	Universal Reinforcement Steel Angle 1 x 4"	--	120"
B	FCB045-911	Universal Reinforcement Steel Angle 1 x 5"	--	120"
C	MOR000785	Morgan GVSD & GVSR	OEM	301"
D	SUPED673294	Wabash (Formerly Supreme) S Series	OEM	329.25"
E	FCB045-890	All Makes Universal Rub Rail	WABE076000, WABE0766130, 0218804 613 50, 60314403	624"
F	FCB050-220-001	Great Dane Style Composite Plate	60318848X624.13, 60318848-53	624"

	Part No.	Description	Replaces	Length
A	FCB050-756	Morgan Style N/S GVSD & GVSR	00015904	336"
B	FCB050-883	Wabash Style N/S Composite Plate	WABE9246260	624"
C	MOR00015904	Morgan New Style GVSD & GVSR	OEM	325"
D	MOR00033901	Morgan New Style GVFD & GVMD	OEM	325"
E	SUP002076570012	Wabash (Formerly Supreme) S Series & VF	OEM	317"
E	SUPEC783900	Wabash (Formerly Supreme) S Series & VF	OEM	390"



Aluminum



Translucent

Aluminum Roofing

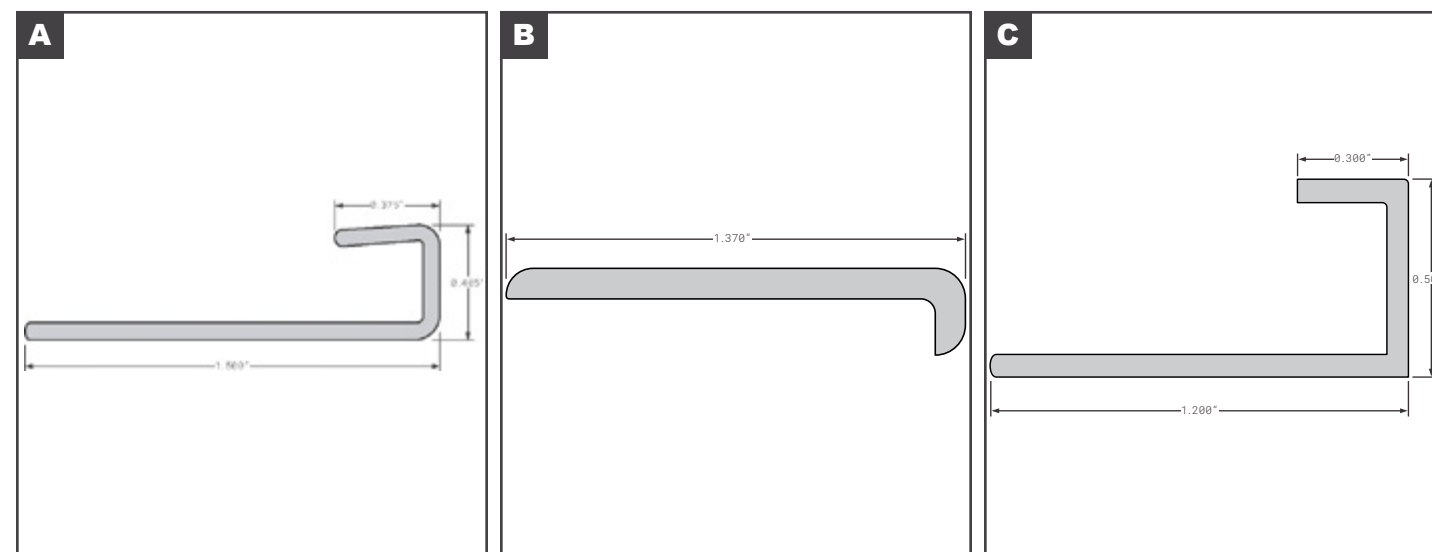
Part No.	Description	Replaces	Length
040X103	Roof Coil .040 24" ID Master Coil-Weight Approx 4000-4500#	Universal	--

Translucent Roofing

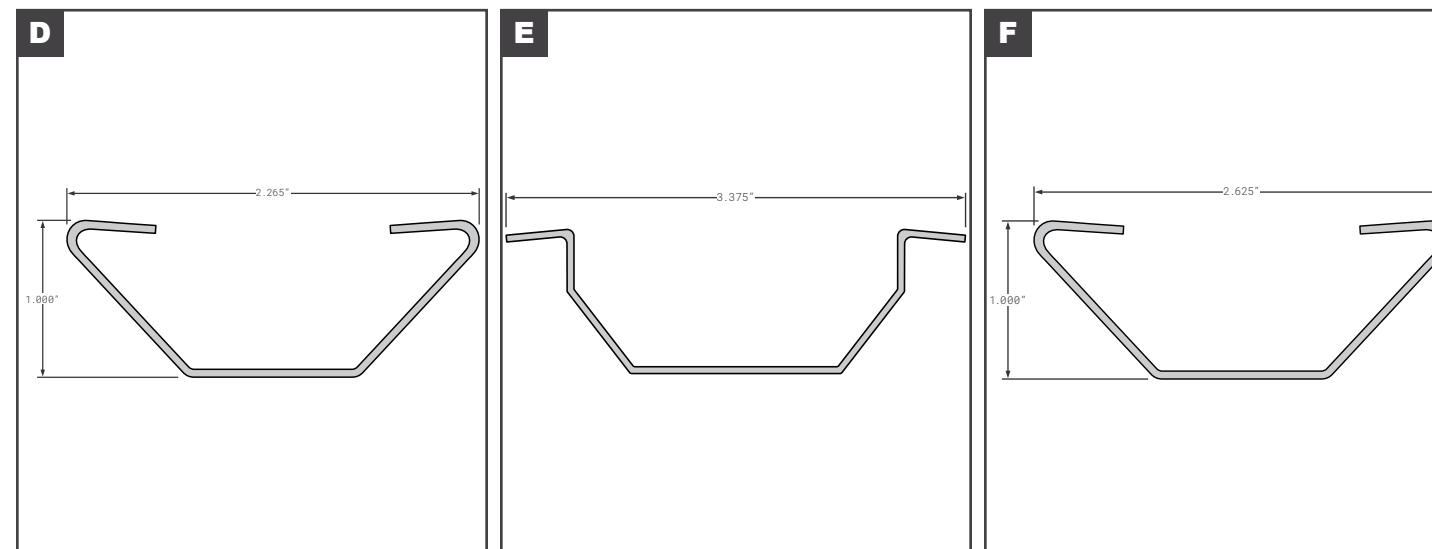
Part No.	Description	Replaces	Length
1164532	Roof Translucent 075X102X54 — ETR	Universal	648"
1165075	Roof Translucent 075X103X55	Universal	660"
1164250-MC18	Roof Translucent 075X103 Master Coil = 250 18" Center Diameter	Universal	250'
1164500-MC	Roof Translucent 075X103X500 Master Coil = 500	Universal	500'
NL075X102.5X54	Roof Translucent 075X102.5X54	Universal	648"
NL075X102MC	Roof Translucent 075X102 Master Coil =500'	Universal	500'
NL075X102X29	Roof Translucent 075X102X29	Universal	348"
NL075X102X54	Roof Translucent 075X102X54	Universal	648"
NL075X102X500GS	Roof Translucent Master Coil — XLR	Universal	500'
NL060X102X250	Roof Translucent TRW Master Coil — 060X102	Universal	250'



J Moldings



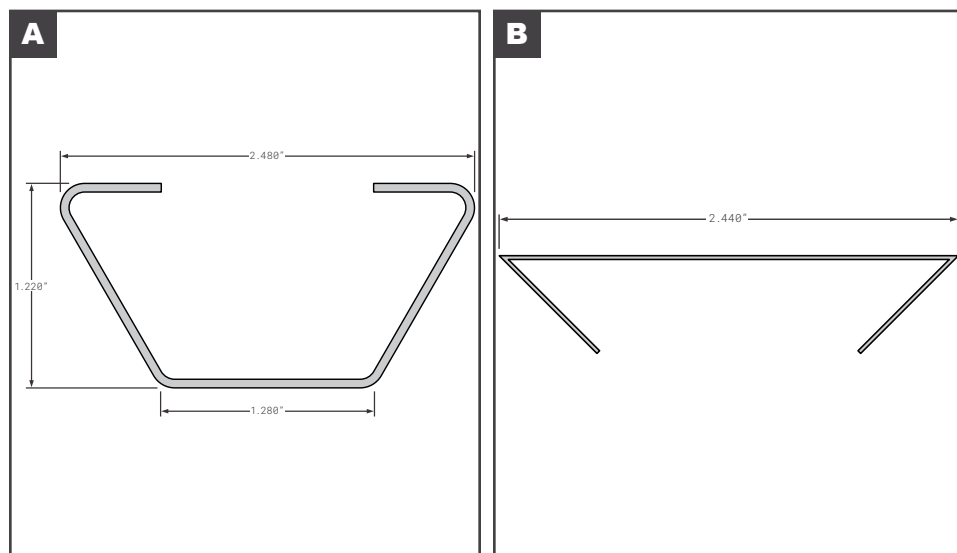
Roof Bows



	Part No.	Description	Replaces	Length
A	X6148X120	J Modeling 1/4 x 120. Aluminum	91940	120"
B	SUPEC790960	Non-Punched Roof Clamp	--	96"
C	X6138X120	1/2" Side Nose Rail Reinforcement	Universal	120"
D	1011039	Galvanized Steel Anti-Snag	Universal	99"
E	FCB055-805	Utility Style Galvanized Steel Anti-Snag	3-1600-053	99.5"
F	MOR0190340	Morgan Galvanized Steel Single Hole	OEM	98"



Roof Bows



	Part No.	Description	Replaces	Length
A	SUP07200142-03	Wabash Truck Body (Formerly Supreme) 015084002A	OEM	90.88"
A	SUP07200142-04	Wabash Truck Body (Formerly Supreme) 015084003A	OEM	96.88"
B	SUP07200143-04	Wabash Truck Body (Formerly Supreme) Steel Roof Bow Insert	15557731	93.88"

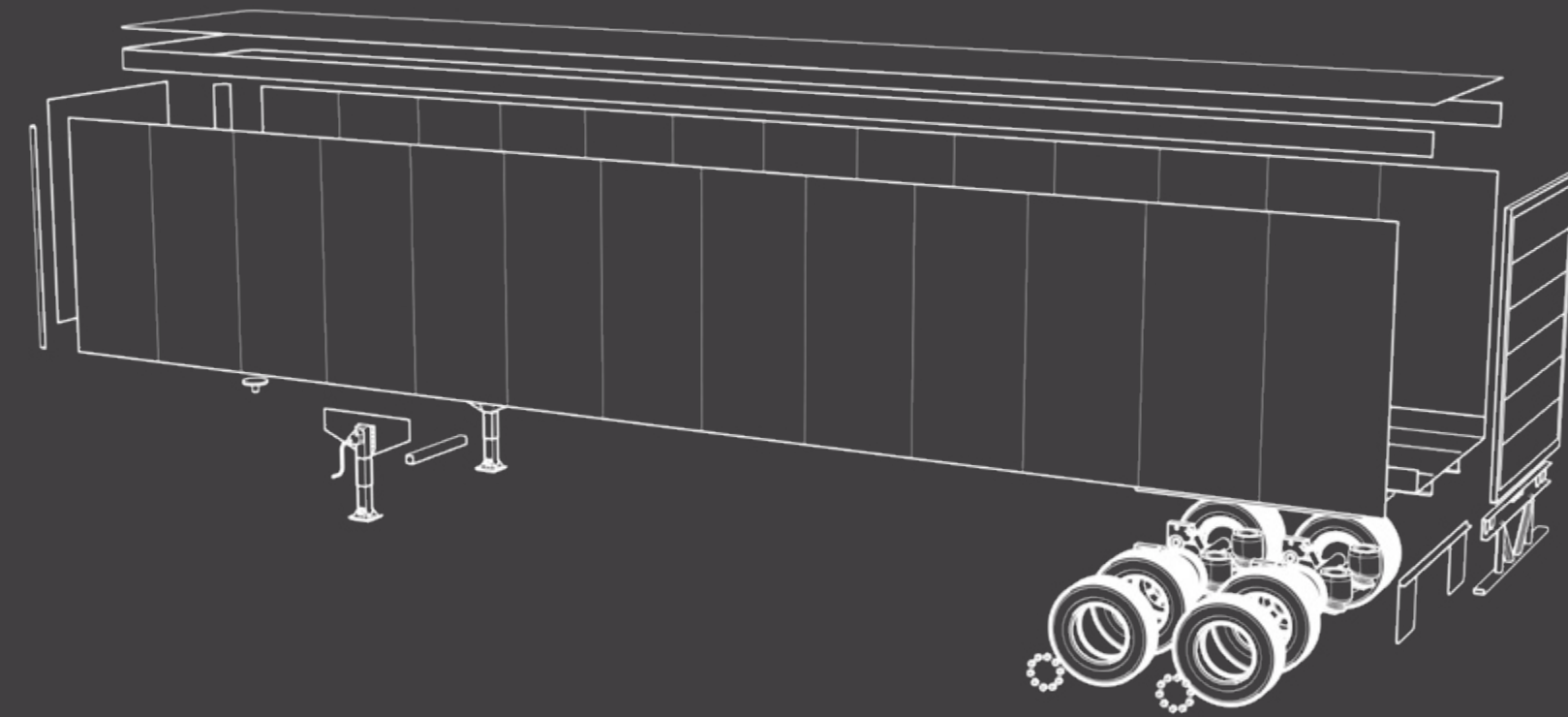
Roof Sealant



	Part No.	Description	Brand	Color	Size	Quantity
A	1164530	Fiberglass Roof Repair Kit	SunPatch	Translucent	12" X 12"	1
B	V1212W	Aluminum Patch	Vanfastic	White	12" X 12"	10/Box
B	V1224W	Aluminum Patch	Vanfastic	White	12" X 24"	5/Box
C	30500	Leak-No-More Roof Sealer	Manus-Bond	--	1 gal	4/Case
D	1013477	Roof Sealer Seal Gap	Manus-Bond	--	1 gal	4/Case
E	1013479	Aluminum Roof Seal Trowel Grade 65H	Manus-Bond	Aluminum	1 gal	4/Case



ROAD EQUIPMENT PARTS CENTER



Wheel End



Bearings



Timken	National	Stemco	SKF /HY-ATT	Type	Bore Diameter	OD	Cone	Cup
SET4T	A4	--	BR4	--	--	11.9375"	--	--
SET415T	HD208	ASET445-410	SET415	Taper Set	3.5"	11.6875"	HM518445	HM518410
SET414T	HD201	ASET248-210	SET414	Taper Set	3.542"	15.938"	HM218248	HM218210
SET413T	HD200	ASET049-011	SET413	Taper Set	2.625"	18.3594"	HM212049	HM212011
SET406T	HD205	--	SET406	Taper Set	1.75"	14.5"	3782	3720
SET403T	HD203	ASET594A-92A	SET403	Taper Set	3.75"	15"	594A	592A
SET401T	HD206	ASET580-72	SET401	Taper Set	3.25"	15.625"	580	572
SET17T	A17	--	BR17	--	--	15.625"	--	--
HM518445T	HM518445	--	HM518445	Taper Cone	3.5"	11.625"	--	--
HM518410T	HM518410	--	HM518410	Taper Cup	--	11.99"	--	--
HM218248T	HM218248	--	HM218248	Taper Cone	3.542"	13.1875"	--	--
HM218210T	HM218210	--	HM218210	Taper Cup	--	13.19"	--	--
HM212049T	HM212049	--	HM212049	Taper Cone	2.625"	14.625"	--	--
HM212011T	HM212011	--	HM212011	Taper Cup	--	12.6875"	--	--
594AT	594A	--	594A	Taper Cone	3.75"	14.2969"	--	--
592AT	592A	--	--	Taper Cup	--	15.31"	--	--
580T	580	--	--	Taper Cone	3.25"	10.3438"	--	--
572T	572	--	--	Taper Cup	--	11.0625"	--	--
3984T	3984	--	--	Taper Cone	2.625"	15.43"	--	--
3920T	3920	--	--	Taper Cup	--	13.5938"	--	--
387AT	387A	--	387A	Taper Cone	2.25"	12.1875"	--	--
382AT	382A	--	382A	Taper Cup	--	12.1875"	--	--
28682T	28682	--	BR28682	Taper Cone	2.25"	12.1875"	--	--
28622T	28622	--	28682	Taper Cup	--	12.1875"	--	--
25580T	25580	--	212392	Taper Cone	1.75"	12.1875"	--	--
25520T	25520	--	212393	Taper Cup	--	12.1875"	--	--
15123T	15123	--	580	Taper Cone	1.25"	15.625"	--	--
14276T	14276	--	572	Taper Cup	--	15.625"	--	--
14125AT	14125A	--	594A	Taper Cone	1.25"	15.625"	--	--
02475T	02475	--	592A	Taper Cone	1.25"	15.625"	--	--



Better

VOYAGER®
Regional route trucks, city delivery and coach applications. The Voyager wheel seal features a rugged design, simple installation and proven performance make Voyager the right choice for fleets seeking a superior seal for everyday stop-and-go traffic environments.

GRIT GUARD®
For severe service; dirty, unfriendly environments; cold-climates. Engineered for exceptional performance, durability and contaminant exclusion in severe service applications, the STEMCO Grit Guard hub seal features a two-piece design that reduces maintenance and unnecessary wear on expensive spindles.

Good

SCOTSEAL CLASSIC
When reliability in extreme operating conditions and wide temperature ranges are crucial drivers, Scotseals provide excellent service life and dirt exclusion. Designed to retain oil or grease, they are available in a number of sizes for the most common steer, drive or trailer axles.

Better

SCOTSEAL X-TREME
Boost your truck uptime and increase service intervals with the Scotseal X-Treme. It is available in various dimensions for truck, bus and trailer wheel ends for driven and non-driven axles.

Best

DISCOVER®
The premium seal with STEMCO's latest technology, required to obtain STEMCO's PPS warranty package. Made with a high-quality temperature-resistant material and featuring multi-labyrinth sealing for long-life applications, these high-performance seals have been equipped with the patented GlideLock technology to deliver the most advanced wheel seal available.

GUARDIAN® HP
The standard seal for trailer and axle original equipment manufacturers. The Guardian HP incorporates the best features for preventing the leading causes of seal-life degradation - contamination ingress and heat generation.

Best

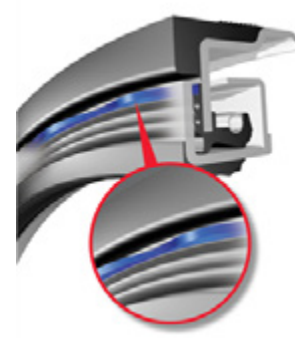
SCOTSEAL PLUS XL
Equip your semi to be Ready for the Road Ahead™, with the SKF Scotseal Plus XL Wheel Seal for 12,000 lb Steer Applications, a crucial component for enhanced axle protection and lubricant leakage prevention. Due to its ability to tightly fit inside the hub assembly, this replacement wheel seal effectively prevents contaminants from entering the wheel, while locking in lubricant.

RED 37 SERIES
Single spring-loaded sealing lip effectively pumps lubricant back into hub. Unitized construction provides structural integrity and main lip protection. Unique SURE-LOCK I.D. rib technology firmly grips shaft and provides superior contaminant exclusion. Metal O.D. maintains position on hub bore. Three floating points of contact lock out dirt and moisture.

GOLD 38 SERIES
Patented PTFE Lay-Down Bi-Directional Sealing Lip maintains constant sealing during wheel movement. Four floating points of contact and bumper pad that inhibits contaminant entry into the hub. SURE-LOCK I.D. rib technology firmly grips shaft and provides superior contaminant exclusion. Metal O.D. maintains position on hub bore. A unitized shield prevents damage to PTFE oil sealing lip and provides structural integrity.

RED 375 DYNAMIC EDGE®
DYNAMIC EDGE® pumping feature deflects contamination away from the face of the seal. Four floating points of contact lock out dirt and moisture. Single spring-loaded sealing lip effectively pumps lubricant back into hub. Unique SURE-LOCK I.D. rib technology firmly grips shaft and provides superior contaminant exclusion. Unitized construction provides structural integrity and main lip protection. Metal O.D. maintains position on hub bore.

Trailer Axle Seals



	Stemco	National	SKF / General Bearing	Meritor Standard	ConMet	Axle Type
Bearing Combination: Inner: HM518410/HM518445 Outer: HM518410/HM518445						
Good	373-0423	370065A	CHR42623	--	--	Trailer
Better	373-0123	380065A	CHR42627XT	MER0123	CON10045889	
Best	307-0723	375065A	CHR42627	--	--	
Bearing Combination: Inner: HM218210/HM218248 Outer: HM212011/HM212049						
Good	373-0443	370025A	CHR46305	--	--	Trailer
Better	373-0143	380025A	CHR46300XT	MER0143	CON1004588	
Best	307-0743	375025A	CHR46300	--	--	
	372-7097	--	--	--	--	

Wheel End | Bearings

Wheel End | Seals



Drive Axle Seals

	Stemco	National	SKF / General Bearing	Meritor Standard	ConMet	Axle Type
Bearing Combination: Inner: 592A/598A/598/594A/594 Outer: 572/580/575/580						
Good	393-0273	370003A	CHR47697	--	--	Drive
Better	393-0173	380003A	CHR47691XT	MER0173	CON10045887	
Best	309-0973	375003A	CHR47693	--	--	
	392-9131	--	--	--	--	

Steer Axle Seals

	Stemco	National	SKF / General Bearing	Meritor Standard	ConMet	Axle Type
Bearing Combination: Inner: 39520/39581/HM212011/HM212044/553X/557A/HM212049/HM212049X, X1/HM212047 Outer: 3525/3585/ 3720/3782						
Good	383-0236	370001A	CHR35066	--	--	Steer
Better	383-0136	380001A	CHR35058XT	MER0136	CON10045885	
Best	308-0836	375001A	CHR35103	--	--	



Good

Pro-Torq®
Increase tire life and reduce seal failure with the Pro-Torq® axle fastener. With bearing adjustment increments down to 0.001" and exacting cup and cone alignment on the spindle, nothing compares to the precision of Pro-Torq. By producing reliable low end play bearing adjustments and axial motion control, Pro-Torq helps ensure accurate wheel-speed monitoring on anti-lock braking systems.

Better

Zip-Torq®
With its robust single piece design, Zip-Torq takes the guess work out of bearing adjustment. Zip-Torq is a unitized axle fastener that uses a patented self-locking ratchet system to secure the wheel end and prevent back off. Zip-Torq consistently delivers accurate endplay between .001"-.005" using the STEMCO 2-1-1 method. Single piece design allows installation without special tooling. No clips, keepers, snap rings or screws to install.

Best

Auto-Torq®
The Auto-Torq axle fastener is designed to streamline wheel end installation by eliminating the need for complex processes and specialty tools—no washers, clips, snap rings, screws, or keepers needed. An all-in-one solution that's compatible with any industry hub manufacturer, Auto-Torq securely applies the optimum clamp load on the bearings every time to minimize wear and maximize service life.



3-Piece Nut

Increase tire life and reduce seal failure with the Pro-Torq® axle fastener. With bearing adjustment increments down to 0.001" and exacting cup and cone alignment on the spindle, nothing compares to the precision of Pro-Torq. By producing reliable low end play bearing adjustments and axial motion control, Pro-Torq helps ensure accurate wheel-speed monitoring on anti-lock braking systems.

Precision 240^{®3} & 320^{®2}

The PRECISION NUT system features five times the adjustment resolution of competitive spindle nut systems to allow for more precise bearing adjustments thus elevating bearing and seal performance beyond traditional levels. Additionally, the system's unique two-piece design can help save installation time compared to competitive three-piece nut systems.

Stemco Axle Nuts

Pro-Torq®



Zip-Torq®



Auto-Torq®



Installation Instructions



Pro-Torq®	Zip-Torq®	Auto-Torq®	Axle Type	Description	Thread	Outer Bearing Cone/Cup
447-4723	400-4723	480-4723-XR	Trailer	"P" Parallel Trailer 22,500	3.480"-12	HM518445/ HM518410 SET415
447-4743	400-4743	480-4743-XR	Trailer	"N" Tapered Trailer 17,000#-22,500#	2-5/8"-16	HM212049/ HM212011 SET413
449-4973	400-4973	--	Trailer	34,000-46,000# Eaton, Meritor, Dana, Navistar, 50,000# Mack	3 1/4"-12	HM518445/ HM518410
448-4836	400-4836	--	Steer	"FF" Steer 12,000#	1-1/2"-12	3782/3720 SET406
448-4837	400-4837	--	Steer	"FF" Steer 12,000#	1-1/2"-18	3782/3720 SET406
448-4864	400-4864	--	Steer	Mack Steer 18,000#, 20,000#	2"-12	555S/552A
448-4865	400-4865	--	Steer	"FL" Steer	1-3/4"-12	555S/552A 3720/3979
449-4904	400-4904	--	Drive	Mack Drive 34,000#, 38,000#, 44,000#	2-7/8"-12	47679/47620 575/572 567/563
449-4973	400-4973	--	Drive	"R" Drive 34,000#-46,000#, 50,000#	3-1/4"-12	580/572 SET401

Hendrickson Axle Nuts

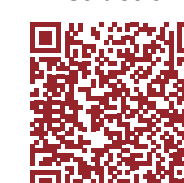
3-Piece Nut



Precision 240^{®3} 320^{®2}



Installation Instructions



Part Number	Description	Spindle	Includes
HNDS-32844-2	Precision 320 ^{®2}	HP/HX	(1) Spindle Nut, Washer, and (2) Screws
HNDS-33332-2	Precision 240 ^{®3}	HN	(1) Spindle Nut, Washer, and (2) Screws
HNDS-20492-2	Hendrickson 3-Piece Nut	HN	(1) Each, Inner Axle Nut, Outer Axle Nut, Axle Lock Washer and Set Screw
HNDS-20475-2	Hendrickson 3-Piece Nut	HP	(1) Each, Inner Axle Nut, Outer Axle Nut, Axle Lock Washer and Set Screw



Hubdometers



Hubodometer Selector



Stemco	Timken	Type	Rev/Mile	Tire Size	Image
650-0587	---	Analog	480	10-22	
650-0598	46500M	Analog	500	15R22.5	
650-0601	---	Analog	504	285/75R24.5	
650-0605	---	Analog	513	11R22.5	
650-0608	46520M	Analog	520	295/75R22.5	
650-0610	---	Analog	522	295/75R22.5	
650-0613	---	24.98"	532	295/75R22.5	
650-0626	---	26"	570	295/75R22.5	
600-9999	---	Digital	Programmable		
801-6000	DataTrac Programmer				
610-0006	---	Bracket	2 Leg, 5/8" Stud		
610-0028	---	Bracket	4 Leg Bracket, 5.5" Bolt Circle		
610-0065	---	Bracket	2 Leg Bracket		
610-0084	---	Bracket	4 Leg Bracket, Stemco Airbat		

Hubs

Part No.	Axle	Material	Wheel Material	Bolt Circle	Studs	Brake Size	Brake Type	Image
8013811	TP Trailer	Iron	Aluminum	11-1/4"	10, Long	16.5"x7"	Drum	
8013809	TN Trailer	Iron	Aluminum	11-1/4"	10, Long	16.5"x7"	Drum	
CON10082251	TN Trailer, Tapered	Iron	Steel	11-1/4"	10, Short	16.5"x7"	Drum	
CON10082252	TN Trailer, Tapered	Iron	Aluminum	11-1/4"	10, Long	16.5"x7"	Drum	
CON10082255	TP Trailer, Parallel	Iron	Steel	11-1/4"	10, Short	16.5"x7"	Drum	
CON10082256	TP Trailer, Parallel	Iron	Aluminum	11-1/4"	10, Long	16.5"x7"	Drum	
10-20161-102	TP Trailer	Iron	Steel	11-1/4"	10, Short	16.5"x7"	Drum	
WBB20231--3T	TP Trailer	Cast	Steel	11-1/4"	10, Short	16.5"x7"	Drum	
WBB20231--5T	TP Trailer	Cast	Aluminum	11-1/4"	10, Short	16.5"x7"	Drum	
WBB23431--3T	TP Trailer	Cast	Steel	11-1/4"	10, Short	16.5"x7"	Drum	
WBB20271--3T80	TP	Cast	Steel	10.827"	8, Short	12.25"x7"	Drum	



Pre-Set Hubs

Hub Caps



Wheel End Component Selector 

Part No.	Axle	Material	Inboard Bearing	Outboard Bearing	Studs	Brake Type	Image
CON10082217	Drive, R	Aluminum	SET429	SET430	Long	Drum	
CON10082219	Drive, R	Iron	SET429	SET430	Long	Drum	
CON10082227	TN Trailer, Tapered	Aluminum	SET414	SET43	Long	Drum	
CON10082226	TN Trailer, Tapered	Steel	SET414	SET413	Short	Drum	
CON10082230	TP Trailer, Parallel	Steel	SET415	SET415	Short	Drum	
CON10082231	TP Trailer, Parallel	Iron	SET415 or 432	SET415 or 432	Long	Drum	
CON10083398	TP Trailer, Parallel	Aluminum	SET415 or 432	SET415 or 432	Long	Disc	
CON10083400	TN Trailer, Tapered	Iron	SET414	SET413	Long	Disc	
CON10083402	TP Trailer, Parallel	Iron	SET415	SET415	Long	Disc	
CON10083516	TP Trailer, Parallel	Iron	HM518410 Bearing Cup	HM518410 Bearing Cup	Long	Disc	
CON10086804B	TN Trailer, Tapered	Iron	SET414	SET413	Short	Drum	
REVRD-0001	Universal Hub Drain Pan						

Part No.	Description	Type	Bolt Circle	Bolt Size	Bolt Studs	Image
359-5990	Large Red Hub Cap Plug, 2-3/4" Diameter	Rubber	---	---	---	
300-4009	Bolt-On Hub Cap with Gasket	Oil	5-1/2"	6	5/16"	
340-4195	Standard Hub Cap with Gasket, No Oil Port	Grease	6-3/4"	6	5/16"	
343-4195	Standard Hub Cap with Oil Port	Oil	6-3/4"	6	5/16"	
358-4195	Hub Cap, Integra Sentinel Grease	Grease	6-3/4"	6	5/16"	
300-5096	Stamped Steel Hub Cap with Vent	Grease	5-1/2"	6	5/16"	
342-4009	Hub Cap w/ Gasket, Dirt Exclusion	Grease	5-1/2"	6	5/16"	
352-4195	Hub Cap, Duckbill Vent Grease	Grease	6-3/4"	6	5/16"	
CHR1612	Hub Cap w/ Gasket	Oil	4-1/2"	6	5/16"	
CHR450799	Hubcap Gasket for CHR1399	---	6-3/4"	6	5/16"	
330-3009	Hubcap Gasket for 340-4009	---	5-1/2"	6	5/16"	
330-3118	Hubcap Gasket for 340-4195	---	6-3/4"	6	5/16"	

Wheel End | Pre-Set Hubs

Wheel End | Hub Caps



Wheels

Part Number	Description	Material	Color	Holes	Bolt Circle	Temp Range
ACU27404PKWHT21	22.5 x 8.25 Steel Wheel - Stud-Piloted	Steel	White	10	11.25"	
ACU27406PKWHT21	24.5 x 8.25 Steel Wheel - Stud-Piloted	Steel	White	10	11.25"	
ACU28112PKWHT21	17.5 x 6.75 Steel Wheel - Stud-Piloted	Steel	White	10	8.75"	
ACU28656PKWHT21	17.5 x 6.75 Steel Wheel - Hub-Piloted	Steel	White	8	10.83"	
ACU28827PKWHT21	24.5 x 8.25 Steel Wheel - Hub-Piloted	Steel	White	10	11.25"	
ACU50409PKWHT21	24.5 x 8.25 Steel Wheel - Hub-Piloted	Steel	White	10	11.25"	
ACU51408PKBLK21	22.5 x 8.25 Steel Wheel - Hub-Piloted	Steel	Black	10	11.25"	
ACU51408PKWHT21	22.5 x 8.25 Steel Wheel - Hub-Piloted	Steel	White	10	11.25"	
ACU51487PKWHT21	22.5 x 8.25 Steel Wheel - Hub-Piloted	Steel	White	10	11.25"	
ACU41644XP	22.5 x 8.25 Aluminum Wheel - Hub-Piloted - Extra Polish	Aluminum	Extra Polish	10	11.25"	
ACU42362SP	15deg Aluminum Wheel - Standard Polish	Aluminum	Std Polish	10	11.25"	
ACU43644SP	Accu-Lite(R) 22.5 x 8.25 38# Aluminum Wheel - Hub-Piloted - Standard Polish	Aluminum	Std Polish	10	11.25"	
ACU43644XP	Accu-Lite(R) 22.5 x 8.25 38# Aluminum Wheel - Hub-Piloted - Extra Polish	Aluminum	Extra Polish	10	11.25"	

Spacer Bands

Part Number	Description	Diameter	Width	Material	Type
ACU4220KSB	Spacer Band	20"	4-1/4"	Gray Steel	Channel
ACU4222KSB	Spacer Band	22"	4-1/4"	Gray Steel	Channel
ACU3320KSB	Spacer Band	20"	3-3/8"	Gray Steel	Channel
ACU3520KSB	Spacer Band	20"	3-5/8"	Gray Steel	Channel
ACU4015KSB	Spacer Band	15"	4"	Gray Steel	Channel
ACU4022KSB	Spacer Band	22"	4"	Gray Steel	Channel



ACU4220KSB

Wheel Nuts

Euclid	Fleetcraft	Description	Thread
EUCE9020	106333	Wheel Nut	22MMX1.5, 33MM Hex
E5991	88881	Wheel Nut - Flanged Nut	22MMX1.5, 33MM Hex



E5991

Wheel Guards

Part Number	Description	Holes	Stud Size	Bolt Circle
ACU590-1	Wheel Guard - Stud Piloted	10	7/8" & 1-1/8"	11.25"
ACU590-2	Wheel Guard - Stud Piloted	10	3/4"	11.25"
ACU590-3	Wheel Guard - Hub Piloted	10	22MM	11.25"
ACU790-2	Wheel Guard - Hub Piloted	8	22MM	10.83"



ACU590-3

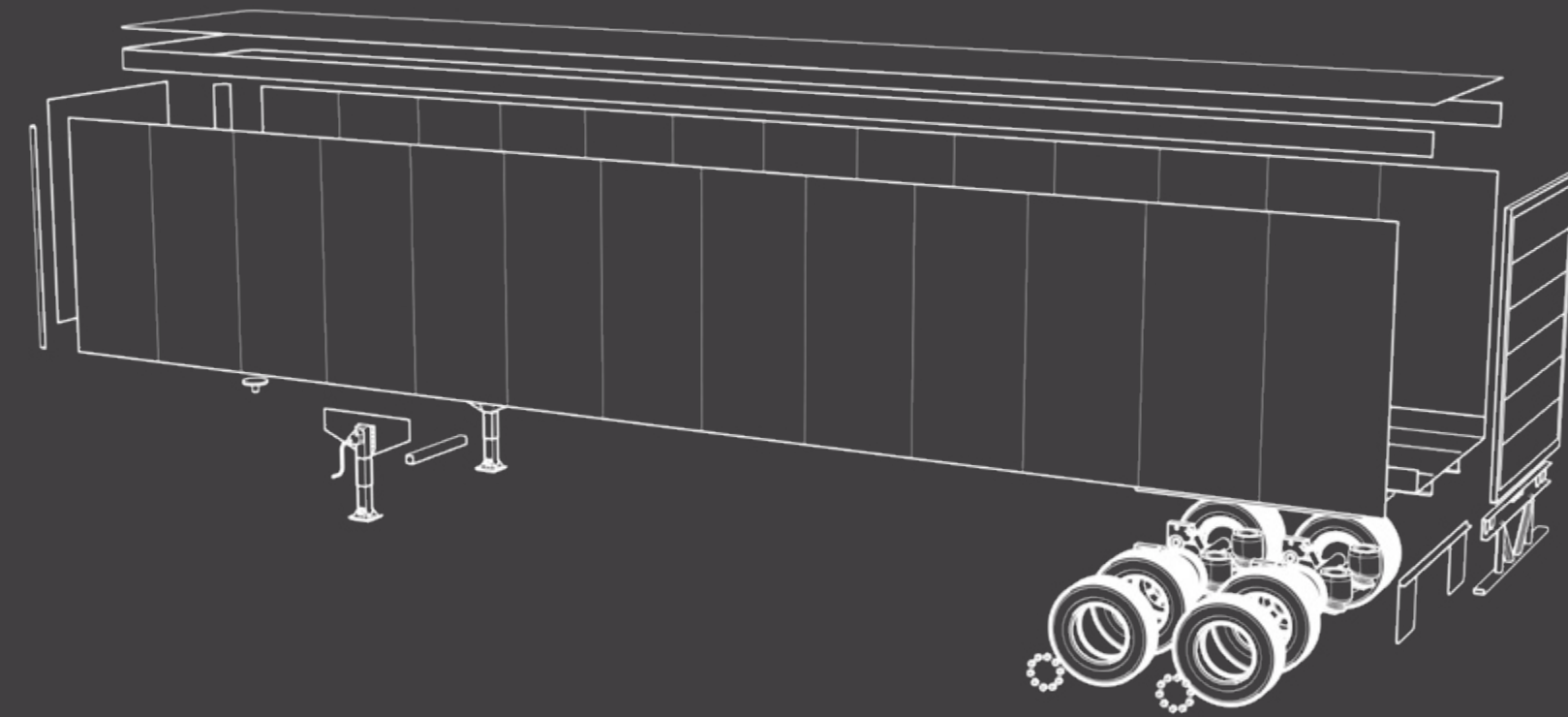


Accuride Corporation manufactures wheels, wheel end, and braking components for commercial and passenger vehicles. Our lean global manufacturing footprint means Accuride is trusted by original equipment manufacturers and the aftermarket to deliver the best products, and deliver them on time.

Our products include steel and aluminum commercial vehicle wheels and wheel-end components and assemblies. These products are marketed under some of the industry's most recognized business and brand names: Accuride Wheels and Accuride Wheel End Solutions.



**ROAD EQUIPMENT
PARTS CENTER**



**Aerodynamic
Products**

ROAD EQUIPMENT PARTS CENTER



Index	60NTA-8.....25	209P-6-2.....26	269NTA-6-8.....24
3C-SMOKE.....76	60NTA-10.....25	209P-6-4.....26	269NTA-8-4.....24
4-A1-223.....134	60NTA-12.....25	209P-8-2.....26	269NTA-8-6.....24
4-A1-224L.....134	61NTA-4.....25	209P-8-4.....26	269NTA-8-8.....24
4-A1-224R.....134	61NTA-6.....25	209P-8-6.....26	269NTA-10-6.....24
4X50.....78	61NTA-8.....25	209P-12-4.....26	269NTA-10-8.....24
4X50WH.....78	61NTA-10.....25	209P-12-6.....26	269NTA-10-12.....24
6X50.....78	61NTA-12.....25	209P-12-8.....26	269NTA-12-8.....24
10-20161-102.....283	62NTA-4.....25	211P-2.....27	269NTA-12-12.....24
10MM-TS.....147	62NTA-6.....25	211P-4.....27	271NTA-4-2.....25
16C632.....260	62NTA-8.....25	211P-6.....27	271NTA-4-4.....25
20HT71902.....185	62NTA-10.....25	211P-8.....27	271NTA-6-4.....25
021-00051.....150	62NTA-12.....25	211P-12.....27	271NTA-6-6.....25
022-00407.....148	63NTA-4.....25	213P-4.....26	271NTA-8-6.....25
022-00487.....150	63NTA-6.....25	213P-6.....26	272NTA-4-2.....25
022-00975.....148	63NTA-8.....25	213P-8.....26	272NTA-4-4.....25
022-01001.....149	63NTA-10.....25	215PN-2.....26	272NTA-6-4.....25
022-01013.....148	63NTA-12.....25	215PN-4.....26	272NTA-6-6.....25
022-01022.....150	68NTA-4-2.....25	215PN-6.....26	272NTA-8-4.....25
022-01081 / P108630A.....148	68NTA-4-4.....25	215PN-8.....26	272NTA-8-6.....25
022-01184 / 1010176.....148	68NTA-4-6.....25	215PN-12.....26	279NTA-4-2.....24
022-01407.....148	68NTA-6-2.....25	215PNL-4-15.....27	279NTA-6-2.....24
023-00639.....149	68NTA-6-4.....25	215PNL-4-20.....27	279NTA-6-4.....24
023-00645.....149	68NTA-6-6.....25	215PNL-6-15.....27	279NTA-6-6.....24
023-00660.....149	68NTA-6-8.....25	215PNL-6-20.....27	279NTA-6-8.....24
023-00662.....149	68NTA-8-4.....25	215PNL-8-25.....27	279NTA-8-4.....24
023-00669.....149	68NTA-8-6.....25	216P-2.....26	279NTA-8-6.....24
024-02591-NL.....147	68NTA-8-8.....25	216P-4.....26	279NTA-8-8.....24
024-03000.....147	68NTA-10-6.....25	216P-6.....26	279NTA-10-8.....24
025-10403.....155, 159	68NTA-10-8.....25	216P-6-4.....26	300-4009.....285
027-20500.....157	68NTA-10-12.....25	216P-8.....26	300-5096.....285
031-00406.....178	68NTA-12-8.....25	218P-2.....27	307-0723.....279
31AGM.....118	68NTA-12-12.....25	218P-4.....27	307-0743.....279
31P-950.....118	75-0301-2244-6.....78, 175	218P-6.....27	308-0836.....280
31S-750.....118	75-0301-2246-1.....78, 175	218P-8.....27	309-0973.....280
31S-950.....118	75-0301-2248-7.....78, 175	218P-12.....27	326-00.....243
033-00864.....177	75-0302-6613-6.....78, 175	219P-4.....27	330-3009.....285
033-00868.....177	80SM97.....174	219P-6.....27	330-3118.....285
033-04992.....177	81-8FO.....174	222P-4-2.....26	340-4195.....285
033-04993.....177	81-8SFO.....174	222P-4-4.....26	340-4372.....251
033-08002.....177	81-8WFO.....174	222P-6-2.....26	342-4009.....285
034-00732.....178	90-4-1563-0-126.....271	222P-6-4.....26	343-4195.....285
034-01352.....178	90-4-1666-0-112.....263	222P-6-6.....26	343-4370.....251
034-01366.....178	110-555JHO.....121	222P-8-4.....26	343-4372.....251
034-01367.....178	110-555PHO.....121	222P-8-6.....26	352-4195.....285
034-02198.....178	126CT.....174	222P-12-8.....26	354-00.....243
040X103.....270	149F-4-4.....24	264NTA-4.....24	355-00.....243
42F-10.....24	149F-10-8.....24	264NTA-6.....24	356-00.....243
48F-4-2.....24	207P-2.....26	264NTA-8.....24	358-4195.....285
48F-6-4.....24	207P-4.....26	264NTA-10.....24	359-5990.....285
48F-6-6.....24	207P-6.....26	269NTA-4-2.....24	365-00.....243
48F-8-6.....24	207P-8.....26	269NTA-4-4.....24	372-7097.....279
48F-8-8.....24	207P-12.....26	269NTA-4-6.....24	372-7099.....279
48F-10-8.....24	208P-6-2.....26	269NTA-4-8.....24	373-0123.....279
050X49X110PRBLU.....263	208P-6-4.....26	269NTA-6-2.....24	373-0143.....279
60NTA-4.....25	208P-8-6.....26	269NTA-6-4.....24	373-0423.....279
60NTA-6.....25	209P-4-2.....26	269NTA-6-6.....24	373-0443.....279



382A.....278	700-99-186.....78	02475.....278	11802.....31
382AT.....278	700-99-193.....78	02475T.....278	11804.....31
383-0136.....280	700-99-307-20.....74	3150.....77	11805.....31
383-0236.....280	700-99-310-20.....74	3521-626-57.....67	11812.....31
387A.....278	700-99-312-20.....74	3524-623-56.....67	11813.....31
387AT.....278	700-99-561-20.....74	3532-725-55.....67	11900.....31
392-9131.....280	700-515-149.....149	3562-320-05.....67	11901.....31
393-0173.....280	801-6000.....282	3583-520-15.....67	11902.....31
400-4723.....281	981-00166.....176	3920.....278	11903.....31
400-4743.....281	984-00032.....176	3920T.....278	11904.....31
400-4836.....281	984-00035.....176	3984.....278	11905.....31
400-4837.....281	997-98015.....150	3984T.....278	11906.....31
400-4864.....281	997-98016.....150	4005.....151	11908.....31
400-4865.....281	997-98019.....150	4006PR.....151	11912.....31
400-4904.....281	1001R12607G.....194, 195	4012.....151	11913.....31
400-4973.....281	1001R12653G.....193	4042PR.....151	14125A.....278
447-4723.....281	1001R12692G.....194, 195	4044.....151	14125AT.....278
447-4743.....281	1001R13109G.....194, 195	4049.....151	14276.....278
448-4836.....281	1001R14250G.....195	4090.....151	14276T.....278
448-4837.....281	1001R121202.....193	4141.....151	14344-01.....197, 199
448-4864.....281	1005.....175	4207.....151	14682-01.....197
448-4865.....281	1005-B1.....175	4208.....151	14683-01.....197
449-4904.....281	01050-02.....72	5006BW.....75	14684-01.....197
449-4973.....281	01055-01.....72	5515-100.....126	15123.....278
480-4723-XR.....281	1064.....151	5515-175.....126	15123T.....278
0538-00.....197	01064-06.....72	5515-200.....126	16024.....32
572.....278	1215.....75	5515-225.....126	16030.....32
572T.....278	01256.....96	5515-250.....126	16036.....32
580.....278	01259.....96	5515-300.....126	16048.....32
580T.....278	01268.....96	5526-038X50.....126	16318.....32
592A.....278	1402-2003.....148	5526-050X50.....126	16320.....32
594A.....278	1402-7523.....148	5526-062X50.....126	16322.....32
594AT.....278	1824.D.....39	5526-075X50.....126	16324.....32
600-9999.....282	2200P-2-2.....26	5526-100X50.....126	16326.....32
610-0006.....282	2200P-4-4.....26	5632.....72	16328.....32
610-0028.....282	2200P-6-6.....26	6002S.....30	16330.....32
610-0065.....282	2200P-8-8.....26	6003.....30	16332.....32
610-0084.....282	2202P-2-2.....26	6006.....30	16334.....32
625X24X52BLACK.....262	2202P-4-2.....26	7884-100.....127	16336.....32
625X24X52-WHITE.....262	2202P-4-4.....26	7884-125.....127	16338.....32
650-0587.....282	2202P-6-6.....26	7884-175.....127	16340.....32
650-0598.....282	2202P-8-8.....26	7884-200.....127	16342.....32
650-0601.....282	2203P-2.....27	7884-250.....127	16344.....32
650-0605.....282	2203P-4.....27	7884-300.....127	16348.....32
650-0608.....282	2203P-6.....27	7896-100.....127	16354.....32
650-0610.....282	2203P-8.....27	7896-225.....127	16360.....32
650-0613.....282	2214P-2-2.....26	7896-250.....127	16372.....32
650-0626.....282	2214P-4-4.....26	7896-300.....127	16374.....32
700-99-39-20.....74	2214P-6-6.....26	08064-06.....72	16384.....32
700-99-41-20.....74	2214P-8-8.....26	08595-01.....197	16420.....32
700-99-42-20.....74	2224P-4.....27	08914-01.....197	16424.....32
700-99-43-20.....74	2224P-6.....27	9129-1T.....166	16426.....32
700-99-44-20.....74	2224P-8.....27	9260-3.....134	16428.....32
700-99-45-20.....74	2225P-2.....27	09832-01.....197	16432.....32
700-99-68-20.....74	2225P-4.....27	11340.....175	16436.....32
	2225P-6.....27	11603.....34	16440.....32
	2225P-8.....27	11801.....31	16444.....32

Index

Index

ROAD EQUIPMENT PARTS CENTER



16448.....	32	25580.....	278	46520M.....	282	66969M.....	242
16466.....	32	25580T.....	278	49200.....	74	69035T.....	169, 171
16614.....	32	25614.....	175	49202.....	74	69110.....	171
16618.....	32	28622.....	278	49203.....	74	69162T.....	154, 166, 171
16620.....	32	28622T.....	278	49442.....	74	69431T.....	167, 169, 171
16622.....	32	28682.....	278	49494.....	74	69432T.....	167, 169, 171
16624.....	32	28682T.....	278	49558.....	74	69433T.....	167
16626.....	32	29014-11.5X98.....	167	49576.....	74	69571T.....	169, 171
16628.....	32	29014-11X98.....	167	51038T.....	157, 169, 171	69572.....	169, 171
16630.....	32	29014-12X98.....	167	51301.....	20	69572T.....	166
16632.....	32	29014-13X98.....	167	52210GLM.....	68	69718T.....	171
16634.....	32	29014-15X98.....	167	52215GLM.....	68	69832T.....	169, 171
16636.....	32	29014-16X98.....	167	52221GLM.....	68	70057T.....	166
16638.....	32	29014-18X98.....	167	52231GLM.....	68	70058T.....	166
16640.....	32	29016-1-11X98.....	167	52241GLM.....	68	70082-1T.....	171
16642.....	32	29016-1-12X98.....	167	55600.....	27	70082-2T.....	171
16644.....	32	29016-1-13X98.....	167	55607.....	27	70084T.....	171
16648.....	32	29016-1-15X98.....	167	55608.....	27	70093T.....	169, 171
16654.....	32	29016-1-16X98.....	167	55609.....	27	70125T.....	167
16660.....	32	29016-1-18X98.....	167	55615.....	27	70223T.....	169, 171
16672.....	32	29018-11X98.....	167	55620.....	27	70224T.....	155
16674.....	32	29018-12X98.....	167	55661.....	27	70236T.....	167
16684.....	32	29018-13X98.....	167	56400.....	74	70305T.....	166
16810-00.....	197	29018-15X98.....	167	59129-1T.....	169, 171	70311T.....	167
16818.....	32	29020-11X98.....	167	59129-2T.....	169, 171	70393TT.....	166
16824.....	32	29020-12X98.....	167	59157-3T.....	169, 171	80015-0040.....	169
16828.....	32	29020-13X98.....	167	59157-4T.....	169, 171	80015-0052.....	171
16830.....	32	29020-15X98.....	167	59174-90T.....	169	80020T.....	169, 171
16832.....	32	30500.....	273	59209T.....	169	80844-1T.....	166
16836.....	32	31305.....	31	59220T.....	169	80844.1152T.....	157
16840.....	32	31402.....	31	59292T.....	169	88881.....	287
16842.....	32	31403.....	31	61026T.....	169, 171	89210-0036.....	169
16844.....	32	31601DEL.....	77	61174T.....	154, 157, 166	89210-0044.....	169
16848.....	32	33222W.....	120	61196T.....	157, 167	90891.....	73
16854.....	32	33223W.....	120	61204T.....	169, 171	90892.....	73
16860.....	32	33272W.....	120	61352T.....	157, 167	106333.....	287
16872.....	32	33273W.....	120	61401T.....	169, 171	110170.....	20
17350-02.....	187	33274W.....	120	65101M.....	242	110171.....	20
20852-01.....	199	33276W.....	120	65148M.....	242	110257.....	21
21600.....	20	33288W.....	120	65158M.....	242	110410.....	20
21693-01.....	197	33968W.....	120	65175M.....	242	110415.....	20
21725-01.....	199	33969W.....	120	65416M.....	242	110470.....	20
21838W.....	122	35500W.....	120	65419M.....	242	110500.....	20
22551W.....	122	35733W.....	122	65431M.....	242	110700.....	20
22572W.....	122	35795W.....	120	65433M.....	242	110800.....	20
22664W.....	122	35899W.....	122	65468M.....	242	140280.....	21
22771W.....	122	35933W.....	120	65486M.....	242	163140.....	13
22916W.....	122	35938W.....	120	65490M.....	242	163141.....	13
22920W.....	122	35972W.....	122	65492M.....	242	202032.....	72
22936W.....	122	35975W.....	120	65495M.....	242	202132.....	72
22940W.....	122	35978W.....	120	65503M.....	242	207000WHITE.....	8
22962W.....	122	35980W.....	120	65511M.....	242	212392.....	278
22963W.....	122	35983W.....	122	65512M.....	242	212393.....	278
22980W.....	122	38502.....	99	65528M.....	242	370001A.....	280
23334-01.....	183	39000-1012FG.....	77	66608M.....	242	370003A.....	280
25520.....	278	43001-624.....	67	66634M.....	242	370025A.....	279
25520T.....	278	46500M.....	282	66893M.....	242	370065A.....	279



375001A.....	280	1011223.....	133	1013964-2.....	137	1014348.....	262
375003A.....	280	1011225.....	133	1013964K.....	137	1014349.....	262
375025A.....	279	1011235.....	134	1013985.....	176	1014350KIT.....	232
375065A.....	279	1011235-56.5.....	134	1013992-1.....	137	1014352KIT.....	232
380001A.....	280	1011247.....	133	1013992-2.....	137	1014353KIT.....	232
380003A.....	280	1011248.....	133	1013992K.....	137	1014355KIT.....	232
380025A.....	279	1011249.....	133	1013993.....	137	1014356.....	262
380065A.....	279	1011310.....	133	1013994.....	137	1014357.....	262
440161MTL.....	175	1011410.....	96	1013994K.....	137	1014358KIT.....	232
441102.....	12	1011535.....	174	1013995.....	137	1014439.....	132
441103.....	12	1011541.....	34	1013995K.....	137	1014440.....	132
441126.....	12	1011543.....	34	1013996.....	137	1014442.....	132
441127.....	12	1011544.....	34	1014044.....	147	1014444.....	132
441128.....	12	1011585.....	261	1014045.....	147	1014445.....	132
466422.....	175	1011861.....	96	1014245.....	165	1014446.....	132
0798001.....	197	1011861-500.....	96	1014245GA.....	165	1014855.....	177
0837601.....	243	1012403.....	96	1014246.....	165	1014857.....	177
0856701.....	197	1012589.....	133	1014246GA.....	165	1014858.....	177
0973001.....	197	1012590.....	133	1014247.....	165	1016842.....	74
0973001.....	199	1012591.....	133	1014248.....	165	1025371.....	261
1010044.....	72	1012597.....	133	1014248GA.....	165	1025373.....	261
1010046.....	72	1013423.....	34	1014249.....	165	1026120.....	157
1010047.....	72	1013425.....	34	1014250.....	165	1026123.....	154, 157
1010052.....	76	1013477.....	273	1014250GA.....	165	1026128.....	154, 157
1010053.....	76	1013479.....	273	1014251.....	165	1026431.....	154, 157
1010054.....	72	1013566.....	133	1014251GA.....	165	1027715.....	155, 159
1010056.....	72	1013859.....	147	1014252.....	165	1031531.....	96
1010057.....	72	1013860.....	147	1014252GA.....	165	1031533.....	96
1010058.....	72	1013862.....	147	1014253.....	165	1031535.....	96
1010083.....	256	1013863.....	147	1014253GA.....	165	1031536.....	96
1010126.....	96	1013864.....	147	1014254.....	165	1031538.....	96
1010126-500.....	96	1013865.....	147	1014254GA.....	165	1031540.....	96
1010181.....	175	1013870.....	146	1014255.....	165	1031542.....	96
1010185.....	97	1013874.....	146	1014255GA.....	165	1031543.....	96
1010186.....	97	1013877.....	146	1014256.....	165	1037901-4-25.....	150
1010187.....	97	1013878.....	146	1014256GA.....	165	1037901-6-25.....	150
1010188.....	97	1013882.....	146	1014257.....	165	1037901-F.....	150
1010196.....	97	1013883.....	146	1014259GA.....	165	1037902.....	150
1010403.....	34	1013885.....	146	1014264KIT.....	232	1039113.....	151
1010404.....	34	1013886.....	146	1014265KIT.....	232	1059065.....	78
1010447.....	39	1013887.....	146	1014266KIT.....	232	1059610.....	78
1010451.....	39	1013912.....	137	1014267KIT.....	232	1063098.....	261
1010453BX.....	39	1013912-1.....	137	1014268KIT.....	232	1063524.....	185
1010455.....	39	1013912-2.....	137	1014269KIT.....	232	1063526.....	185
1010456.....	39	1013912K.....	137	1014274KIT.....	232	1094755.....	96
1010457BX.....	39	1013916K.....	137	1014307-25.....	31	1100845.....	73
1010460.....	39	1013932.....	137	1014307-50.....	31	1100846.....	73
1010470.....	39	1013932-1.....	137	1014307-150.....	31	1100848.....	73
1010473.....	39	1013932-2.....	137	1014307-250.....	31	1100850.....	73
1010476.....	39	1013932K.....	137	1014309KIT.....	232	1100851.....	73
1010500.....	93	1013962.....	137	1014310-25.....	31	1135920.....	92
1010501.....	93	1013962-1.....	137	1014310-50.....	31	1135921.....	92
1010503.....	93	1013962-2.....	137	1014310-250.....	31	1135922.....	92
1011038.....	175	1013962K.....	137	1014310KIT.....	232	1135923.....	92
1011039.....	271	1013962K12.....	137	1014342-52.....	262	1135924.....	92
1011078.....	175	1013964.....	137	1014343-52.....	262	1149545.....	177
1011221.....	133	1013964-1.....	137	1014344-52.....	262	1149548.....	177

Index

Index

ROAD EQUIPMENT PARTS CENTER



1153666	150	1412023	77	3260180	195	4005001020	18
1153668	150	1412043	77	3260181	195	4005001030	17, 18
1157011	260	1424701	199	3260182	195	4005001040	17, 18
1157013	260	1424801	199	3260183	195	4006120000	17
1157014	260	1425001	199	3260186	195	4006120010	17
1157015	260	1517101	197	3260187	195	4006120090	18
1157020	134	1517201	199	3260196	195	4006120100	17
1157030	260	1517301	199	3260197	195	4006120110	17
1157031	259	1517801	199	3267739C100	194	4006120120	17
1157033	259	1517901	199	3267739C200	194	4006120160	17
1157034	259	1610004-100	33	3267744C106	194	4008506000	18
1157035	259	1610004-1000	33	3267744C108	194	4008506010	18
1164250-MC18	270	1610006-100	33	3267744C206	194	4008506020	18
1164500-MC	270	1610006-500	33	3267744C208	194	4324139292	23
1164530	273	1610006BLUE-100	33	3360112	193	4324209232	23
1164532	270	1610006BLUE-500	33	3360113	193	4324711010	23
1165075	270	1610006G-100	33	3360114	193	4325000050	18
1190161	73	1610006G-500	33	3360115	193	4329012482	23
1190162	73	1610006R-100	33	3360118	193	4410309042	19
1190163	73	1610006R-500	33	3360119	193	4410309072	19
1190291	177	1610008-100	33	3360120	193	4410309082	19
1190299	177	1610008-500	33	3360121	193	4410309102	19
1190299-SP	177	1610008BLUE-100	33	6040029	194	4410309172	19
1190300	177	1610008BLUE-500	33	6040098	195	4410309182	19
1190300-SP	177	1610008R-100	33	6040128	193	4461082010	18
1190301	177	1610008R-500	33	6040167	193	4461082040	18
1190301-SP	177	1610010-50	33	6040168	193	4493150300	18
1190374-100	92	1615012	13	7100130	13	4493151500	18
1190405	177	1615012B	13	8013809	283	4493260470	19
1190654	155	1615012R	13	8013811	283	4493510100	18
1190656	133	1615040	13	8200235	121	4497130180	19
1210300	74	1615040B	13	8200308	121	4497130300	19
1210303	74	1615040R	13	8200433	121	4497130500	19
1210304	74	1810001	19	8200434	121	4497230180	19
1210306	74	1810002	19	8200468	121	4721950330	18
1210311	74	2150202	193	8201100	121	4721950520	18
1210326	74	2150204	193	8300084	121	4784070584	18
1210340	74	2150311	193	8600066	121	4801070010	18
1210344	74	2150311	193	8600127	121	8946011322	18
1210363	74	2150321	193	8600201	121	8946049440	18
1214264KIT	232	2150331	193	8600310	121	8946060380	18
1214265KIT	232	2150342	193	8600314	121	A4	278
1214266KIT	232	2400114	195	8600315	121	A17	278
1214352KIT	232	2400117	195	8600889	121	A24J160 / AVI555J	121
1214353KIT	232	2400206	195	8700018	121	A24P160 / AVI555P	121
1214354KIT	232	2400208	195	10461052	121	A24P1604P	121
1214356KIT	232	2400306	194	10461053	121	A28P200	121
1214370KIT	232	2400308	194	10465043	121	A35P140	121
1218818	177	2400614	194	19020310	121	A36P170	121
1270563B000	195	2400715	194	19020889	121	ACR49706-10	66
1270563B000	195	2400717	194	50860013	201, 203	ACR50759-12	69
1310365	257	2600114	195	50860014	201, 203	ACU590-1	287
1310600	150	2600117	195	50860015	201, 203	ACU590-2	287
1310603	150	2600206	195	50860016	201, 203	ACU590-3	287
1410050	122	2600208	195	61008898	121	ACU790-2	287
1410150	122	3260056	194	1003589101C	194	ACU3320KSB	287
1412016	77	3260057	194	4005001010	17, 18	ACU3520KSB	287



ACU4015KSB	287	AQ64-DOT-6	29	ASET594A-92A	278	BNKM3-4707QP	62
ACU4022KSB	287	AQ64-DOT-8	29	AVR5701700AE	175	BNKM3-4709-2	60, 62
ACU4220KSB	287	AQ68-DOT-3X2	28	AW32	77	BNKM3-4711QP	60
ACU4222KSB	287	AQ68-DOT-4X2	28	B673025NTBK	177	BNKM3-4719-2F	60
ACU27404PKWHT21	286	AQ68-DOT-4X4	28	BALB76	123	BNKM3-4720QP	60
ACU27406PKWHT21	286	AQ68-DOT-4X6	28	BALB99	123	BNKM3-4726-2	60
ACU28112PKWHT21	286	AQ68-DOT-6X2	28	BALB495	123	BNKM3-PQ4591	60
ACU28656PKWHT21	286	AQ68-DOT-6X4	28	BALB7177	123	BNKM8-4515FQ	60
ACU28827PKWHT21	286	AQ68-DOT-6X6	28	BALB7409	123	BNKM8-4515TQ	60
ACU41644XP	286	AQ68-DOT-6X8	28	BALB7685	123	BNKM8-4591	60
ACU42362SP	286	AQ68-DOT-8X4	28	BALBD7154	123	BNKM8-4692FCN	60
ACU43644SP	286	AQ68-DOT-8X6	28	BALBD50000	123	BNKM8-4702QP	60
ACU43644XP	286	AQ68-DOT-8X8	28	BALBF1259	124	BNKM8-4704QP	60
ACU50409PKWHT21	286	AQ68-DOT-10X6	28	BALBF5810	124	BNKM8-4707QP	62
ACU51408PKBLK21	286	AQ68-DOT-10X8	28	BALBF7587	124	BNKM8-4709-2	60
ACU51408PKWHT21	286	AQ68-DOT-12X12	28	BALBF7814	124	BNKM8-4710QP	60
ACU51487PKWHT21	286	AQ68-P-2X2	28	BALBF9885	124	BNKM8-4711QP	60
AL79	176	AQ68-P-15625X2	28	BALBF46117	124	BNKM8-4715QP	60
AL84	176	AQ69-DOT-8X4	28	BALBF46129	124	BNKM8-4719-2F	60
AP1.125X5X16	261	AQ69-DOTS-4X2	28	BALBF63000	124	BNKM8-4720QP	60
AP1.125X7X16	261	AQ69-DOTS-4X4	28	BALPA4857	125	BNKM8-4725-2F	60
AP1.312X5X16	261	AQ69-DOTS-4X6	28	BALPA5359	125	BNKM8-4726-2	60
AP1.312X7X16	261	AQ69-DOTS-6X2	28	BALPA30093	125	BNKM8-PQ4591	60
AP2X8X18	261	AQ69-DOTS-6X4	28	BALPA32000	125	BNX065104	20
AQ54-DOT-4X2	28	AQ69-DOTS-6X6	28	BALPF7680	124	BNX065125	20
AQ54-DOT-4X4	28	AQ69-DOTS-6X8	28	BALPF7744	124	BNX065225	23
AQ54-DOT-6X2	28	AQ69-DOTS-8X4	28	BALPF7748	124	BNX065612	23
AQ54-DOT-6X4	28	AQ69-DOTS-8X6	28	BALPF7930	124	BNX107794X	23
AQ54-DOT-6X6	28	AQ69-DOTS-8X8	28	BALPF9804	124	BNX109477X	23
AQ54-DOT-6X8	28	AQ69-DOTS-10X6	28	BALPF9814	124	BNX109493X	23
AQ54-DOT-8X4	28	AQ69-DOTS-10X8	28	BALPF9908KIT	124	BNX109685X	23
AQ54-DOT-8X6	28	AQ69-DOTS-12X8	28	BALRS3518	125	BNX109995	23
AQ54-DOT-8X8	28	AQ69-P-2X2	28	BB7820-108	33	BNX229635N	20
AQ54-DOT-10X6	28	AQ69-P-15625X2	28	BC-1	75	BNX275491N	23
AQ54-DOT-10X8	28	AQ71-DOT-4X4	29	BET920190	96	BNX289714N	21
AQ54-DOT-12X8	28	AQ71-DOT-6X4	29	BET920191	96	BNX800333	21
AQ54-DOTS-4X2	28	AQ71-DOT-6X6	29	BETPS211PA2	178	BNX800887	23
AQ54-DOTS-4X4	28	AQ71-DOT-8X6	29	BETQF615KIT	178	BNX801266	23
AQ54-DOTS-6X2	28	AQ71-DOTS-4X2	29	BNA80430001	48	BNX801856	16
AQ54-DOTS-6X4	28	AQ71-DOTS-4X4	29	BNA80430004	48	BNX801996	16
AQ54-DOTS-6X6	28	AQ71-DOTS-6X4	29	BNA80430009	48	BNX802026	16
AQ54-DOTS-6X8	28	AQ71-DOTS-6X6	29	BNA80480004	48	BNX802569	50
AQ54-DOTS-8X4	28	AQ71-DOTS-8X6	29	BNKF523-4515FQ	60	BNX5004341X	23
AQ54-DOTS-8X6	28	AQ72-DOT-4X4	29	BNKF523-4704QP	60	BNX5008414	23
AQ54-DOTS-8X8	28	AQ72-DOT-6X4	29	BNKFC20-4515TQ	60	BNX5010696X	23
AQ54-DOTS-10X8	28	AQ72-DOT-6X6	29	BNKFC20-4707QP	60	BNXK019180	54
AQ59-P-4	28	AQ72-DOT-8X6	29	BNKFC23-4515FQ	60	BNXK019181	54
AQ59-P-6	28	AQ72-DOTS-4X2	29	BNKFC23-4515TQ	60	BNXK022105	23
AQ59-P-8	28	AQ72-DOTS-4X4	29	BNKFC23-4707QP	60	BNXK029141	16
AQ62-DOT-4	29	AQ72-DOTS-6X4	29	BNKFC23-4715QP	60	BNXK033221	20
AQ62-DOT-6	29	AQ72-DOTS-6X6	29	BNKM3-1308E	60	BNXK033223	20
AQ62-DOT-8	29	AQ72-DOTS-8X6	29	BNKM3-1443	60	BNXK043197	40
AQ62-DOT-10	29	AS11	76	BNKM3-4515FQ	60	BNXK081142	55
AQ62-DOT-12	29	ASET049-011	278	BNKM3-4515TQ	60, 62	BNXK081143	55
AQ62-P-2	29	ASET248-210	278	BNKM3-4692FC	60	BNXK081258	54
AQ62-P-15625	29	ASET445-410	278	BNKM3-4702QP	60	BNXK081259	54
AQ64-DOT-4	29	ASET580-72	278	BNKM3-4704QP	60	BNXK100247	16

Index

Index

ROAD EQUIPMENT PARTS CENTER



BNXK108581.....16	CE4081005.....119	CT64645.....234, 239, 240	F36261.....12
BNXK109326.....16	CE4081024.....119	CT64683.....236, 240	F5204515FQ.....60
BNXK109808.....16	CE4081055X.....119	CT64692.....238, 241	FC20-1443.....60
BNXK129276.....47	CE4081060X.....119	CT64693.....238, 241	FC20-4515FQ.....60
BNXK129605.....39	CE4100605.....119	CT64695.....237, 241	FC20-4515TQ.....60
BNXK132352.....39	CHR1612.....285	CT64696.....237, 241	FC20-4515TQN.....60
BNXK149714SC.....52	CHR35058XT.....280	CT64697.....238, 241	FC20-4702QP.....60
BNXK149715SC.....52	CHR35066.....280	CT65593.....234, 240	FC20-4704QPN.....60
BNXK181268.....16	CHR35103.....280	CT65807.....233, 239, 240	FC20-4707QP.....60
BNXK221564.....16	CHR42623.....279	CT66666.....234, 240	FC20-4709.....60
BNXK221570.....16	CHR42627.....279	CT67473.....235, 240	FC20-4709-2.....60
BNXOR229859X.....21	CHR42627XT.....279	CT67586.....236, 240	FC20-4711QP.....60
BNXOR275491X.....23	CHR46300.....279	CT67588.....236, 240	FC20-4715QP.....60
BNXOR289714X.....21	CHR46300XT.....279	CT68151.....236, 240	FC20-4718QP.....60
BPCB5500.....177	CHR46305.....279	CT73746.....236, 240	FC20-4720QP.....60
BPCWC1085H.....176	CHR47691XT.....280	CT73913.....238, 241	FC23-4515FQ.....60
BPCWC6096A.....176	CHR47693.....280	CT75741.....234, 239, 240	FC23-4515TQ.....60
BR4.....278	CHR47697.....280	CYCC-1.....75	FC23-4515TQN.....60
BR17.....278	CHR450799.....285	CYCC-10.....75	FC23-4707QP.....60
BR28682.....278	CON1004588.....279	CYCC-30.....75	FC23-4707QPN.....60
CE17435.....119	CON10009920.....61	CYCC-33V.....75	FC23-4709.....60
CE17446.....119	CON10012097.....61	CYCC-34.....75	FC23-4709-2.....60
CE17470.....119	CON10045885.....280	CYCC-35.....75	FC23-4711QP.....60
CE17511.....119	CON10045887.....280	CYCC-108C.....75	FC23-4715QP.....60
CE17591.....119	CON10045889.....279	CYCC-111C.....75	FC23-4718QP.....60
CE22550.....119	CON10081828.....61	CYCC-120.....75	FC23-4720QP.....60
CE49147.....128	CON10082074.....49	CYCC-121.....75	FC212E.....68
CE49514.....128	CON10082217.....284	CYCC-331.....75	FC216E.....68
CE49520.....128	CON10082219.....284	CYCC-392.....75	FC227FH.....68
CE49545.....128	CON10082226.....284	CYCC-400.....75	FC230FH.....68
CE49563.....128	CON10082227.....284	CYCC-661.....75	FC430FH.....67
CE49580.....128	CON10082230.....284	CYCPYNVOC15.....75	FC01073.....40
CE49582.....128	CON10082231.....284	CYCPYSFR11.....75	FC01074.....40
CE49601.....128	CON10082251.....283	DEF25.....72	FC01140.....40
CE49603.....128	CON10082252.....283	DEFD.....72	FC01141.....40
CE49607.....128	CON10082255.....283	DL-BU-1.....151	FC5329.....19
CE65004.....126	CON10082256.....283	DL-NH-LH.....151	FC5335.....19
CE65012.....126	CON10083398.....284	DL-NH-RH.....151	FC5336.....19
CE65026.....126	CON10083400.....284	DR-1-PLUS.....66	FC5338.....19
CE65028.....126	CON10083402.....284	DR-2.....66	FC5341.....19
CE65029.....126	CON10083516.....284	E30ST.....120	FC5342.....19
CE65031.....126	CON10085621.....49	E50ST.....120	FC10211.....40
CE65033.....126	CON10086804B.....284	E60ST.....120	FC10212.....40
CE65035.....126	CT64254.....233, 239, 240	E5991.....287	FC12104.....30
CE65125.....126	CT64266.....236, 240	EC53AB.....76	FC12105.....30
CE65126.....126	CT64269.....235, 240	EC1055AB.....76	FC22010-40.....98
CE65127.....126	CT64284.....233, 239, 240	EM-801.....69	FC022105.....23
CE65128.....126	CT64287.....235, 240	EUCE4329.....22	FC28600.....20
CE4060635.....119	CT64288.....237, 241	EUCE9020.....287	FC28601.....20
CE4060638.....119	CT64394.....235, 240	F520-4515TQ.....60	FC65225.....23
CE4060640.....119	CT64395.....235, 240	F520-4704QP.....60	FC065624.....23
CE4080560.....119	CT64397.....234, 240	F523-1443.....60	FC101191.....236, 240
CE4080625.....119	CT64421.....233, 239, 240	F523-4515FQ.....60	FC108050.....233, 239, 240
CE4080630.....119	CT64439.....235, 240	F523-4515TQ.....60	FC108091.....233, 239, 240
CE4080797.....119	CT64456.....233, 239, 240	F523-4704QP.....60	FC108204.....233, 239, 240
CE4080830.....119	CT64636.....234, 239, 240	F04827.....177	FC108708.....233, 239, 240
CE4080855.....119	CT64638.....233, 239, 240	F36161.....12	FC108709.....234, 239, 240



FC108713.....234, 239, 240	FCP20170.....98	GRT82-1016.....99	GRT77933.....110
FC108729.....234, 239, 240	FCP20172.....98	GRT82-5702.....118	GRT78194.....110
FC108755.....234, 240	FCP20310.....98	GRT82-5722.....118	GRT67000.....101
FC109082.....235, 240	FCP20312.....98	GRT82-6717.....118	GRTG4002.....107
FC109265.....237, 241	FCP40100.....98	GRT82-6718.....118	GRTG4003.....109
FC109270.....235, 240	FCP40101.....98	GRT82-6721.....118	GT-1101.....174
FC109580.....235	FCP40102.....98	GRT82-6723.....118	GT-2036.....177
FC109780.....235, 240	FCP40103.....98	GRT87-7000.....96	GT-2601.....13
FC109781.....236, 240	FCP40230.....98	GRT87-7002.....96	GT-2601WS.....13
FC109807.....236, 240	FCP40240.....98	GRT87-7010.....96	GT-2602.....13
FC109974.....236, 240	FCP40250.....98	GRT47072.....109	GT-2602WS.....13
FC109978.....236, 240	FCP40260.....98	GRT47073.....109	GT-2603.....13
FC229635.....20	FCP50040.....98	GRT47163.....109	GT-2604.....13
FC275491.....23	FCP50044.....98	GRT47242.....109	GTMGT-1002WHT.....174
FC289714.....21	FCP50100.....98	GRT47243.....109	GTMGT-1317.....150
FC801266.....23	FCP50101.....98	GRT47463.....109	GW90X90WH.....152
FC810019.....40	FCP50230.....98	GRT47962.....109	GW98X107WH.....152
FC7130180.....19	FCP50240.....98	GRT47963.....109	H43001.....67
FCB005-890.....267	FCP80172.....98	GRT47972.....109	H43002.....67
FCB010-910-002.....260	FP12KIT.....73	GRT49042.....110	HB-1156-6.....149
FCB015-902.....274	FP100-Bulk.....76	GRT49082.....110	HB-1156-6-P.....149
FCB025-211.....264	FP200.....73	GRT49142.....110	HD200.....278
FCB025-214.....264	FP620.....73	GRT49162.....110	HD201.....278
FCB025-707.....264	FT-4515C.....60	GRT49333.....109	HD203.....278
FCB025-753-001.....265	G5-170X.....129	GRT52922.....107	HD205.....278
FCB025-754.....264	G5-280X.....129	GRT53102.....107	HD206.....278
FCB025-807.....264	G5-281X.....129	GRT53252.....107	HD208.....278
FCB025-880.....265	G5-407X.....129	GRT53252-3.....107	HLX1810000.....17
FCB028-221.....258	G5-675X.....129	GRT53292.....107	HLX40010143.....40
FCB030-205.....263	G5-676X.....129	GRT53302.....107	HLX40010211.....40
FCB030-214.....263	G5-677X.....129	GRT53552.....107	HLX40010212.....40
FCB030-220.....263	GAB83126.....242	GRT53962.....107	HLX40010305.....40
FCB030-800.....263	GAB83128.....242	GRT53963.....109	HLX40020211.....40
FCB030-865.....263	GAB83203.....242	GRT54163.....109	HLX40020212.....40
FCB030-875.....263	GAB83389.....242	GRT54173.....109	HLX48100225.....21
FCB030-919-001.....263	GAB85000.....242	GRT54332.....107	HLX48100267.....21
FCB030-919-002.....263	GAB85062.....242	GRT54342.....107	HLX90054007.....21
FCB035-301.....265	GAB85066.....242	GRT54492.....107	HLX90054074.....21
FCB035-750.....264	GAB85067.....242	GRT60001.....108	HLX90054075.....21
FCB035-802.....265	GAB85069.....242	GRT60331.....108	HLX90054088.....20
FCB040-807.....267	GAB85084.....242	GRT60381.....108	HLX90054630.....21
FCB040-883.....267	GAB85724.....242	GRT60671.....108	HLX90554107.....21
FCB045-220-001.....267	GAB85909.....242	GRT60681.....108	HLX90554615.....22
FCB045-222.....267	GAB85910.....242	GRT60721.....108	HLX90555100.....21
FCB045-890.....268	GAB85918.....242	GRT62091.....108	HLX90555396.....21
FCB045-910.....268	GAB85919.....242	GRT62171.....108	HLXAL364040.....17
FCB045-911.....268	GAB85931.....242	GRT62211.....108	HLXAL364071.....17
FCB050-220-001.....268	GAB85938.....242	GRT62271.....108	HLXAL430614.....17
FCB050-756.....269	GAB85939.....242	GRT62691.....108	HLXAL430624.....17
FCB050-883.....269	GAB85954.....242	GRT66910.....101	HLXAL430664.....17
FCB055-805.....271	GD-CM01.....259	GRT66931.....101	HLXAL430668.....17
FCB960-101-624.....262	GP90X90WH.....152	GRT67002.....101	HLXAL918604.....17
FCMX22T-L.....53	GP90X100WH.....152	GRT77353.....110	HLXAL918606.....17
FCMX22T-R.....53	GP98X100WH.....152	GRT77362.....110	HLXAL919338.....16
FCP2247SC.....176	GP98X105WH.....152	GRT77363.....110	HLXAL919339.....16
FCP20080.....98	GP98X107WH.....152	GRT77463.....110	HLXAL919348.....17
FCP20082.....98	GRT81-2300FX.....34	GRT77913.....110	HLXAL919352.....17

Index

Index

ROAD EQUIPMENT PARTS CENTER



HLXAL92080917	HNDC-21215-1215	HNDS-20414215, 217	HNDS-23649217, 242
HLXAL102719617	HNDC-21215-3215	HNDS-20475-2281	HNDS-23651217, 242
HLXAQ96051016	HNDC-21215-5215	HNDS-20492-2281	HNDS-23720238, 241
HLXAQ96411016	HNDC-21275221	HNDS-20602-1213	HNDS-23721238, 241
HLXBE2204098	HNDC-23299C225	HNDS-20602-2213	HNDS-24024215
HLXGC303039	HNDC-28610-1C225	HNDS-20701215	HNDS-24049-2221
HLXGC3030L39	HNDC-28614225	HNDS-20716215	HNDS-24088221, 242
HLXKN2001222	HNDC-28617-1225	HNDS-20901-48219,	HNDS-24186-1215
HLXKN2830020	HNDD-23301C225	233, 239, 240	HNDS-24186-2215
HLXKN2860020	HNDD-24658C225	HNDS-20905219	HNDS-24459223
HLXKN2860120	HNDD-27653-1227	HNDS-20919215	HNDS-24460223
HLXLCP303039	HNDD-27653-2227	HNDS-20924213,	HNDS-24614-2225
HLXLCP3030S5CW39	HNDHT250T15-001213	215, 217, 219, 221, 223	HNDS-24636-1L38
HLXRDB802984CX52	HNDHT250T17-001213	HNDS-20925213,	HNDS-24636-1R38
HLXRDB802985CX52	HNDHT250TB17001213	215, 217, 219, 221, 223	HNDS-24679213, 215,
HM212011278	HNDHTRAAAX.2394227	HNDS-21076-1217	219
HM212011T278	HNDINTSUSP.26436219	HNDS-21076-2217	HNDS-24680219
HM212049278	HNDS-2157-2215, 217	HNDS-21099213,	HNDS-24691-BK213,
HM212049T278	HNDS-2212213	215, 217, 219	215, 219
HM218210278	HNDS-2592215, 217	HNDS-21140-4213,	HNDS-24705219, 221,
HM218210T278	HNDS-2723215, 217	215, 217	223
HM218248278	HNDS-2770213	HNDS-21209215, 217	HNDS-24736219
HM218248T278	HNDS-2901-37225	HNDS-21307213	HNDS-24883223
HM518410278	HNDS-3646213	HNDS-21433221	HNDS-25436242
HM518410T278	HNDS-3650-4217	HNDS-21553217	HNDS-25516227
HM518445278	HNDS-6914213	HNDS-21572215	HNDS-25593227
HM518445T278	HNDS-7342217	HNDS-21786219	HNDS-25872238, 241
HND057977-00021	HNDS-7343217	HNDS-21800-48219,	HNDS-25873219,
HNDA-1631-19213, 215,	HNDS-7345217	234, 239, 240	HNDS-25948217
219	HNDS-7349217	HNDS-21966-48233,	HNDS-26000217
HNDA-1631-35219	HNDS-13136217	239, 240	HNDS-26321219,
HNDA-5431215	HNDS-1418721, 213	HNDS-22045-48234, 240	221, 223
HNDA-22367221, 223	HNDS-14342-3221, 223	HNDS-22350-3217	HNDS-26369215, 219
HNDA-24482-1227	HNDS-14587-1217	HNDS-22350-4217	HNDS-26371217
HNDKAD2010-122	HNDS-14587-3213	HNDS-22428-8K177	HNDS-26807221, 223
HNDKAD2011-222	HNDS-14587-8217	HNDS-22510-1219	HNDS-27042221
HNDKEM0005-121	HNDS-20001242	HNDS-22510-2219	HNDS-27330219
HNDAMBOX.22221	HNDS-20002217	HNDS-22510-3219	HNDS-27447-1223
HNDAMBOX.98221	HNDS-20002 / HNDS-	HNDS-22619-2219, 223	HNDS-27653-1227
HNDAMBOX.127221	24023242	HNDS-22630-2219, 221	HNDS-27653-2227
HNDAMBOX.716221	HNDS-20010-32215,	HNDS-22632-2221	HNDS-27945225
HNDAMBOX.1089221	235, 240	HNDS-22894-4215	HNDS-28061-2221
HNDAMBOX.1327221	HNDS-20023213	HNDS-22948-48234,	HNDS-28062-2221
HNDAMBOX.1513221	HNDS-20031-2213	239, 240	HNDS-28537225
HNDB-2347-7219	HNDS-20033-2213, 215,	HNDS-23086-1221	HNDS-28654219
HNDB-21145219	217	HNDS-23086-4217	HNDS-2889038
HNDB-21211215	HNDS-20069213	HNDS-23114-40225,	HNDS-28929-48236,
HNDB-21505221	HNDS-20113217	236, 240	240
HNDB-22459221	HNDS-20124-32213,	HNDS-23294219	HNDS-29303-1215
HNDB-22923221	215, 217, 237, 241	HNDS-23316242	HNDS-29303-2215
HNDB-24460221	HNDS-20127-24215,	HNDS-23548242	HNDS-29822219
HNDB-26597227	217, 235, 240	HNDS-23566242	HNDS-30720219
HNDB-28662215	HNDS-20145-1217	HNDS-23612237, 241	HNDS-29303-1215
HNDB-33010221	HNDS-20145-2217	HNDS-23613237, 241	HNDS-30862217
HNDC-21210-1215	HNDS-20223235, 240	HNDS-23614238, 241	HNDS-30873-1217
HNDC-21210-3215	HNDS-20223-32215	HNDS-23642215	HNDS-30873-2217
HNDC-21210-5215	HNDS-20413215, 217		HNDS-31763-1C227



HNDS-31765227	HNDVS-27214225	HTH97M-UM-1.25189	HTH771701185, 187
HNDS-31901-1C219	HNDVS-29865-100248	HTH97M-UM-1.75189	HTH774600188
HNDS-31901-3C219	HNDVS-3042721	HTH97M-UM-2.75189	HTH774701188
HNDS-31929-2217	HNDVS-3042821	HTH97M-UM-54.5189	HTH801801183
HNDS-3196438	HNDVS-32054-3247	HTH97M-UM-61189	HTH801802183, 191
HNDS-3219349	HNDVS-32055-1247	HTH97M-US-ST-52189	HTH802800191
HNDS-32844-2281	HNDVS-32055-3247	HTH97M-US-UM189	HTH804000191
HNDS-33161239, 241	HNDVS-32056-1247	HTH97M-US-UM-61189	HTH922400183
HNDS-33332-2281	HNDVS-32056-3247	HTH97M-US-UM-64189	HTH962700183, 191
HNDS-33647-252	HNDVS-32068-1247	HTH97S-FL189	HTH1028710C187
HNDS-33647-352	HNDVS-32068-3247	HTH97S-ST189	HTH1056200185, 187
HNDS-33648-252	HNDVS-32070-1247	HTH97S-UM189	HTH1115400185, 187
HNDS-33648-352	HNDVS-32070-3247	HTH97S-UM-1.25189	HTH1140901183, 191
HNDS-34733223, 239,	HNDVS-32074-95248	HTH97S-UM-1.75189	HTH1142101191
241	HNDVS-32074-100248	HTH97S-UM-2.25189	HTH1142132183
HNDS-34821-1223	HNDVS-32074-105248	HTH97S-UM-2.75189	HTH1271309183, 185,
HNDS-34821-2223	HNDVS-32074-110248	HTH97S-US-IB189	187, 191
HNDS-34859223	HNDVS-32074-120248	HTH97S-US-ST189	HTH1271311183, 185,
HNDS-34860223	HNDVS-33702-1223	HTH97S-US-UM189	187, 191
HNDS-34886177	HNDVS-33703-1223	HTH97S-USUM42.5189	HTH1271314183, 185,
HNDS-34886223	HNDVS-33703-3223	HTH97T-OS-1.25183	187, 191
HNDS-35021223	HNDVS-33704-1223	HTH97T-OS-1.25191	HTH1271317183, 185,
HNDS-35310223	HNDVS-33704-3223	HTH97T-OS-75183, 191	187, 191
HNDS-35761-1223	HNDVS-33705-1223	HTH3301191	HTH1615801185, 187
HNDS-35761-2223	HNDVS-33705-3223	HTH3404185, 187	HTH1616901188
HNDS-35973-L53	HNDVS-33767-1248	HTH3500185, 187	HTH1617101188
HNDS-35973-R53	HNDVS-33767-2248	HTH17700183, 191	HTH1617501188
HNDS-36137227	HNDVS-33767-3248	HTH70201188	HTH1617801188
HNDS-36186-6221	HNDVS-33767-5248	HTH70209188	HTH1617901188
HNDS-36566-3L219	HNDVS-33769-1248	HTH70210188	HTH1619603188
HNDS-36566-3R219	HNDVS-33769-2248	HTH70211 HTH70212188	HTH1619703188
HNDS-38000223, 239,	HNDVS-3894121	HTH70601187	HTH1619903188
241	HT-106813	HTH71000188	HTH1619905188
HNDS-3876449	HT-120514	HTH71201188	HTH1629103188
HNDS-3876549	HT-121714	HTH71209188	HTH1629104188
HNDS-40231-1223	HT-121914	HTH71210188	HTH1629301188
HNDS-40881-L39	HT-123514	HTH71211188	HTH1629302188
HNDS-40881-R39	HT-124214	HTH71212188	HTH1629701188
HNDS-41186-1219,	HT-124914	HTH71500185, 187	HTH1630301185
221, 223	HT-125414	HTH72200185, 187	HTH1631901188
HNDS-41281-147	HT-129414	HTH75600185, 187	HTH1631902185, 188
HNDS-41533-149	HT-800114	HTH162901188	HTH1631904188
HNDSA-1100-30221	HT-800715	HTH168601185	HTH1631907188
HNDSA-6900-2221, 223	HT-805215	HTH704009188	HTH1631908188
HNDSA-6900-5227	HT-950015	HTH704011188	HTH1631951188
HNDSA-7000-1227	HT-950815	HTH704013188	HTH1631952188
HNDSA-7000-3227	HT-953415	HTH704015188	HTH1631957188
HNDSA-9000-5221	HT-955315	HTH770101188	HTH1631958188
HNDUBL-001225	HT-959815	HTH770105188	HTH1635301185, 187
HNDUBL-002225	HT-1210014	HTH770106188	HTH1639804185, 187
HNDVBS-22721, 213	HT-9515515	HTH770107188	HTH1648101188
HNDVBS-22821	HT-9523915	HTH770108188	HTH1648301188
HNDVBS-2253522	HT-9535415	HTH770301188	HTH1735001185
HNDVBS-23460213	HTH37-03185, 187	HTH770305188	HTH1778401185, 187
HNDVBS-2522322	HTH97M-FL189	HTH770306188	HTH1806401183, 191
HNDVBS-2522422	HTH97M-ST189	HTH770307188	HTH1872301185, 187
HNDVBS-2711621	HTH97M-UM189	HTH770308188	HTH1881801TC183

Index

Index

ROAD EQUIPMENT PARTS CENTER



HTH1922401 183, 191	HTH2902401 183	JSTA431L.G3.V01 138	JSTSK75020-05 84
HTH1936001 188	HTH2902402 183	JSTA431R.G3.V01 138	JSTSK79002-00 83
HTH1936002 188	HTH2908301 191	JSTA441L.G3.V01 138	JSTSK79002-01 84
HTH1936003 188	HTH2908303 191	JSTA441R.G3.V01 138	JSTSK79002-01 85
HTH1936004 188	HTH2909001 191	JSTA451L.G3.V01 138	JSTSK79003-00 84
HTH1936005 188	HTH2909003 191	JSTA451R.G3.V01 138	JSTSK79009-27 84
HTH1936006 188	HTH2956001 183	JSTAD500.E.25 142	JSTSK79011-03 84
HTH1936007 188	HTH2956002 183	JSTB10261 132	JSTSK5007406 84
HTH1936008 188	HYU2300-DA023-X07 258	JSTB10285 136	K149714SC 52
HTH1936009 188	HYU2300-DA034-X01 258	JSTC10108 133	KIN1020 66
HTH1936401 188	HYU2300LAA010X01 258	JSTC10591.2 132	KIN1820 66
HTH1936402 188	HYU2300RAA010X01 258	JSTC10591.3 132	KIN1845 69
HTH1936403 188	HYU10029642 150	JSTC10591.5 132	KIN3606 66
HTH1936404 188	J4890 133	JSTC10592.2 132	KIN3820 66
HTH1936405 188	JK300 174	JSTC10592.4 132	KIN4630D3 67
HTH1936406 188	JK500 174	JSTC10592.5 132	KIN5820 66
HTH1936407 188	JST37USA 83	JSTC10717P42 133	KIN10035HD 66
HTH1936408 188	JST37USL 83	JSTC11188 133	KIN10036 66
HTH1936409 188	JST37UWL 83	JSTDK90-12 93	KIN10036MD 66
HTH1936501 188	JST37YSA-YM10X 83	JSTDK90-16.36.01 93	KIN10052 69
HTH1936502 188	JST37010-PM8X 83	JSTDK90.16.39.00 93	KIN10053 69
HTH1936503 188	JSTA400.G3.17 139	JSTDK90-163900D 93	KIN10062 69
HTH1936504 188	JSTA400.G3.19 139	JSTK405R.DD.14 142	KIN10085 69
HTH1936505 188	JSTA400.G.19 139	JSTL300.T1.17 139	KIN10088 69
HTH1936506 188	JSTA400L.G3.17 139	JSTL300.T.17 139	KIN80168-11 69
HTH1936507 188	JSTA400L.G3.19 139	JSTSK847 84, 85	KIN323021 67
HTH1936508 188	JSTA400L.G.19 139	JSTSK1489LZ 84, 85	KIN422721 67
HTH1936509 188	JSTA400L.T.17 139	JSTSK1489Z 84, 85	KIN423021 67
HTH1946801 191	JSTA400L.T.17.02 139	JSTSK2106-69 84, 85	KIN512720 68
HTH2028901 183, 191	JSTA400L.T18.17 139	JSTSK2106-70 84	KIN512784 68
HTH2072801 185, 188	JSTA400L.T18.19 139	JSTSK2905-94 84	KIN513020 68
HTH2072901 188	JSTA400L.T.19 139	JSTSK3105-20 84	KIN559940 68
HTH2073001 188	JSTA400R.G3.17 139	JSTSK3105-92 84, 85	KIN562723 68
HTH2073201 188	JSTA400R.G3.19 139	JSTSK3105-93 84, 85	KIN641201 68
HTH2073301 188	JSTA400R.G.19 139	JSTSK3105-95 84	KIN641601 68
HTH2073401 188	JSTA400R.T.17 139	JSTSK3105-140 84	KIN642001 68
HTH2221501 188	JSTA400R.T.17.02 139	JSTSK3106-003 83	KIN642015 68
HTH2221502 188	JSTA400R.T18.17 139	JSTSK3108-02 84	KIN651201 68
HTH2221503 188	JSTA400R.T18.19 139	JSTSK3205-06 84	KIN651601 68
HTH2221504 188	JSTA400R.T.19 139	JSTSK7020-15 84	KIN711281PK 68
HTH2222601 188	JSTA400.T.17 139	JSTSK70202-15 84	KIN761587PK 68
HTH2222602 188	JSTA400.T.19 139	JSTSK70301-00 84	KINF8000-12 69
HTH2222603 188	JSTA401.G3.17 138	JSTSK70993-00 84	KINF8066-3 69
HTH2222604 188	JSTA401.G3.19 138	JSTSK71513 84	KINJB101 69
HTH2332407 183, 185, 187, 191	JSTA401.G.17 138	JSTSK72106-67 84, 85	KINJB101XL 69
HTH2557601 183	JSTA401L.G3.17 138	JSTSK73014-47 84	KIT-RX-67NTL 82
HTH2557602 183	JSTA401L.G3.19 138	JSTSK73015-15 84	KVT-4592AGIL 60
HTH2558901 183	JSTA401L.G.17 138	JSTSK73121-28B 84	L30SA 120
HTH2738401 183	JSTA401L.T1.17 138	JSTSK73121-55 84, 85	L35AA 120
HTH2770601 185	JSTA401L.T.17 138	JSTSK73205-07 84	L35SA 120
HTH2817201 183	JSTA401R.G3.17 138	JSTSK73221-01 84	L40AA 120
HTH2841103SCBLK 183	JSTA401R.G3.19 138	JSTSK73221-50Z 85	L40SA 120
HTH2869201 183	JSTA401R.G.17 138	JSTSK75013-00 84	L50AA 120
HTH2869601 185	JSTA401R.T.17 138	JSTSK75013-40 84	L50SA 120
HTH2869901 185, 187	JSTA401R.T.17 138	JSTSK75014-01 84	L10001 77
HTH2876201 185	JSTA401.T.17 138	JSTSK75016-04 84	L10002 77
	JSTA401.T.17 138	JSTSK75020-01 84	L10043 77



L10088 77	M3-4661FC 60	MER3109200 251	MOR13502 265
L10130 77	M3-4692FC 60	MER3110300 251	MOR00015904 269
L10131 77	M3-4692HXS 60	MER3131421 252	MOR00033901 269
L10279 77	M3-4700 60	MER3131700 252	MOR0190340 271
LAYTRAS961 8	M3-4702QP 60	MER3131703 252	MOR6266420 257
LB2000R 113	M3-4707QP 60	MER3131704 252	MOR6266520 257
LB2500R 113	M3-4709 60	MER3131704S 252	MOR006720056 257
LBL2000R 113	M3-4709-2 60	MER3136300 253	MOR006720057 257
LBL2500R 113	M3-4710QP 60	MER3136300CP 253	MORA0000119 266
LDR-38-10 66	M3-4711QP 60	MER3137300 253	MWB31DC-800 118
LED0700A-BLT 112	M3-4715QP 60	MER3137300CP 253	MWB65-84 118
LED0700R-BLT 112	M3-4719-2 60	MER310920085 251	MYS1412052 77
LED2000-4A 112	M3-4720QP 60	MERA2258F1410 229,	MYS1412060 77
LED2000-10A 112	M3-4725-2 60	231	MZR10001944 178
LED2000-10R 112	M3-4726-2 60	MERA7420E1045 229	MZR10001992 178
LED2238-7R 111	M3-PQ4591 60	MERA13133P9688 229,	NL24X24X48 262
LED2238-10A 111	M3-PQ4661 60	231	NL060X102X250 270
LED2238-10C 111	M3-PQ4700 60	MEREX225K0271V01 53	NL075X102.5X54 270
LED2238-10R 111	M8-1308E 60	MEREX225-L201V01 53	NL075X102MC 270
LED2238-24A 111	M8-1308Q 60	MEREX225L-202V01 53	NL075X102X29 270
LED2238-24C 111	M8-1443 60	MEREX225L-252V01 53	NL075X102X54 270
LED2238-24R 111	M8-4311 60	MERGAFF18455 176	NL075X102X500GS 270
LED2500-4R 112	M8-4515FQ 60	MERH196522 252	NL090X4X9 262
LED2500-13A 112	M8-4515TQ 60	MERH197522 252	NL090X48X53 262
LED2500-13R 112	M8-4591 60	MERH220002 252	NL090X96X53 262
LED4000-10R 111	M8-4692FC 60	MERKEG4707QP 62	NL090X101X53 262
LED4000-24C 111	M8-4692HXS 60	MERKIT2252H2CG 47	NL1417 38
LED4000-24R 111	M8-4702QP 60	MERKIT2252L2CG 47	NL1970 38
LED4000-1R2 111	M8-4707QP 60	MERKIT8000HD 62	NL1971 38
LEDM4065-18A 114	M8-4709-2 60	MERKIT8078A 38	NL3001 93
LEDM4065-18R 114	M8-4710QP 60	MERKIT8091 38	NL4400 38
LEDW1030-3CA 114	M8-4711QP 60	MERKIT11102 229	NLBF520-4515FQ 60
LEDW1030-3CB 114	M8-4715QP 60	MERKIT11300 229	NLBF520-4515TQ 60
LEDW1030-3CR 114	M8-4719-2 60	MERKIT11305 229, 231	NLBF520-4707QP 60, 62
LEDW1030-3CW 114	M8-4720QP 60	MERKIT11309 229	NLBF520-4709-2 62
LEDW1035-4CA 114	M8-4725-2 60	MERKIT11320 229	NLBF523-1443 60
LEDW1035-4CR 114	M8-4726-2 60	MERKIT11331 229, 231	NLBF523-4515TQ 60
LEDW1035-4CW 114	M8-PQ4591 60	MERM85919 229, 231	NLBF523-4707QP 60, 62
LEDW2238-24A 114	M715 75	MERM306512 229	NLBF523-4707QP 60
LEDW2238-24R 114	M39308 121	MERM306513 229	NLBF523-4515FQ 60
LIFTPAD-60 267	M39433 121	MERM306534 229	NLBF523-4515TQ 60
LIFTPAD-120 267	M39434 121	MERM312508 229, 231	NLBF523-4704QP 60
LIQ0288 76	M110602 121	MERMKT4709ES2B 62	NLBF523-4707QP 62
LIQ0847 76	M110613 121	MERPSMA2124515Q 62	NLBF523-4709-2 60
LLP1225-2C 112	M421052 121	MERR803110 40	NLBM3-1308E 60
LLP1225C-2 112	MA2124707QPKNP 62	MERR803112 40	NLBM3-1308Q 60
LLP3000-2C 112	MER0123 279	MERR810019 40	NLBM3-4311 60
LR2238-9A 113	MER0136 280	MK22153S 40	NLBM3-4515FQ 60
LT JSK37-03 84	MER0143 279	MERMKT4515QHDB 62	NLBM3-4515TQ 60, 62
M3-1308 60	MER0173 280	ML5029-B 146	NLBM3-4692FC 60
M3-1308E 60	MER2210D6868 38	MLBM5-1369 48	NLBM3-4702QP 60
M3-1308Q 60	MER2210E6869 38	MLBM5-1777 48	NLBM3-4707QP 60, 62
M3-1443 60	MER2255D1408 229, 231	MLBM5-29319 48	NLBM3-4709 60
M3-4311 60	MER2257P1264 229, 231	MLBM9-1369SD 48	NLBM3-4709-2 60, 62
M3-4515FQ 60	MER3299A5981 39	MLBM9-1777SD 48	NLBM3-4710QP 60
M3-4515TQ 60	MER3108301 251	MOR00165 264	NLBM3-4711QP 60, 62
M3-4591 60	MER3108328 251	MOR000785 268	NLBM3-4715QP 60

Index

Index

ROAD EQUIPMENT PARTS CENTER



NLBM3-4719-2F60	NSM8-PQ459160	PHP12-23612	PHP30-492197
NLBM3-4720QP60	OAK1.25X13X624261	PHP12-82030	PHP31-205397
NLBM3-4726-260	OAK1.25X312261	PHP12-450612	PHP31-207397
NLBM8-4515FQ60	OAK1.25X624261	PHP12-450812	PHP31-932397
NLBM8-4515TQ60, 62	OAK1.125X312261	PHP12-9004430	PHP31-962397
NLBM8-4692FC60	OAK1.125X624261	PHP12-9008830	PHP31-992397
NLBM8-4702QP60	OAK1.375X13X624261	PHP12-9106630	PHP53-115100
NLBM8-4707QP60, 62	OAK1.375X312261	PHP12-9108830	PHP53-120100
NLBM8-4709-260, 62	OAK1.375X624261	PHP12-9306430	PHP53-130100
NLBM8-4710QP60	OAK.75X96262	PHP12-9306630	PNR560172
NLBM8-4711QP60, 62	OAK.75X624262	PHP12-9308630	POW1026-1272
NLBM8-4720QP60	OPSA45PB101	PHP12-9404430	POW8026-1272
NLBM8-4725-2F60	OPSA45PMB101	PHP12-9406830	PRE1000011692
NLBM8-4726-260	OPSA46PB101	PHP12-9408630	PRE1000026292
NLBM8-PQ459160	OPSA47PB101	PHP12-9502230	PRE1000094193
NLBM-144360	P811278	PHP12-9505530	PRE1000094493
NSF523-4515FQ60	P108640A148	PHP12-9644430	PRE1000469692
NSF523-4515TQ60	P108940A148	PHP12-9688830	RDW1002N09611G193
NSF523-4704QP60	P1169061A149	PHP12-9804430	RDW1002N09614G193
NSFC20-144360	PB1676	PHP12-9806430	REBX685-4707QP62
NSFC20-4515FQ60	PHP1-226698	PHP12-9906630	REBX6008-4704QP62
NSFC23-4515FQ60	PHP1-226798	PHP12-95101030	REBXFC20-4707QP62
NSFC23-4715QP60	PHP1-226898	PHP15-32099	REBXFC23-4707QP62
NSKVT-4592AGILN60	PHP1-226998	PHP15-32899	REBXM3-4707QP62
NSKVT-4592AXXGILN60	PHP2-40296	PHP15-33599	REBXM8-4707QP62
NSM3-1308E60	PHP2-402-100096	PHP15-33999	REVRD-0001284
NSM3-144360	PHP3-32796	PHP15-40099	S125-6-824
NSM3-4515FQ60	PHP3-32996	PHP15-41099	S125-8-824
NSM3-4515TQ60	PHP8-1260118	PHP15-43099	S125-10-824
NSM3-4661FC60	PHP8-1261118	PHP15-60099	S125-10-1224
NSM3-4692FC60	PHP8-1360118	PHP15-61099	S125-12-824
NSM3-4692HXS60	PHP8-1361118	PHP15-63099	S2255U111319
NSM3-4702QP60	PHP8-1460118	PHP15-72099	S894607312017
NSM3-4704QP60	PHP8-1461118	PHP15-73099	SAF112003132
NSM3-4709-260	PHP8-2121118	PHP15-760100	SAF741805132
NSM3-4711QP60	PHP8-2122118	PHP15-762100	SAF742119132
NSM3-4719-260	PHP8-2133118	PHP15-763100	SAF48100695201
NSM3-4720QP60	PHP8-2153118	PHP15-96198	SAF50544015201, 203
NSM3-4725-260	PHP8-2163118	PHP16-72499	SAF5183003650
NSM3-4726-260	PHP8-2165118	PHP16-72699	SAF5183004950
NSM3-PQ459160	PHP8-2173118	PHP16-775100	SAF5183005254
NSM3-PQ466160	PHP8-2183118	PHP16-802174	SAF5183005354
NSM3-PQ470060	PHP8-2185118	PHP16-7602-28100	SAF90015150201, 203, 205, 209
NSM8-4515FQ60	PHP8-2223118	PHP17-14834	SAF90026227201, 203
NSM8-4515TQ60	PHP8-2243118	PHP17-15334	SAF90027002203
NSM8-459160	PHP8-2283118	PHP17-15734	SAF90045040242
NSM8-4692FC60	PHP8-2763118	PHP19-471297	SAF90521742201
NSM8-4702QP60	PHP8-2980118	PHP19-471597	SAF90521743201
NSM8-4707QP60	PHP8-6421118	PHP19-671097	SAF90548040201, 203
NSM8-4709-260	PHP11-34013	PHP19-671297	SAF90549628203
NSM8-4710QP60	PHP11-340013	PHP23-225197	SAF90549629203
NSM8-4711QP60	PHP11-540013	PHP23-262697	SAF90549630203
NSM8-4715QP60	PHP11-540113	PHP23-262897	SAF90550420203
NSM8-4719-260	PHP11-540213	PHP23-263097	SAF90560012203
NSM8-4720QP60	PHP12-00612	PHP30-205197	SAF90618226203
NSM8-4725-260	PHP12-00812	PHP30-207197	SAF93800329201, 203
NSM8-4726-260	PHP12-01012	PHP30-462197	



SAF506180000132	SAFLGD700213072142	SAFSL0854-20201, 203, 205, 207, 209, 211	89
SAF0305700060347	SAFLGS-3A001K141	SAFSP0048-PTD..205, 207, 209	SAFXA-07766-1-P89
SAFDXH81D-H8207	SAFLGS-3A001S141	SAFSP0055-01211	SAFXA-08125-L89
SAFEE-1197191	SAFLGS-3A105K141	SAFSP0055-02211	SAFXA-08125-R89
SAFEE-12015-1L90	SAFLGS-3A105S141	SAFSP0099205, 207, 209, 211	SAFXA-08331-1-P87
SAFEE-1214390	SAFLGS-4A001K141	SAFSP0100205, 209	SAFXA-08332-1-P88
SAFEE-12144-0390	SAFLGS-4A001S141	SAFSP0110205	SAFXA-08988-P88
SAFEE-121440090	SAFLGS-4A105K141	SAFSP0120205, 209	SAFXA-09040-ST88
SAFLG0048-01133	SAFLGS-4A105S141	SAFSP0123205, 207, 209, 211	SAFXA-09041-P88
SAFLG0083-01132	SAFLGS-5A001K142	SAFSP0142-01205, 207, 209, 211	SAFXA-0996287, 90
SAFLG0094-6150134	SAFLGS-5A001S142	SAFSP0142-02205, 207, 209, 211	SAFXA-0996387, 90
SAFLG0094-6450134	SAFLGS-5A105K141	SAFSP0142-03205, 207, 209, 211	SAFXA-10364-3-AL-P86
SAFLG0094-8050134	SAFLGS-5A105S141	SAFSP0143205, 207, 209, 211	SAFXA-10485-186
SAFLG400B-70K140	SAFP0100207	SAFSP0149-04205, 207, 209, 211	SAFXA-10486-LL-P86
SAFLG400B-70S140	SAFP0110207	SAFSP0149-05205, 207, 209, 211	SAFXA-10487-P86
SAFLG400B-71140	SAFP0120207	SAFSP0156-01211	SAFXA-10487-P86
SAFLG400B-72140	SAFRK-17-A-L-H86	SAFSP0156-02211	SAFXA-10711-190
SAFLG400B-505S140	SAFRK-171-1231091	SAFSP0168211	SAFXA-10810-P87
SAFLG400B-515140	SAFRK-331-189	SAFSP0178205, 207, 209, 211	SAFXA-1147989
SAFLG400B-525140	SAFRK351-0350588	SAFSP0178205, 207, 209, 211	SAFXA-11627-L89
SAFLG400B-705K140	SAFRK351-03505-388	SAFSP0294209	SAFXA-11627-R89
SAFLG400B-705S140	SAFRK-351-0996790	SAFXA-171-A-L-P85	SAFXA-11628-P89
SAFLG400B-715140	SAFRK-351-A-28-L87	SAFXA-171-A-L-P85	SAFXA-1171389
SAFLG400B-725140	SAFRK-351-A-80L89	SAFXA-026888	SAFXA-11964-P91
SAFLG419B715SHH140	SAFRK-351-A-L86	SAFXA-351-A-L-P85	SAFXA-11966-L-P91
SAFLG419B725SHH140	SAFRK-351-TT87	SAFXA351-TT-1-P85	SAFXA-11966-R-P91
SAFLG650B-70K141	SAFRK-1060590	SAFXA351-TT-2-P85	SAFXA-11967-L-P91
SAFLG650B-70S141	SAFRK-10689-390	SAFXA-1029-P86, 87, 88, 89	SAFXA-11968-AIR-P91
SAFLG650B-71141	SAFRK-1197191	SAFXA-1507-1-P86, 87, 88, 89	SAFXA-11968-P91
SAFLG650B-72141	SAFRK-1205891	SAFXA-1705-P89	SAFXA-1198491
SAFLG4001-70K140	SAFRK-1211790	SAFXA-1706-1-ST88	SAFXA-11992-L-P86, 87, 89
SAFLG4001-70S140	SAFRK-1213191	SAFXA-1706-ST86, 87, 89	SAFXA-11992-P88
SAFLG4001-71140	SAFRK-NT-ILS-S89	SAFXA-1934-189	SAFXA-12036-A87
SAFLG4001-72140	SAFRK-T-55192	SAFXA-2524-R-13-188	SAFXA-12037-P91
SAFLG4001-90K140	SAFSL0A523-07201	SAFXA-0342388	SAFXA-12038-ST87
SAFLG4001-90S140	SAFSL0A1203-13201, 203, 205, 207, 209, 211	SAFXA-3542-T-P87	SAFXA-12039-P87
SAFLG4001-91140	SAFSL0A1230201, 203, 205, 209	SAFXA-06344-AL86	SAFXA-12044-P87
SAFLG4001-92140	SAFSL0A1238201, 203, 205, 209	SAFXA-07150-L-P86, 87	SAFXA-12046-P87
SAFLG4003-70K140	SAFSL0A1261201, 203, 205, 209	SAFXA-354688	SAFXA-1205787
SAFLG4003-71140	SAFSL0A1269-01205, 209	SAFXA-07151-1-P86	SAFXA-12284-P86
SAFLG4003-72140	SAFSL0A1269-02205, 209	SAFXA-07292-1-P86, 87, 88, 89	SAFXA-12286-P86
SAFLG4700-32400142	SAFSL0A1274201, 203, 205, 209	SAFXA-07295-P86, 87, 88	SAFXA-12293-P91
SAFLG6501-70K141	SAFSL0A1277-01201, 203, 205, 209	SAFXA-07296-P86, 87, 88	SAFXA-12313-P86
SAFLG6501-70S141	SAFSL0A1417-48203		SAFXA-AL-A-L-P85
SAFLG6501-71141	SAFSL0A1445-01201, 203, 205, 209		SAFXA-S8-3A001141
SAFLG6501-72141	SAFSL0A1445-02201, 203, 205, 209		SAFXA-S8-3A105141
SAFLG6501-90K141	SAFSL0A1550203		SAFXA-S8-4A001141
SAFLG6501-90S141	SAFSL0041-01211		SAFXA-S8-4A105141
SAFLG6501-91141	SAFSL0523-07203, 205, 209		SAFXA-S8-5A001142
SAFLG6501-92141			SAFXA-S8-5A105141
SAFLG6503-70K141			SAFXA-S9-3A001141
SAFLG6503-70S141			SAFXA-S9-3A105141
SAFLG6503-71141			SAFXA-S9-4A001141
SAFLG6503-72141			SAFXA-S9-4A105141
SAFLG8700313072142			SAFXA-S9-5A001142
SAFLGD700212072142			SAFXA-S9-5A105141
			SAFXA-V-90-0132

Index

Index

ROAD EQUIPMENT PARTS CENTER



SAFAXA-V-90-0132	SAFAXB-1204388, 91	SAFAXB-SPG-02035201,	SS7820-11433
SAFAXA-V-90-10132	SAFAXB-1204987	203	STR63901258
SAFAXA-V-90-12132	SAFAXB-1228886	SAFAXB-SPG-03025205	SUP04A03269-01265
SAFAXB-001191	SAFAXB-1228986	SAFAXB-T-49...86, 87, 89, 90	SUP116404257
SAFAXB-21-S-375-1750ST.....88	SAFAXB-1231191	SAFAXB-T-69-A...86, 87, 88,	SUP0661035263
SAFAXB-21-S-500-2750P.....86, 87, 88, 89	SAFAXB-7600487	89, 90	SUP01110516-06263
SAFAXB-46087	SAFAXB-C-9586, 87, 89,	SAFAXB-T-89-588	SUP01201147-07266
SAFAXB-69888	90	SAFAXB-TLN-250691	SUP04400049257
SAFAXB-103088	SAFAXB-CX-58-F-13486,	SAFAXD-527593	SUP04400050257
SAFAXB-112786, 87, 89	87, 89	SAFAXD-531593	SUP07200142-03272
SAFAXB-1505-P...86, 87, 88,	SAFAXB-H-3886, 87, 89	SAFAXD-10689-3L90	SUP07200142-04272
89	SAFAXB-HCS-M10-18-Z...86,	SAFAXD-10689-3R90	SUP07200143-04272
SAFAXB-208386, 87, 88,	91	SAFAXD-12026-P87	SUP0027928045265
89, 90	SAFAXB-HCS-M12-40-Z...87,	SAFAXD-12028-P87	SUP002076570012269
SAFAXB-2149-P86, 87,	89	SAFAXD-12335-P86	SUPAR02310067
88, 89	SAFAXB-HCS-M12-55-ZP .87	SAFAXE-06356-P90	SUPEC783900269
SAFAXB-0231286, 87, 89	SAFAXB-HCS-M16-60-Z...89,	SAFXG-10706-P86	SUPEC790960271
SAFAXB-02724-186	90	SAFZF102-0-2H63211	SUPED673294268
SAFAXB-02747-M86	SAFAXB-HLN-M12-Z87	SBH6609-11733	T1704197, 199
SAFAXB-0296786, 87,	SAFAXB-HNH-34-F ...86, 87,	SBH6609-12933	T1705197, 199
88, 89	89	SE1040A113	T1724199
SAFAXB-0585586	SAFAXB-LG0089132	SE1040R113	T1734197
SAFAXB-05855-186	SAFAXB-LW-M12-Z89	SE2000R113	T2106197, 199
SAFAXB-05859-186, 87,	SAFAXB-LW-M16-Z89, 90	SET4T278	T2224197, 199
89	SAFAXB-PW-016-08201,	SET17T278	T5424199
SAFAXB-0618087	203, 205, 209, 211	SET401278	T5425199
SAFAXB-0633689	SAFAXB-PW-016-85201,	SET401T278	T5426199
SAFAXB-07291-P86, 87,	203, 205, 209	SET403278	T5428199
88, 89, 90	SAFAXB-PW-1316-112...86,	SET403T278	T5429199
SAFAXB-0739886, 87, 88,	87, 89	SET406278	T5492197, 199
89	SAFAXB-PW-1731-1-116...88	SET406T278	T5493197, 199
SAFAXB-0743186, 87, 88	SAFAXB-PW-1732-1-116...86,	SET413278	T5495197, 199
SAFAXB-0750886, 87, 89,	87, 88, 89, 90	SET413T278	T5524199
90	SAFAXB-PW-M12-C87	SET414278	T5544197, 199
SAFAXB-07628-P86, 87,	SAFAXB-SL0A1054201,	SET414T278	T5727197
88, 89	203, 205, 209	SET415278	T7654197
SAFAXB-07974-P89	SAFAXB-SL0312-01211	SET415T278	T7655197
SAFAXB-0855986, 87, 88,	SAFAXB-SLN-01204203	SFTAVM104175	T7716197
89	SAFAXB-SP0011-44205,	SH177	TAP6275100678
SAFAXB-0890586	207, 209, 211	SH577	TB027307U8N001D274
SAFAXB-0893189	SAFAXB-SP0012-10205,	SLTPL600082	TCT7DDB522MW97
SAFAXB-1003588	207, 209, 211	SLTPL700082	TCT7DTB522MW97
SAFAXB-10087-P87	SAFAXB-SP0012-36205,	SP5-103X129	TCT670-2299
SAFAXB-10088-P87	207, 209, 211	SP5-153X129	TCT670-DDSG99
SAFAXB-1024987	SAFAXB-SP0012-37205,	SP5-170X129	T-FLEX8
SAFAXB-1029486	207, 209	SP5-280X129	TG-611174154, 157, 166
SAFAXB-1048986	SAFAXB-SP0016-67205,	SP5-281X129	TG-611175XHD154, 166
SAFAXB-1049086	207, 209, 211	SP5-407X129	TG-69035154, 157
SAFAXB-1056386	SAFAXB-SP0050-01211	SP5-675X129	TK18997199
SAFAXB-1060590	SAFAXB-SP0050-71205,	SP5-676X129	TOD51044169, 171
SAFAXB-1061486	207, 209, 211	SP5-677X129	TOD89049169, 171
SAFAXB-11157-189	SAFAXB-SP0050-73205,	SPL170-4X129	TOPKIT-WHITE8
SAFAXB-1187386	207, 209	SPL250-3X129	TRA-021243
SAFAXB-1197090, 91	SAFAXB-SP0050-75205,	SPS012902800000258	TRA038243
SAFAXB-1202787	207, 209, 211	SPS012947200000258	TRA2270243
	SAFAXB-SP0145205, 207,	SS7420-11433	TRA2291243
	209, 211	SS7820-10833	TRA2726A243



TRA2727A243	TRL35740R105	VT10475120	WBB67518F61
TRA2728A243	TRL40202R103	VT10588120	WBB68730F61
TRA2740A243	TRL40242R103	W01-358-0783233, 239,	WBB77809BW61
TRA55616M27	TRL40260103	240	WBB96864B61
TRG15155, 159	TRL40282R103	W01-358-1191236, 240	WBB130246761
TRG77155, 159	TRL42722104	W01-358-7555233, 239,	WBB160240061
TRG90X90-HYBRID153	TRL44030R103	240	WBB160240161
TRG90X90-PPW153	TRL44032R103	W01-358-7897236, 240	WBB160240261
TRG90X90-WH-PPW153	TRL44101Y106	W01-358-8050233, 239,	WBB160240761
TRG98X100HYBRID153	TRL44102Y106	240	WBB160242961
TRG98X100-PPW153	TRL44206C103	W01-358-8091233, 239,	WBB160243061
TRG98X107HYBRID153	TRL44211Y106	240	WBB160243261
TRG98X107-PPW153	TRL44212Y106	W01-358-8204233, 239,	WBB160243461
TRG98X107-WHPPW153	TRL44213Y106	240	WBBBL440054
TRG98X107X.5HYB153	TRL44214Y106	W01-358-8708233, 239,	WBBBL4400-4052
TRG2523159	TRL44216Y106	240	WBBBL470054
TRG2524159	TRL44218Y106	W01-358-8709234, 239,	WBBBL4700-4155
TRG2525159	TRL44302R103	240	WBBBR440054
TRG2526159	TRL44322R103	W01-358-8713234, 239,	WBBBR4400-4052
TRG2996159	TRL44346C103	240	WBBBR470054
TRG3228155	TRL44350C103	W01-358-8729234, 239,	WBBBR4700-4155
TRG6944155, 159	TRL44990C103	240	WBC400500320018
TRG61196154, 157	TRL5040098	W01-358-8744238, 241	WBC400500420018
TRG61209-A155, 159	TRL5060098	W01-358-8755234, 240	WBC449306030018
TRG61371A155, 159	TRL60120Y106	W01-358-8774234, 240	WBC449351047018
TRG62547-A213154, 157	TRL60122Y106	W01-358-8864234, 240	WBC449733018018
TRG62548-A213154, 157	TRL60202R103	W01-358-9082235, 240	WBC449733030018
TRG69085147	TRL60215Y104	W01-358-9270235, 240	WCF003981-001149
TRG669571154, 157	TRL60250R103	W01-358-9307235, 240	WH2996155
TRL1050105	TRL60272Y104	W01-358-9580235, 240	WHT6163
TRL1050A105	TRL60275Y104	W01-358-9640235, 240	WHT10-1002-3163
TRL4050103	TRL60360Y106	W01-358-9780235, 240	WHT10-1002-9163
TRL4050A103	TRL60367Y106	W01-358-9781236, 240	WHT10-1002-11163
TRL6050103	TRL60420Y104	W01-358-9807236, 240	WHT10-1006-1163
TRL10202R105	TRL94718101	W01-358-9874236, 240	WHT10-1010-3163
TRL10250R105	TRL94862101	W01-358-9978236, 240	WHT10-1022-1163
TRL10744R105	TRL94902101	WAB01105099263	WHT10-1033-2163
TRL15040104	TRL94926101	WAB01109842263	WHT10-1063-1163
TRL15050R105	TRL94992101	WAB06100673-04263	WHT10-1068-1163
TRL15745R105	TRL97005101	WAB06300270150	WHT15159, 161, 163
TRL19200R105	TRL97960174	WAB06301614150	WHT18-3X96163
TRL19200Y105	TRP182400142	WAB06302201150	WHT61163
TRL26330104	TRP182800142	WAB218003258	WHT70-13163
TRL26331104	TRP190704142	WBB20231-3T283	WHT77159, 163
TRL26335104	TRP190754142	WBB20231-5T283	WHT77KIT161
TRL30200R105	TSE07135S40	WBB20271-3T80283	WHT83163
TRL30200Y105	UTL03-1103-0077134	WBB23431-3T283	WHT242-12X98164
TRL30276R105	UTL03-1103-0078134	WBB56864B61	WHT242-15X98164
TRL33010C104	UTL03-1103-0123134	WBB61528B61	WHT243-15X98164
TRL33050R105	UTL03-1103-0124134	WBB61991F61	WHT342-11.5X98164
TRL33050Y105	V71278	WBB62200F61	WHT342-11X98164
TRL33210C104	V1212W273	WBB63680F61	WHT342-12X98164
TRL33740R105	V1224W273	WBB65548B61	WHT342-15X98164
TRL35001Y105	VLV03221821	WBB66353F61	WHT343-11.5X98164
TRL35200R105	VLV32017821	WBB66854F61	WHT345-2-15X98164
TRL35200Y105	VT10388120	WBB66864B61	WHT345-3-11X98164
TRL35375Y105		WBB66893F61	WHT345-3-12X98164

Index

Index

Manufacturing Partners



3-Year Limited Brake Shoe Warranty

The FleetCraft thermo-finishing paint process offers superior bonding and protection for our brake shoes. Our process offers a long-lasting durable coating that ensures superior performance in all environments. Due to this superior process, FleetCraft offers a 3-year limited warranty on our brake shoes.

The limited brake shoe warranty covers 3 years from date of manufacture, provided proof of purchase is present with the return. The limited brake shoe warranty covers all brake shoe product manufactured at our facility using our thermo-finishing and riveting process.

The 3-year limited brake shoe warranty is non-transferable.

Warranty Coverage Details

This brake shoe warranty DOES NOT cover:

- Failure of a product due to a defect in the products design/application or where the plans were altered from original equipment.
- Any claims due to misuse, accident, abuse, neglect, normal wear, abnormal wear, or improper application.
- Claims where the friction pad is worn below the wear indicator (if applicable) or worn to the point where the rivets touch the drum surface.
- Claims where the product's failure is caused by lack of service or proper maintenance.
- Brakes that are worn out due to improper installation or failed installation of other brake products, causing excessive strain or use on the remaining wheels on the vehicle.
- Brakes contaminated with foreign minerals and materials, including grease from blown seal, cement, gravel, and other select foreign materials.
- Warrant-able items that are not returned to FleetCraft within 90 days of the initial warranty incident.

THIS LIMITED WARRANTY IS IN LIEU OF AND EXCLUDES ALL OTHER WARRANTIES, ARISING BY OPERATION OF LAW OR OTHERWISE, INCLUDING ANY IMPLIED WARRANTY OF MERCHANTABILITY OR FITNESS FOR A PARTICULAR PURPOSE, AND IN NO EVENT WILL FLEETCRAFT BE LIABLE FOR INDIRECT, SPECIAL, PROGRESSIVE, INCIDENTAL OR CONSEQUENTIAL DAMAGES OR ANY COST OUTSIDE THE LIMITATIONS INCLUDING, BUT NOT LIMITED TO, COSTS INCURRED FOR SERVICE CALLS, TOWING, OR DOWNTIME.

Warranty Submission Details

All brake warranties must be issued an RGA number prior to their return and be accompanied with a warranty tag stating the concern of the goods, customer name, and customer location.

All warranty returns are to be sent to the following address:

Warranty Return # _____
FleetCraft Brake Shop
425 Gordon Industrial Ct.
Byron Center, MI 49315



**ROAD EQUIPMENT PARTS CENTER TERMS
AND CONDITIONS OF SALE**

(Effective April 2022)

1. **Offer and Acceptance.**

(a) These ROAD EQUIPMENT Parts Center Terms and Conditions of Sale (these “*Terms and Conditions*”), together with the terms of any other document in which these Terms and Conditions are attached or are incorporated (collectively, this “*Agreement*”) apply to (i) any quotation, proposal, or offer to sell (“*Offer*”) made by Hinton Transportation Investments, Inc. d/b/a ROAD EQUIPMENT Parts Center (“*Seller*”) for the sale of Seller’s goods and/or services (collectively, the “*Goods*”); (ii) any purchase order or related attachments, schedules, exhibits, designs and drawings (collectively, an “*Order*”), issued by the buyer-party purchasing the Goods or that party’s subsidiaries and affiliates (collectively, “*Purchaser*”); and (iii) any written master purchaser or supply agreement executed by Seller and Purchaser for the sale of the Goods. Purchaser accepts, and will be deemed to be bound by, the terms of this Agreement upon the first to occur of the following: (A) Purchaser’s written acknowledgment of this Agreement in writing; (B) Purchaser placing an Order with Seller; (C) delivery of the Goods by Seller pursuant to any Order or similar type of request by Purchaser; (D) acceptance of the Goods by Purchaser; or (E) payment for the Goods by Purchaser.

(b) Purchaser’s acceptance is expressly limited to the terms of this Agreement and this Agreement exclusively governs the sale of Goods by Seller. Any reference in this Agreement to any request for quotation, request for proposal, or any other similar bid document made by Purchaser is solely for the purpose of incorporating the description and specifications of the Goods contained in such document, but only to the extent that such description and specifications do not conflict with the description and specifications contained in this Agreement or otherwise agreed to or accepted by Seller in writing. Any additional or different terms proposed by Purchaser, whether in Purchaser’s Order or otherwise (including, without limitation, Purchaser’s general terms and conditions of purchase), or any attempt by Purchaser to vary the terms of this Agreement in any way, are expressly rejected by Seller, are not part of this Agreement and do not apply to the sale of Goods, and are not binding on Seller without the express prior written acceptance of such terms by Seller’s authorized representative; *provided, however*, Seller will be deemed to accept those portions of an Order issued by Purchaser that contain terms and conditions that are same as the terms and conditions set forth in this Agreement. The parties have agreed and it is their intent that the “battle of the forms” described in Section 2-207 of the Uniform Commercial Code will not apply to this Agreement or to any Order or other purchasing document of Purchaser relating to this Agreement.

(c) None of the terms, provisions or conditions of this Agreement may be modified, altered or added to except by written instrument signed by a duly authorized representative of Seller and Purchaser. Any agreed upon change may be subject to an equitable adjustment in the purchase price and/or time for performance.

2. **Duration.** Unless otherwise agreed by Seller in writing, the term of this Agreement shall take effect immediately and will expire twelve (12) months thereafter (the “*Term*”). Notwithstanding the expiration or termination of this Agreement, Purchaser will be responsible for the payment of any finished Goods, work-in-progress, and all costs incurred or other materials made or committed for this Agreement as a result of an Order issued by Purchaser to Seller.

3. **Quantity.** Even if this Agreement does not require Seller to supply a specified quantity of Goods or an Order is designated as “blanket” or does not contain a specific quantity, this Agreement is not a requirements contract and Seller is only obligated to supply Purchaser the Goods in an amount not less than one (1) unit. Each Order must be separately accepted by Seller to be binding and Seller may accept such Order by agreeing to deliver the Goods in writing or delivering the Goods. Any variation in quantities shipped over or under the quantities ordered (not to exceed 10%) will constitute compliance with Purchaser’s Order; *provided, however*, the stated price will be equitably adjusted to account for any quantities under shipped.

4. **Price and Payment.**

(a) **Price.** Prices for the Goods will be as agreed by Seller and Purchaser in a signed writing or, if there is no writing signed by the Parties as to the price of the Goods, the price specified in the Offer. All Offers are open for acceptance by Purchaser for thirty (30) days from the date Seller issues the Offer to Purchaser. After thirty (30) days, prices and lead times set forth in the Offer are subject to change without notice and may be re-quoted. All Offers must be in writing and verbal Offers are not binding on Seller unless confirmed in a writing signed by Seller. Any prices shown in any other material of Seller (including catalogs, brochures, and websites) are subject to change without notice. Unless otherwise agreed by Seller in a signed writing, Seller’s prices do not include transportation, freight, handling, special handling, delivery and insurance costs or any all foreign or domestic federal, state, provincial and local taxes (including sales, use, value-added and excise taxes), assessments, tariffs, duties, and any similar fiscal contribution related to the sale, use, shipment, transportation, or delivery of the Goods, all of which shall be the sole responsibility of Purchaser and payable by Purchaser (whether directly or by reimbursement to Seller) in addition to Seller’s price.

(b) **Payment.** Purchaser will pay for Goods without setoff, recoupment, or deduction of any kind, in U.S. funds (or the currency agreed upon by Purchaser and Seller in a signed writing). Unless otherwise set forth in a writing signed by Seller, payment for the Goods will be due and payable within **thirty (30) days** following the earlier of (i) the date of Seller’s invoice or (ii) Purchaser’s receipt of the Goods. Purchaser will not be entitled to any discount for early payment. Notwithstanding the preceding sentence, and unless set forth in a signed writing by Seller, a down payment of thirty-five percent (35%) for payment due under an Order must be paid by Seller to Purchaser (and will be a condition precedent to acceptance of the Order) for (1) all Orders that Seller considers to be large as determined by Seller and communicated by Seller to Purchaser; (2) Purchaser’s first Order with Seller; and (3) any other Order that Seller, in its reasonable discretion, determines requires such down payment. If payment is not made as provided in this Agreement, Seller may, at its option and without notice: (A) suspend performance of its obligations under this Agreement, including, without limitation, delay or suspend shipments to Purchaser until such breach has been cured; (B) require payment in advance as to future deliveries or require security to ensure payment; (C) demand return from Purchaser of any Goods for which payment has not been made; or (D) cancel this Agreement. If Seller’s performance or shipment is delayed or suspended at the request of Purchaser, payment shall become due on the date when the Seller is prepared to make shipment and such payments shall be made based on the purchase price and the percentage of completion. All amounts due to Seller but not paid by Purchaser on the due date will bear interest on the unpaid balance of amounts due at a rate that is equal to one percent and one-half percent (1.5%) per month, or the maximum rate permitted by law, until paid. Purchaser agrees to indemnify and hold harmless Seller from any and all legal fees and costs that may be required to collect any overdue balances. If deliveries of Goods are to be made in installments, the purchase price of each installment shall, at Seller’s option, be recoverable as a separate sale. The remedies contained in this **Section 4** are cumulative and shall be in addition to any other remedies available to Seller under applicable law.

5. **Delivery; Import and Export; Risk of Loss.**

(a) Delivery dates are estimates only and Seller will use commercially reasonable efforts to deliver the Goods on dates requested by Purchaser. All delivery dates are subject to Seller’s lead times as communicated by Seller to Purchaser. Seller shall not be liable for any delay in delivery of any kind, regardless of cause or extent. All sales and delivery dates are contingent on the ability of Seller and its suppliers and manufacturers to secure any applicable raw materials and the absence of any event of Force Majeure (as defined below). Unless otherwise agreed in writing by Seller, **Seller will deliver the Goods EX WORKS (Incoterms 2020) to Purchaser’s carrier at the designated manufacturing facility. Title and risk of loss to the Goods will pass to Purchaser when the Goods are placed in the possession of Purchaser’s carrier; *provided, however*, Seller shall retain a purchase-money security interest in the Goods as security until payment in full is received. Seller assumes no liability for any loss or damage to Goods during shipment or transportation, whether from the manufacturing facility and regardless of whether Purchaser or Seller is responsible for the transportation of the Goods.** Purchaser must inspect shipments before shipment or during unloading to identify any such loss or damage. Any claims for lost or damaged Goods by Purchaser must be made to the applicable third-party carriers or freight forwarders, as applicable; *provided, however*, if Seller is responsible for the transportation then Seller will provide Purchaser commercially reasonable assistance in the submission of the claim. Seller may, at its option, deliver all Goods in one lot or several lots from time to time, as long as such delivery are within the time frame set forth in the Order or this Agreement, as the case may be. To the extent delivery is in several lots, Purchaser agrees that the prices for the Goods can be apportioned and can be demanded for in each lot.

(b) Unless agreed in writing by Seller, Purchaser or its designated agent: (i) will be the importer and exporter of record on all cross-border transfers, returns, and others shipments of Goods, (ii) will not list Seller on any import, export, or other customs documentation, and (iii) will be directly responsible for ensuring that such cross-border transfers and shipments of the Goods comply with all export, import and other applicable laws (including export licensing, shippers export declaration, and export invoice). As the importer and exporter of record, Purchaser or its designated agent will be responsible for payment of any taxes, duties or fees, and will be responsible for all required recordkeeping, registration, reporting and licensing. Seller will incur no liability arising from any assistance Seller provides in preparing any documentation or otherwise.

(c) Title and risk of loss to the Goods will pass to Purchaser when the Goods are placed in the possession of Purchaser's carrier; provided, however, Seller shall retain a purchase-money security interest in the Goods as security until payment in full is received. Seller assumes no liability for any loss or damage to Goods during shipment or transportation, whether from the manufacturing facility and regardless of whether Purchaser or Seller is responsible for the transportation of the Goods. Purchaser must inspect shipments before shipment or during unloading to identify any such loss or damage. Any claims for lost or damaged Goods by Purchaser must be made to the applicable third-party carriers or freight forwarders, as applicable; provided, however, if Seller is responsible for the transportation then Seller will provide Purchaser commercially reasonable assistance in the submission of the claim. Seller shall not be responsible for the accuracy of shipping weights, if any, listed on any transportation documents. Such weights are given only for the purpose of enabling Purchaser to estimate transportation cost.

6. **Force Majeure.** Seller will not be held liable, or deemed in default, for any failure or delay in fulfilling or performing any of its obligations under this Agreement if such failure or delay is caused by, or results from, acts beyond Seller's reasonable control, whether or not foreseeable, including, without limitation, fire, flood, drought, acts of nature, war, hostilities, terrorist threats or acts, riot or other civil unrest, strikes, lockouts, slowdowns or other labor unrest, delays in transportation, shortage of power, unavailability of raw materials, increased costs in raw materials or related components (including any increase in costs by governmental action that were not in place at the commencement of this Agreement), embargo, government action (including any law, rule, order or action of any court or instrumentality of the federal or of any state government or Seller's good faith compliance with any governmental directive concerning the health and safety of Seller's personnel)), earthquake, explosion, emergency (whether national, regional, state, or local), pandemic, epidemic, plague, disease, virus, other outbreak, quarantine or travel restrictions (collectively, the "**Force Majeure**"). A Force Majeure being experienced by Seller's subcontractors or third party manufacturers (or any other party in Seller's supply chain) will be deemed a Force Majeure being experienced by Seller. During the period of Force Majeure, at Seller's option, either (i) the date of delivery shall be extended for a period equal to the time lost due to any Force Majeure, or (ii) any quantity of Goods affected by a Force Majeure shall be deducted from the total quantity required to be sold to Purchaser. Seller, during any period of shortage due to a Force Majeure, may allocate its available supply of Goods among itself and its customers on whatever basis it deems desirable and Purchaser agrees that Seller is not required to mitigate any impact of the Force Majeure.

7. **Acceptance and Return of Goods.** Purchaser will inspect the Goods immediately upon receipt. Unless Purchaser provides Seller with written notice stating with specificity any defects, nonconformities, or shortage relating to the Goods within the **forty-eight (48) hours** following Purchaser's receipt of the Goods, such Goods will be deemed fully and finally inspected, checked and accepted by Purchaser, and any such claims for defects, nonconformities, or shortages will be waived by Purchaser. Upon acceptance of Goods, Purchaser waives any right to revoke such acceptance for any reason, whether known or unknown to Purchaser at the time of acceptance. Seller has a reasonable period of time to cure any nonconformity. **Goods may not be returned without Seller's prior written return authorization and, once authorized, Purchaser may return the Goods Delivery Duty Paid (Incoterms 2020) to the destination determined by Seller and in accordance with instructions issued by Seller, including provision of the packing list and corresponding Seller invoice.** Failure to follow Seller's return procedures may result in lost Goods, delays, additional service, restocking charges, warranty denial, or refusal of a shipment. Seller has the right to reject Goods returned without Seller's approval.

8. **Cancellation and Changes.** Purchaser may not cancel Orders, change the timing of scheduled shipments, or direct temporary suspension of scheduled shipments without Seller's prior written consent. Cancellations of Orders or rescheduling of shipments shall be subject to cancellation charges which will include (i) payment of any finished Goods, work-in-progress, and all other materials made, purchased by Seller, or otherwise committed for the Order; (ii) any liability, damages, or claims incurred by Seller arising from such cancellation; and (iii) the gross profit on the cancelled portion of the Orders, which amount will not equal less than fifteen percent (15%) of the unpaid portion price. The cancellation charges described in the preceding sentence are not a penalty or liquidated damages, but are in recognition of the lost opportunity cost to Seller. All changes to Orders must be submitted by Purchaser to Seller in writing and will not be effective unless and until Seller consents in writing to the change(s). Seller will advise Purchaser in writing of the price and/or delivery schedule impact, if any, of the change request. Seller will not be required to accept any changes without Purchaser's written acknowledgement of any price and/or delivery schedule adjustments, if any.

9. **Allocation.** Seller will not be required to sell a greater quantity of Goods than Seller or Seller's subcontractors has available or has allocated for this Agreement. If Seller is unable to supply the total demands for any Goods, Purchaser acknowledges and agrees that Seller may allocate its available supply among its customers in any manner Seller deems fair and equitable. **SELLER WILL NOT BE OBLIGATED UNDER ANY CIRCUMSTANCES TO PURCHASE GOODS FROM PARTIES OTHER THAN ITS DESIGNATED SUPPLIERS OR MANUFACTURES TO MEET PURCHASER'S DEMANDS, NOR WILL IT BE LIABLE FOR ANY DAMAGES OR CLAIMS ARISING THEREFROM.**

10. **Intellectual Property.** Except to the extent provided in a separate written agreement between Purchaser and Seller,

this Agreement will not be deemed to transfer, assign, or license any right, title, or interest in and to, any idea, invention, concept, discovery, work of authorship, patent, copyright, trademark, trade secret, know-how, formula, design, engineering drawing, device, compilations of information, manufacturing methods or processes, tooling or other intellectual property owned by a party or its third party licensors (collectively "**Intellectual Property**"). Notwithstanding the foregoing, each party hereby provides the other party with a limited, revocable, and royalty free license to such party's Intellectual Property solely to extent required for a party to perform its obligations under this Agreement. Purchaser will not use Seller's or its subcontractor's Intellectual Property, in whole or in part, to copy, redesign, reverse engineer, replicate or manufacture (or enable manufacture by itself or any third party) all or any portion of the Goods.

11. **Confidentiality.** All Intellectual Property, and all other confidential and proprietary information provided by a party (the "**Disclosing Party**") to another party (the "**Receiving Party**") under this Agreement including, without limitation, any samples, drawings, know-how, processes, and other technical, business, or financial information, whether provided orally, in writing, by demonstration, or otherwise (collectively, "**Confidential Information**"): (a) is owned by the Disclosing Party; (b) must be kept confidential by Receiving Party and may not be disclosed by Receiving Party to third parties without the express prior written consent of Disclosing Party; *provided, however,* Receiving Party may disclose Disclosing Party's Confidential Information to Receiving Party's employees, attorneys, agents, and subcontractors who have a "need to know" the Confidential Information for purposes of carrying out Receiving Party's obligations under this Agreement as long as such individual and entities are bound by confidentiality terms no less restrictive than those contained in this Agreement; and (c) may not be used by Receiving Party other than is required for Receiving Party to perform its obligations under this Agreement. The confidentiality restrictions in this Section 11 do not apply to information which is (i) already known by the Receiving Party prior to the date of this Agreement and without breach of the confidentiality restriction that the Receiving Party was subject; (ii) acquired by the Receiving Party from a third party which was not, to the knowledge of Receiving Party, under an obligation to the Disclosing Party not to disclose such information; (iii) which is or becomes publicly available through no breach by Receiving Party of confidentiality restrictions to which such Party is or was subject; or (iv) independently developed by the Receiving Party without the use of the Disclosing Party's Confidential Information. Notwithstanding the above, a Receiving Party may disclose Disclosing Party's Confidential Information if required by a judicial or government request, requirement, or order as long as (A) to the extent not prohibited by law, Receiving Party gives Disclosing Party written notice prior to such disclosure and (B) Disclosing Party only discloses that portion of Confidential Information required to comply with such requirement, request, or order. Upon the termination or expiration of this Agreement, Receiving Party agrees to return, or destroy (to the extent feasible), Disclosing Party's Confidential Information in Receiving Party's possession; provided, however, Receiving Party may retain one (1) copy of Confidential Information to the extent required to comply with any legal obligation as long as Receiving Party continues to comply with the provisions of this Agreement.

12. **Warranty.**

(a) **Seller Warranty.** Subject to the limitations set forth in this Agreement, and for a period of one (1) day following Seller's delivery of the Goods (the "**Warranty Period**"), Seller warrants to Purchaser (and not to any third party) the Goods will be free from significant defects in material and workmanship (the "**Seller Warranty**"); provided, however, (i) all Goods sold by Seller are manufactured by third party suppliers and manufactures and (ii) the Seller Warranty will be no greater than the warranties provided Seller's suppliers or manufacturer and apply only to the extent that Seller can recover from such third party on their applicable warranty (and Seller will use all commercially reasonable efforts to do so). Upon request, Seller will assign (to the extent assignable) any warranty provided by Seller's supplier or manufacturer to Purchaser. **THE SELLER WARRANTY IS IN LIEU OF ALL OTHER WARRANTIES, EITHER EXPRESS, STATUTORY OR IMPLIED, WHICH ARE HEREBY DISCLAIMED AND EXCLUDED BY SELLER, INCLUDING WITHOUT LIMITATION, ANY WARRANTY OF MERCHANTABILITY, FITNESS FOR A PARTICULAR PURPOSE OR USE, AND ALL OBLIGATIONS OR LIABILITIES ON THE PART OF SELLER FOR DAMAGES ARISING OUT OF OR IN CONNECTION WITH THE USE, REPAIR, OR PERFORMANCE OF THE GOODS.** No third party, including any employee or agent of Seller, is authorized to make any representation, promise, or warranty concerning the Goods and any statements made by those parties are not binding on Seller unless in writing signed by an authorized representative of Seller. Any technical advice furnished by Seller or its employees or agents is for Purchaser's convenience only and Seller assumes no obligation or liability for the advice given or the results obtained from that advice. A defect in one Good shall not be deemed a defect in all the Goods of a shipment unless each Good is shown to have a defect.

(b) **Warranty Claims.** In order to make a claim under the Seller Warranty, Purchaser must (i) notify Seller, in writing, of the alleged claim or defect and such writing must (A) set forth with specificity the nature of the defect in the Seller Warranty and (B) be delivered to Seller no later than ten (10) business days following Purchaser's discovery of the defect. Seller reserves the right to test or inspect the Goods to confirm the defect as a condition to any remedy under the Seller Warranty.

(c) **Exclusive Remedy. PURCHASER'S SOLE AND EXCLUSIVE REMEDY AGAINST SELLER, AND**

SELLER'S SOLE OBLIGATION FOR ANY AND ALL CLAIMS, WHETHER FOR BREACH OF CONTRACT, WARRANTY, TORT (INCLUDING NEGLIGENCE), OR OTHERWISE, SHALL BE LIMITED TO, AT SELLER'S OPTION, SELLER REPLACING THE NON-CONFORMING GOODS WITH CONFORMING GOODS, REPAIRING THE APPLICABLE GOODS, OR REFUNDING THE PURCHASE PRICE PAID BY PURCHASER TO SELLER FOR THE APPLICABLE GOODS. IN NO EVENT SHALL SELLER HAVE ANY LIABILITY FOR DAMAGES IN AN AMOUNT EXCEEDING THE PURCHASE PRICE OF THE APPLICABLE GOODS.

(d) Withdrawal of Goods. If Seller determines that any Goods sold to Purchaser may be defective, at Seller's request, Purchaser will withdraw all similar Goods from sale and, at Seller's option, either return such Goods to Seller or destroy the Goods and provide Seller with written certification of such destruction.

13. Limitation of Liability. **IN NO EVENT SHALL EITHER PARTY BE LIABLE TO THE OTHER PARTY OR ANY THIRD PARTY, WHETHER IN CONTRACT OR IN TORT OR UNDER ANY OTHER LEGAL THEORY, FOR (I) ANY SPECIAL, INDIRECT, INCIDENTAL, EXEMPLARY OR CONSEQUENTIAL LOSSES OR DAMAGES, INCLUDING, BUT NOT LIMITED TO, ANY DIRECT OR INDIRECT LOST PROFITS OR REVENUE REGARDLESS OF WHETHER SUCH LOSS OR DAMAGE WAS FORESEEABLE OR A PARTY WAS ADVISED OF THE POSSIBILITY OF SUCH POTENTIAL LOSS OR DAMAGE OR (II) ANY DIRECT DAMAGES IN AN AMOUNT EXCEEDING THE PRICE PAID OR PAYABLE FOR THE GOODS AT ISSUE; PROVIDED, HOWEVER, SELLER SHALL BE ENTITLED TO THE PRICE PAYABLE FOR THE GOODS AND THE FOREGOING SHALL NOT BE DEEMED TO LIMIT SELLER'S RIGHT TO SUCH PRICE EVEN IF SUCH PRICE INCLUDES SELLER'S PROFIT.**

14. Termination for Cause. Either party may terminate this Agreement for cause prior to expiration of the Term by providing written notice to the other party specifying the applicable date of termination, upon the occurrence of any one or more of the following events: (a) excluding payment obligations, a party materially breaches this Agreement and does not cure such breach within thirty (30) days after receipt of written notice of such breach; (b) a party fails to make any payment due to the other party under this Agreement on or before the due date; or (c) a party (i) becomes subject, voluntarily or involuntarily, to any proceeding under any domestic or foreign bankruptcy or insolvency law; (ii) is dissolved or liquidated or takes any corporate action for such purpose; (iii) makes a general assignment for the benefit of creditors; or (iv) has a receiver, trustee, custodian or similar agent appointed by order of any court of competent jurisdiction to take charge of or sell any material portion of its property or business. Any termination by a party pursuant to this Section 14 will not constitute a waiver of any of any rights or remedies under this Agreement or otherwise provided by law.

15. Indemnification. To the maximum extent allowed by law, Purchaser will defend, indemnify and hold harmless Seller and its present and future directors, officers, shareholders, members, employees, attorneys, agents, representatives, parents, affiliates, and subsidiaries from and against any and all claims, costs, demands, losses, indirect and direct damages (including lost profits, incidental, consequential, and punitive damages), liabilities, causes of action, judgments, settlements, awards, fines, penalties, assessments, and expenses (including costs of defense, mediation, settlement and reasonable attorneys' and other professionals' fees), however described or denominated, brought by any third party (including, Purchaser's employees, subcontractors, laborers, agents, and assigns) arising out of, incidental to, or resulting from (i) Purchaser's negligence, use, ownership, maintenance, transfer, transportation or disposal of Goods; (ii) any infringement or alleged infringement of the industrial and intellectual property rights of others arising from Purchaser's plans, specifications (including Purchaser's trademarks and brand names) or production of Goods ordered by Purchaser; (iii) any personal injury, bodily injury (including death), or property damages arising out of the use of the Goods; (iv) Purchaser's violation or alleged violation of any federal, state, county or local laws or regulations; (v) any negligent or willful act or omission of Purchaser or its respective subcontractors, agents, employees or other representatives; or (v) Purchaser's breach of this Agreement.

16. General Terms.

(a) Notices. All notices, claims and other communications to required or permitted under this Agreement will be made in writing and will be effective only upon receipt.

(b) Entire Agreement. This Agreement, including any attachments, exhibits or supplements attached hereto, and other matter incorporated herein by specific reference, constitutes the entire agreement between Seller and Purchaser with respect to the subject matter of this Agreement and supersedes all prior or contemporaneous oral or written discussions, understandings, representations and agreements.

(c) Subcontracting. Purchaser expressly agrees that Seller may subcontract all or part of the manufacture of the Goods to a thirty party subcontractor, supplier, or manufacturer and the manufacture of the Goods by such third party is not a breach of this

Agreement.

(d) Severability. If any clause in this Agreement is determined by a court of competent jurisdiction to be invalid, the invalidity of such clause shall not affect the validity of the remainder of this Agreement.

(e) Remedies. Except to the extent limited by this Agreement, the right and remedies reserved to a party under this Agreement are cumulative and in addition to all other rights and remedies provided by law or equity.

(f) Assignment. Purchaser may not assign this Agreement or assign or delegate it rights or obligations under this Agreement without Seller's prior written consent. Any purported assignment in violation of this Section will be null and void and of no force or effect.

(g) Governing Law; Venue. This Agreement, and all related documents and matters arising out of or relating to this Agreement, are governed by, and will be construed in accordance with, the laws of the State of Michigan, without regard to any conflict of law provisions. The United Nations Convention on Contracts for the International Sale of Goods is expressly excluded from applying to this Order. Purchaser and Seller each irrevocably and unconditionally agree that the sole and exclusive forum, venue, and jurisdiction for any legal or equitable action or proceeding arising out of or in connection with this Agreement will lie in the United States District Court for the Western District of Michigan, the courts in the State of Michigan sitting in Kent County, and any appellate court with jurisdiction over such courts. The parties hereby irrevocably and unconditionally (i) waive any objection which it may have or hereafter have to the laying of the venue of any such suit, action or proceeding and any claim that any such suit, action or proceeding has been brought in an inconvenient forum including, without limitation, any defense of *forum non conveniens*, international comity, or any other defense based on the location of the parties and (ii) submits to the sole and exclusive personal jurisdiction of such courts. To the extent Purchaser is located outside of the United States of America, Purchaser agrees that any breach of this Agreement and any resulting injury will be deemed to occur in the State of Michigan, United States of America.

(h) Relationship of Parties. Seller and Purchaser are independent contracting parties and nothing in this Agreement will make either party the agent or legal representative of the other for any purpose, nor does it grant either party any authority to assume or to create any obligation on behalf of or in the name of the other.

(i) No Third Party Beneficiary. Except as otherwise provided in this Agreement, the parties agree that the rights and interests of the parties under this Agreement are intended to solely benefit Seller and Purchaser.

(j) Interpretation. For purposes of this Agreement (i) whenever the word "including" (or any variation thereof) is used, it is deemed to be followed by the words "without limitation;" (ii) the word "or" is not exclusive; (iii) section headings are for convenience or reference only, and do not affect the meaning of this Agreement; and (iv) any agreement, instrument, statute, law, regulation or rule defined or referred to herein shall be deemed to mean such agreement, instrument, statute, law, regulation or rule as from time to time amended, modified or supplemented, and includes, in the case of agreements and instruments, references to all attachments thereto and instruments incorporated therein. Both Purchaser and Seller are experienced in business and had the opportunity to have this Agreement reviewed by counsel. Accordingly, no provision in this Agreement may be construed against either Purchaser or Seller as the drafting party.

(k) Survival. To the extent that any provisions of this Agreement are meant to remain valid after this Agreement has terminated, expired or otherwise ended, such provisions have continued validity even after termination.

(l) CONSULTATION WITH COUNSEL. PURCHASER AND SELLER ACKNOWLEDGE THAT THEY HAVE BEEN GIVEN THE OPPORTUNITY TO CONSULT WITH COUNSEL OF THEIR CHOICE BEFORE ENTERING INTO THIS AGREEMENT AND ARE DOING SO WITHOUT DURESS, INTIMIDATION, OR COERCION AND WITHOUT RELIANCE UPON ANY REPRESENTATIONS, WARRANTIES, OR COMMITMENTS OTHER THAN THOSE REPRESENTATIONS, WARRANTIES, OR COMMITMENTS SET FORTH IN THIS AGREEMENT.

(m) JURY TRIAL WAIVER. PURCHASER AND SELLER ACKNOWLEDGE THAT THE RIGHT TO TRIAL BY JURY IS A CONSTITUTIONAL ONE, BUT THAT IT MAY BE WAIVED. EACH OF PURCHASER AND SELLER, AFTER CONSULTING (OR HAVING THE OPPORTUNITY TO CONSULT) WITH COUNSEL OF ITS CHOICE, KNOWINGLY, VOLUNTARILY AND INTENTIONALLY WAIVES ANY RIGHT TO TRIAL BY JURY IN ANY ACTION OR OTHER LEGAL PROCEEDING ARISING OUT OF OR RELATING TO THIS AGREEMENT OR ANY OTHER DOCUMENT PERTAINING TO THIS AGREEMENT.

End of ROAD EQUIPMENT Parts Center Terms and Conditions of Sale



ROAD EQUIPMENT PARTS CENTER



APPLETON, WI
800.688.8007



BUTLER, WI
800.688.8006



CADILLAC, MI
800.968.9563



GRAND RAPIDS, MI
800.968.4781



HAMMOND, IN
800.737.8731



LANSING, MI
800.968.7510



PORTAGE, MI
800.748.0580



SOUTH BEND, IN
800.968.5235

